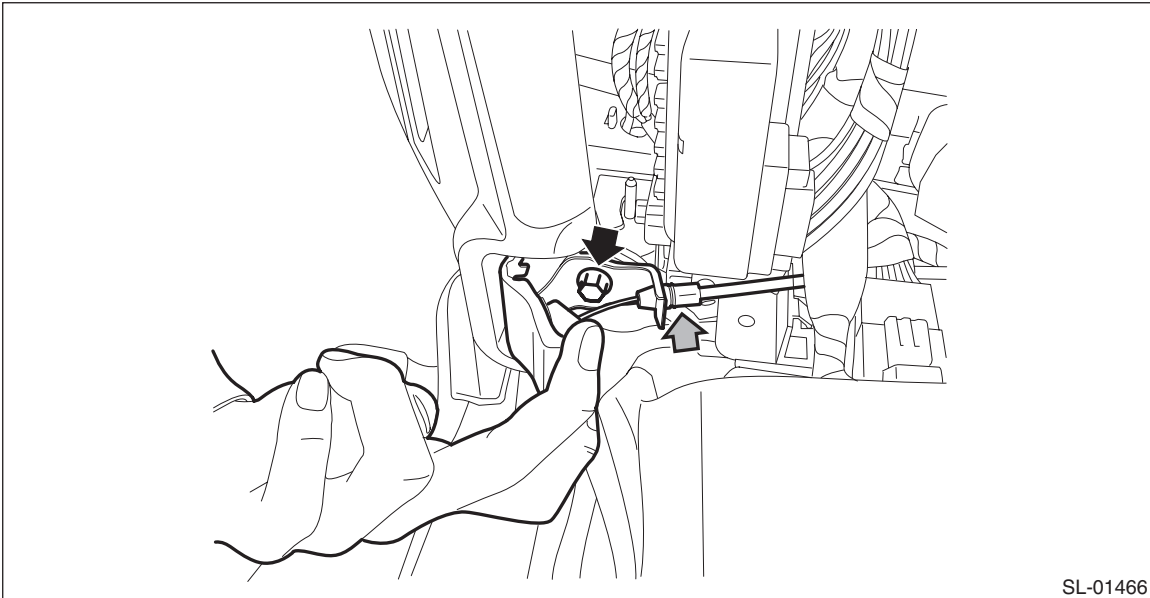


16. Remote Openers

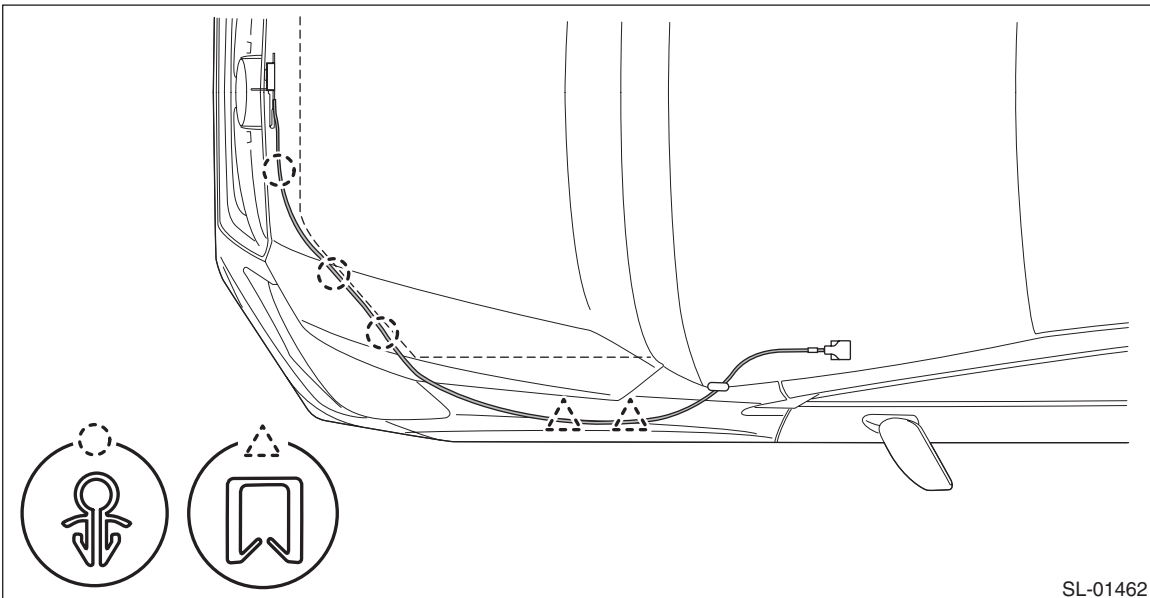
A: REMOVAL

1. FRONT HOOD OPENER

- 1) Remove the opener handle.
 - (1) Remove the cable.
 - (2) Remove the bolt, and remove the opener handle.



- 2) Remove the following parts and remove the cable clip and cable.
 - Lock assembly - front hood: <Ref. to SL-52, REMOVAL, Front Hood Lock Assembly.>
 - Cover assembly - instrument panel LWR driver: <Ref. to EI-65, REMOVAL, Instrument Panel Lower Cover.>

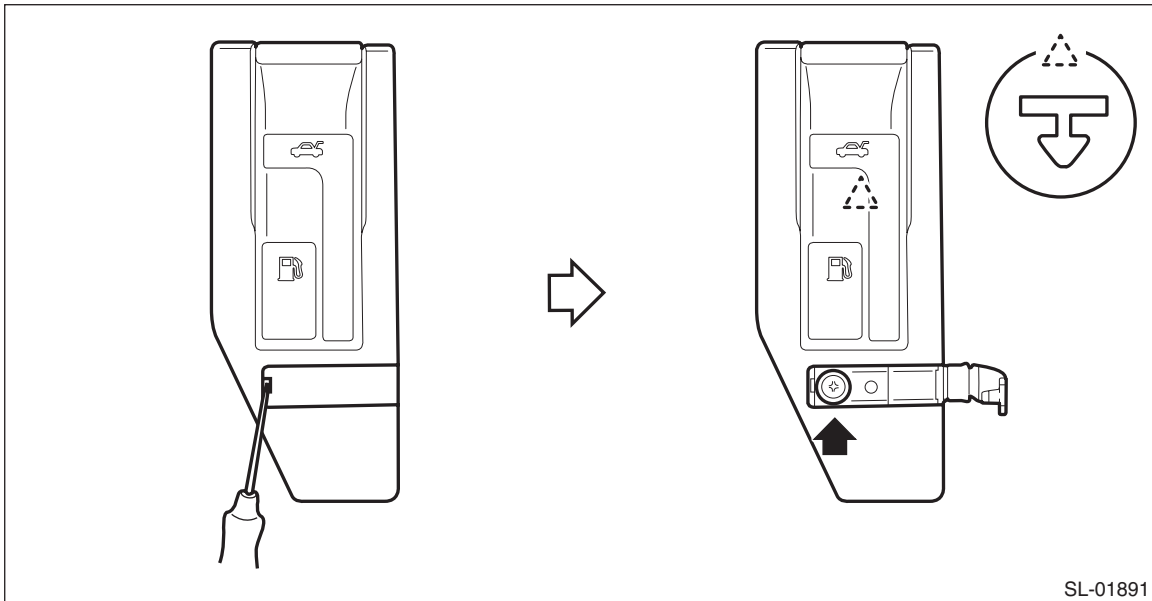


Remote Openers

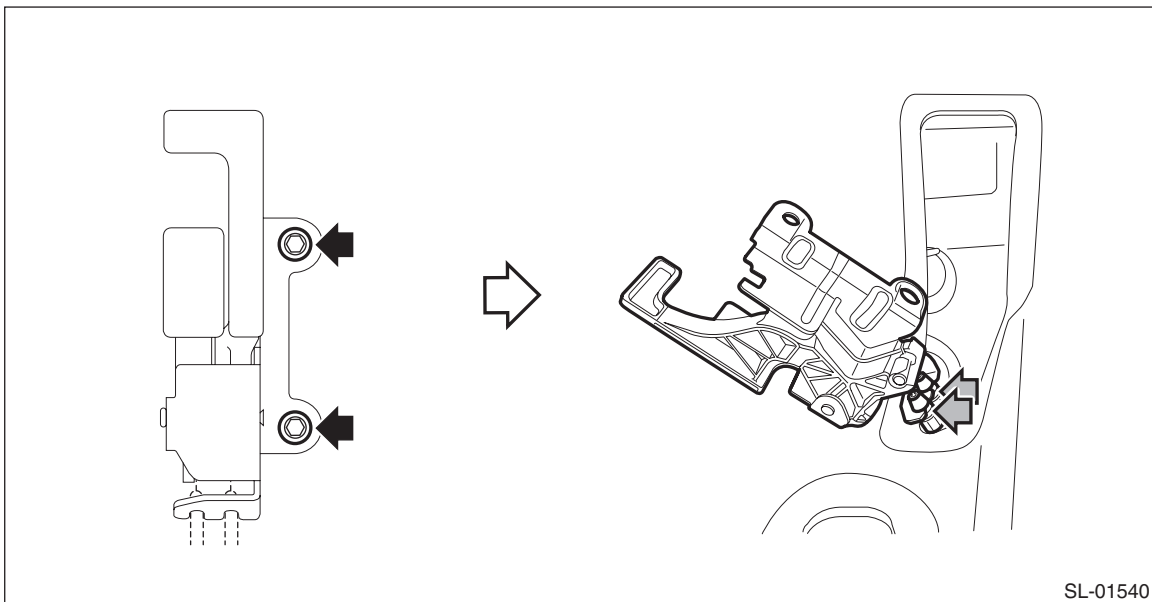
SECURITY AND LOCKS

2. TRUNK LID OPENER

- 1) Remove the cover - handle.
 - (1) Open the cover by using a flat tip screwdriver.
 - (2) Remove the screws and detach the cover - handle.

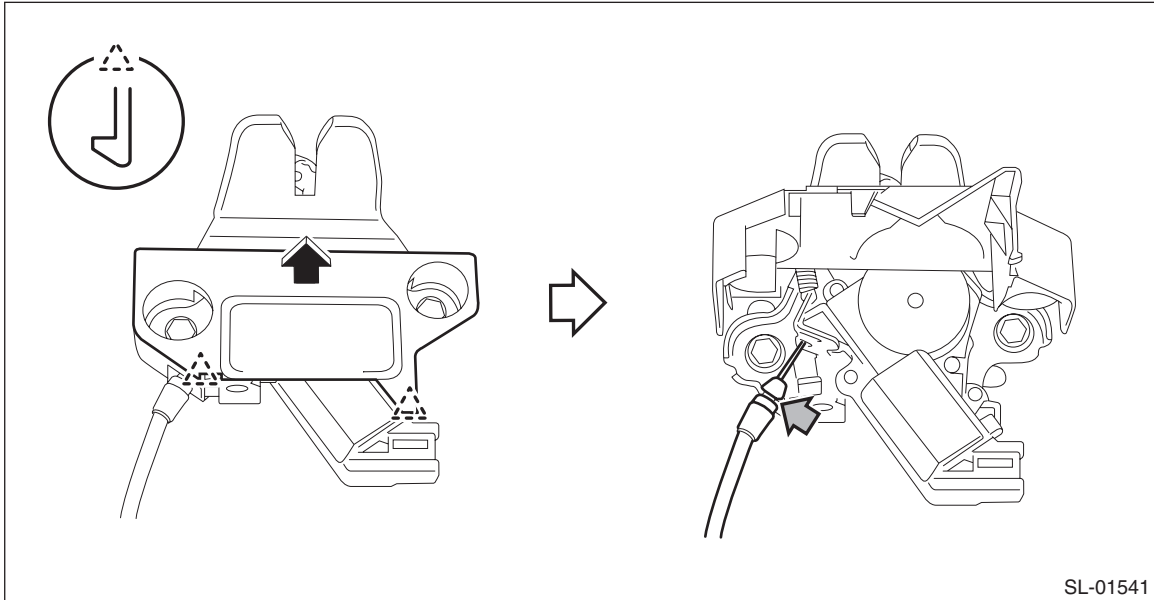


- 2) Remove the pull handle - opener.
 - (1) Remove the nut.
 - (2) Remove the cable from pull handle - opener.

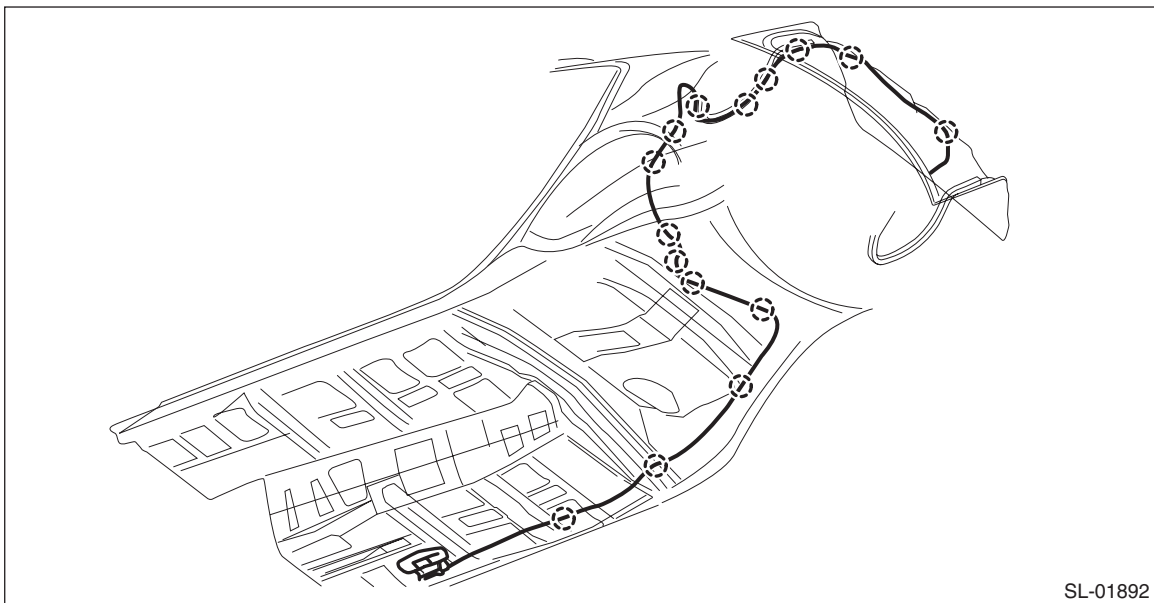


- 3) Remove the trim panel - trunk side RH. <Ref. to EI-117, TRUNK ROOM TRIM, REMOVAL, Trunk Room Trim.>
- 4) Remove the lower inner trim. <Ref. to EI-95, REMOVAL, Lower Inner Trim.>
- 5) Remove the trim panel - trunk lid. <Ref. to EI-117, TRUNK LID TRIM, REMOVAL, Trunk Room Trim.>

6) Disconnect the cable from the lock assembly - trunk lid.



7) Remove the cable clip, and remove the cable.



Remote Openers

SECURITY AND LOCKS

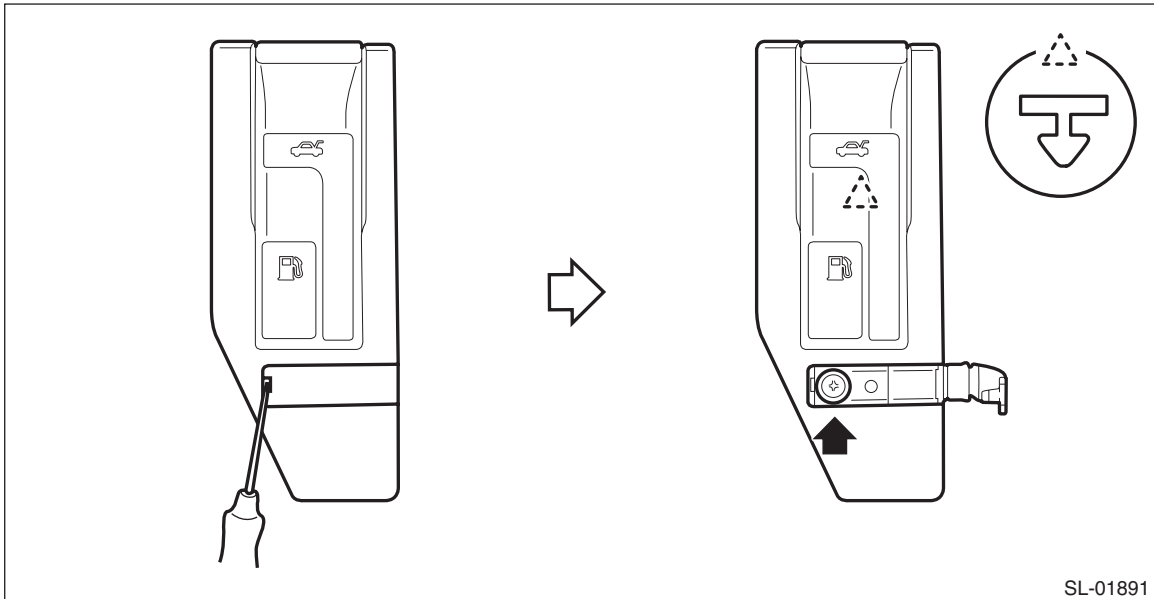
3. FUEL FLAP OPENER

1) Remove the cover - handle.

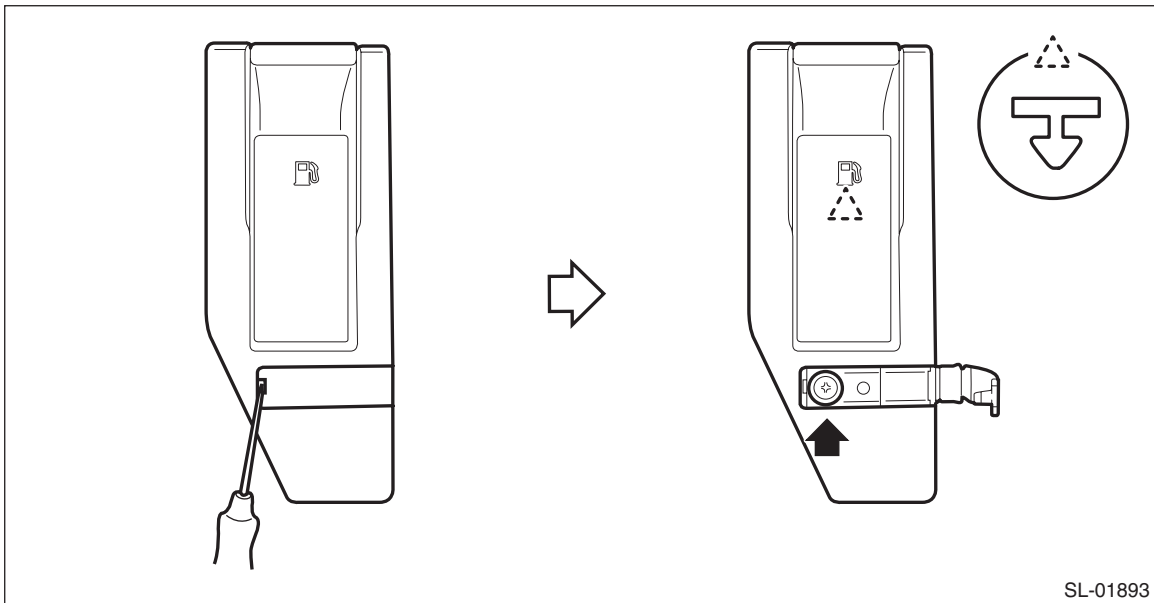
(1) Open the cover by using a flat tip screwdriver.

(2) Remove the screws and detach the cover - handle.

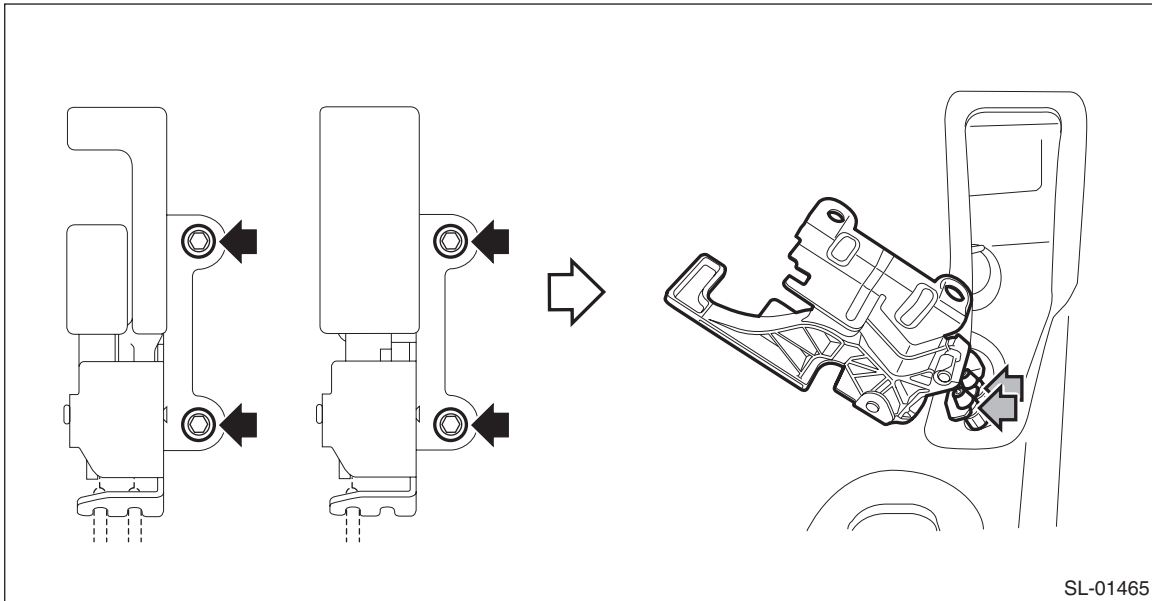
- 4 door model



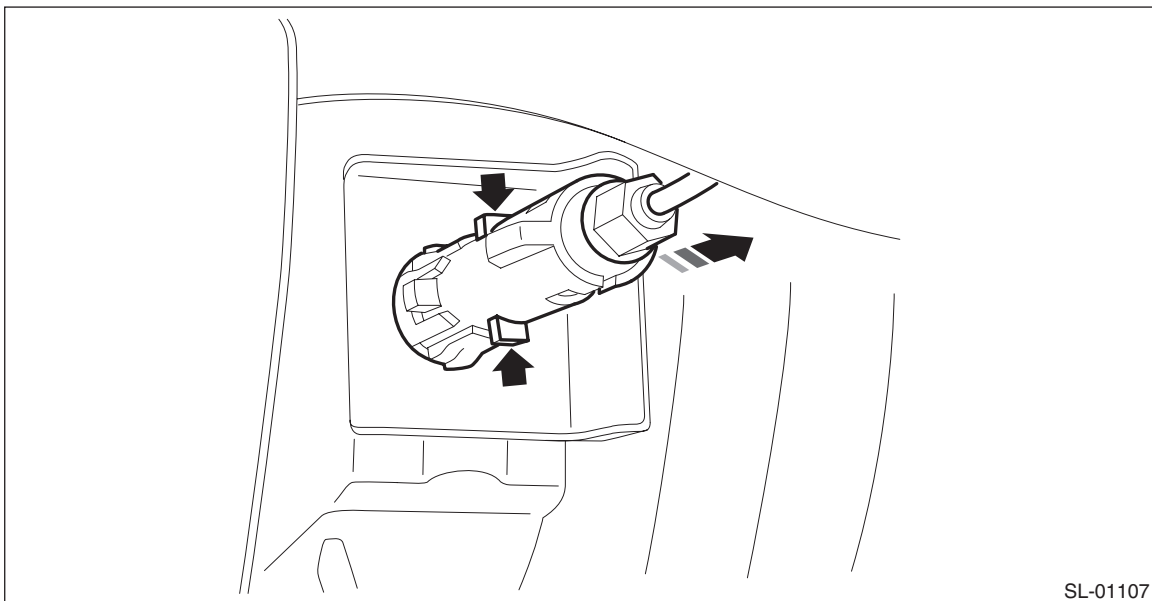
- 5 door model/XV model



- 2) Remove the pull handle - opener.
 - (1) Remove the nut.
 - (2) Remove the cable from pull handle - opener.



- 3) Remove the trim panel - trunk side RH. (4 door model) <Ref. to EI-117, TRUNK ROOM TRIM, REMOVAL, Trunk Room Trim.>
- 4) Remove the trim panel - rear apron RH. (5 door model/XV model) <Ref. to EI-108, 5 DOOR MODEL/XV MODEL, REMOVAL, Rear Quarter Trim.>
- 5) Remove the fuel lock inside the quarter panel.
 - (1) Press the claws of the fuel lock.
 - (2) While keeping the condition in step (1), pull the fuel lock to the rearward of the vehicle.



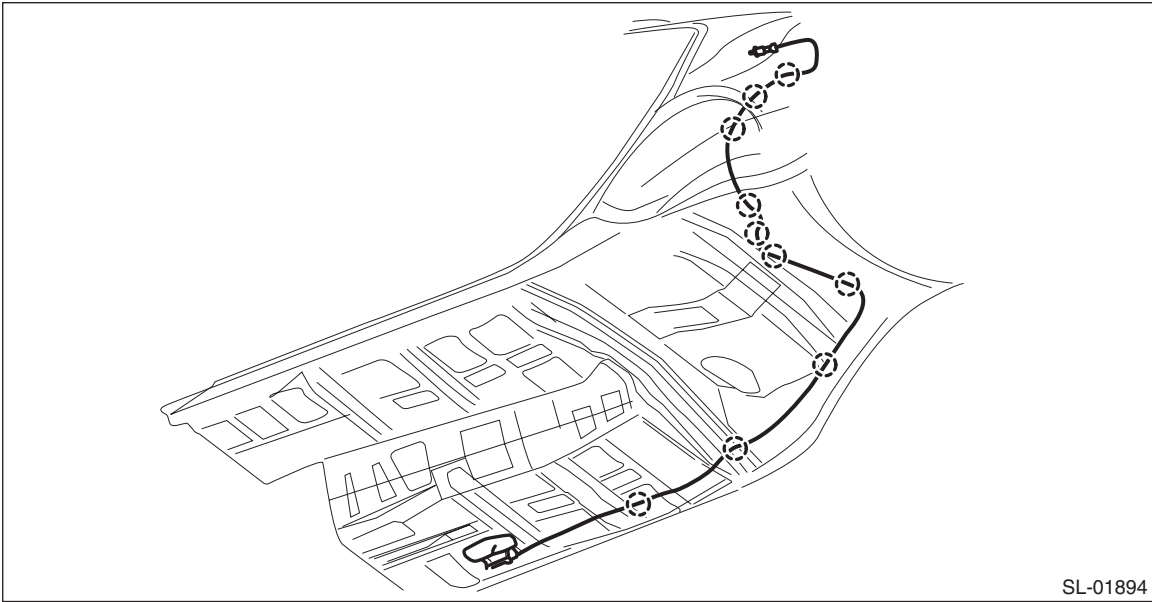
- 6) Remove the lower inner trim. <Ref. to EI-95, REMOVAL, Lower Inner Trim.>

Remote Openers

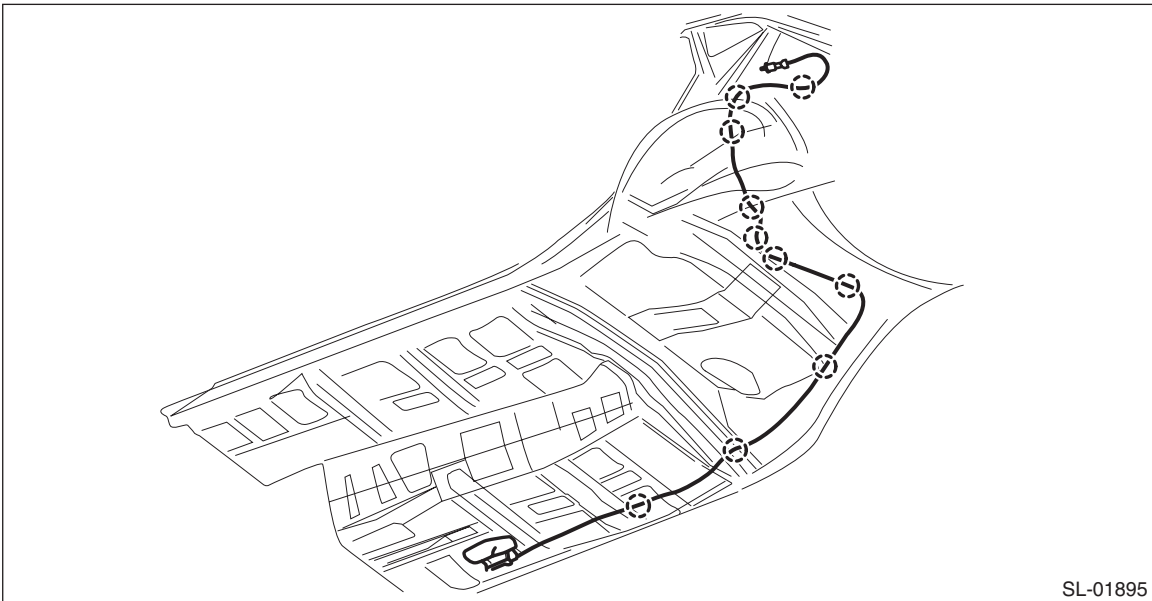
SECURITY AND LOCKS

7) Remove the cable clip, and remove the cable.

- 4 door model



- 5 door model/XV model



B: INSTALLATION

1) Before installation, check the following items.

- Cable is free from deformation such as fray.

2) Install each part in the reverse order of removal.

Tightening torque:

Front hood lock: <Ref. to SL-4, FRONT HOOD LOCK, COMPONENT, General Description.>

Remote opener: <Ref. to SL-5, REMOTE OPENER, COMPONENT, General Description.>

C: INSPECTION

Check if the front hood and fuel flap operate normally.