

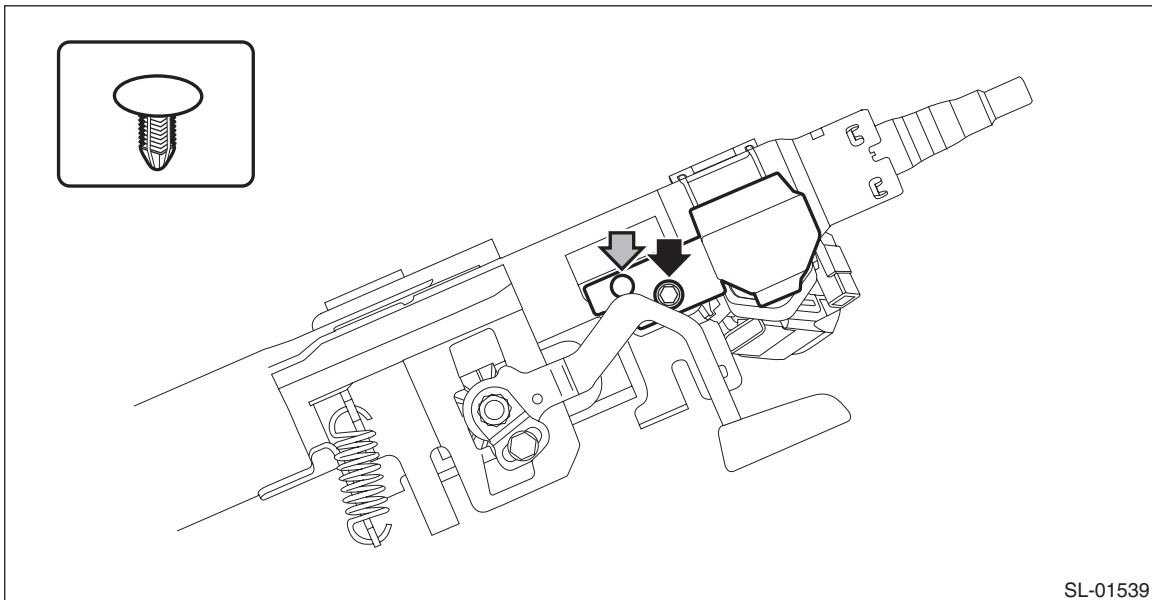
17. Ignition Key Lock

A: REPLACEMENT

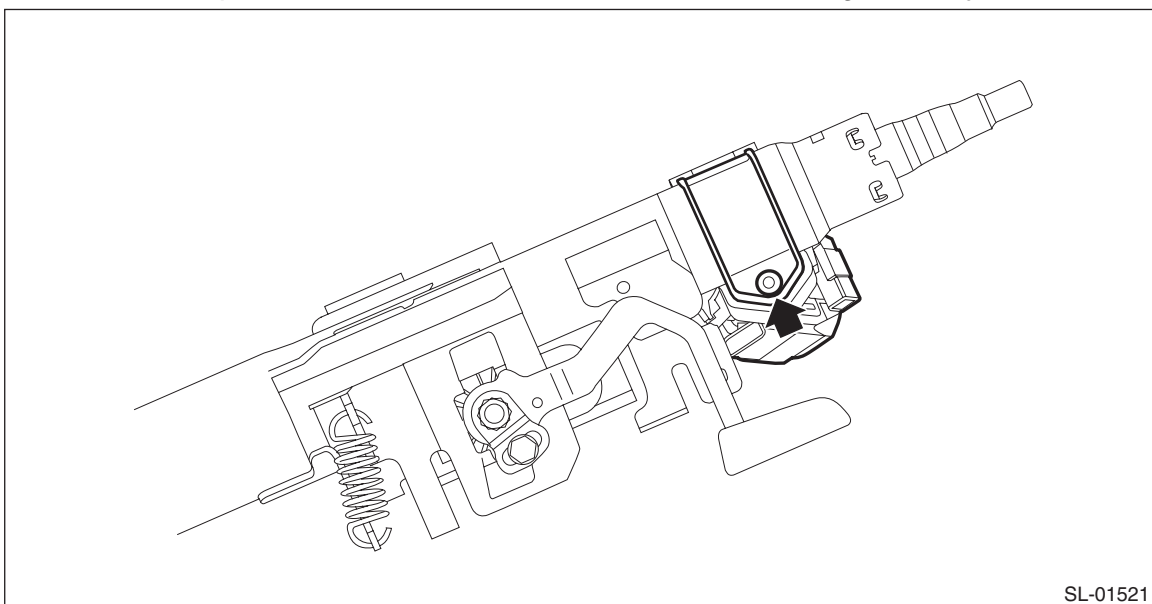
CAUTION:

- Before handling the airbag module, refer to “CAUTION” of “General Description” in “AIRBAG SYSTEM”. <Ref. to AB-11, CAUTION, General Description.>
- If the steering wheel and steering angle sensor (steering roll connector) are removed, perform “VDC sensor midpoint setting mode” of the VDC. <Ref. to VDC-19, VDC SENSOR MIDPOINT SETTING MODE, ADJUSTMENT, VDC Control Module and Hydraulic Control Unit (VDCCM&H/U).>

- 1) Disconnect the ground cable from battery.
- 2) Remove the column assembly - steering. <Ref. to PS-18, REMOVAL, Steering Column.>
- 3) Remove the ignition key lock.
 - (1) Secure the column assembly - steering in a vise.
 - (2) Remove the bolts and clips, and remove the dynamic damper.



- (3) Use the reverse tap or drill to remove the set bolt and remove the ignition key lock.



- 4) Install the ignition key lock.
 - (1) Secure the ignition key lock to the column assembly - steering.
 - (2) Use new set bolts. Tighten the bolt until the bolt head is broken (bolt head wrenched off).

Ignition Key Lock

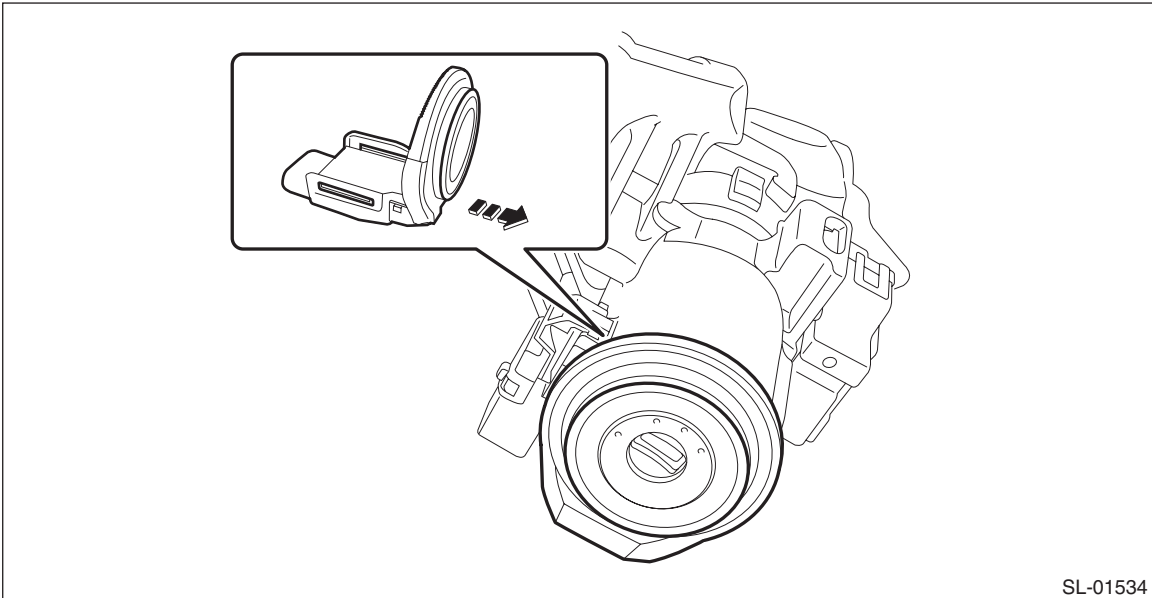
SECURITY AND LOCKS

B: DISASSEMBLY

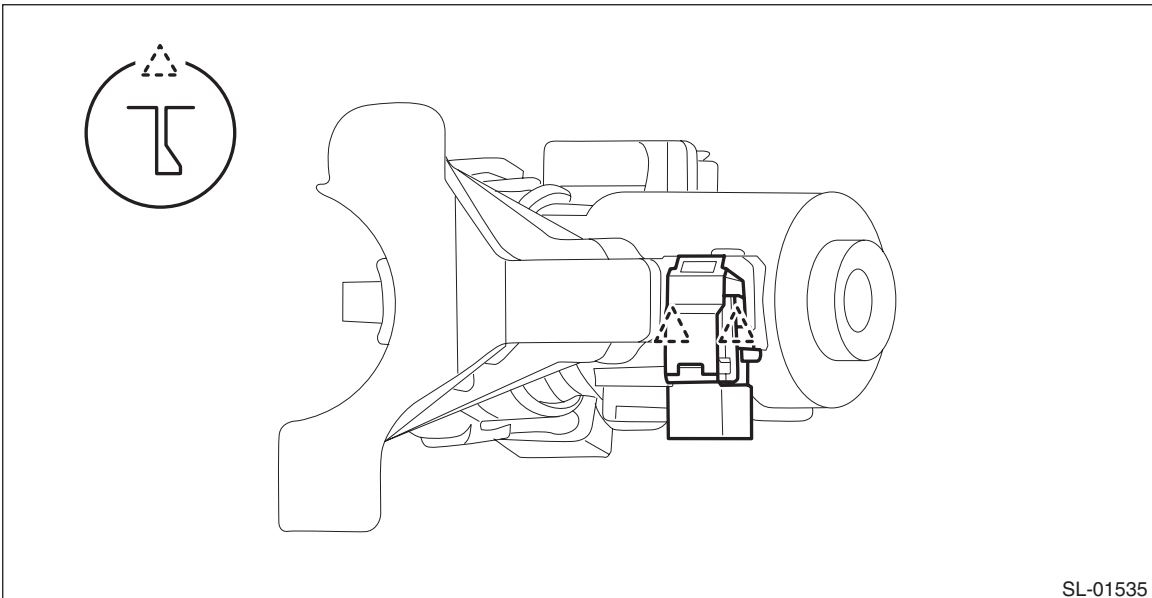
1) Remove the immobilizer antenna assembly.

CAUTION:

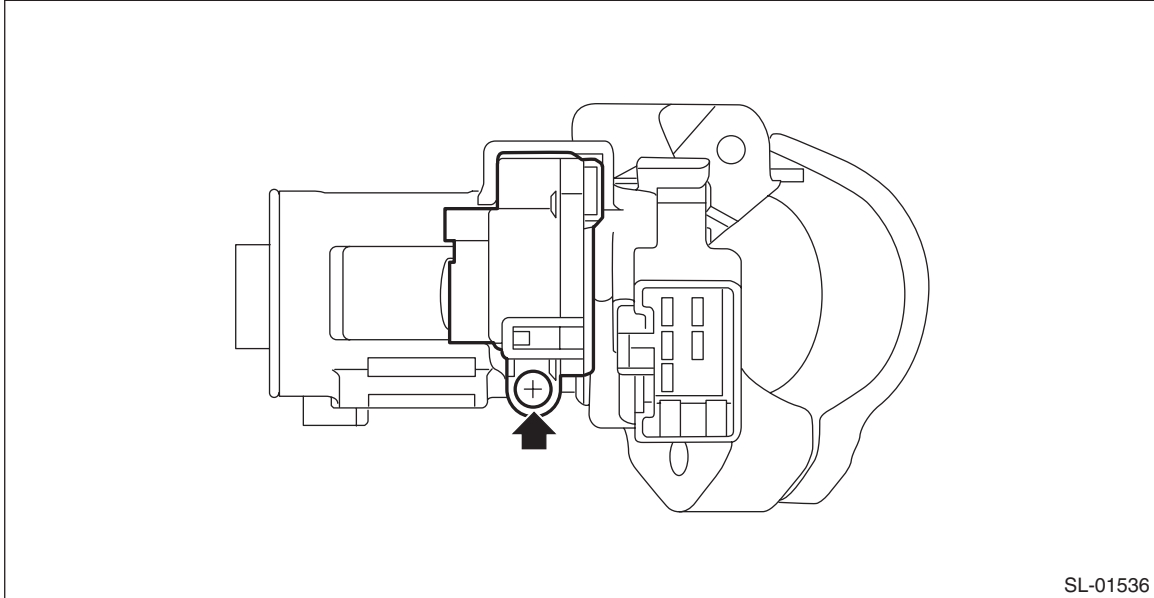
Do not apply excessive force to remove the immobilizer antenna and lock. Otherwise they may be broken because those parts are the products made of a plastic.



2) Release the claws, and pull the key warning switch downwards to remove.



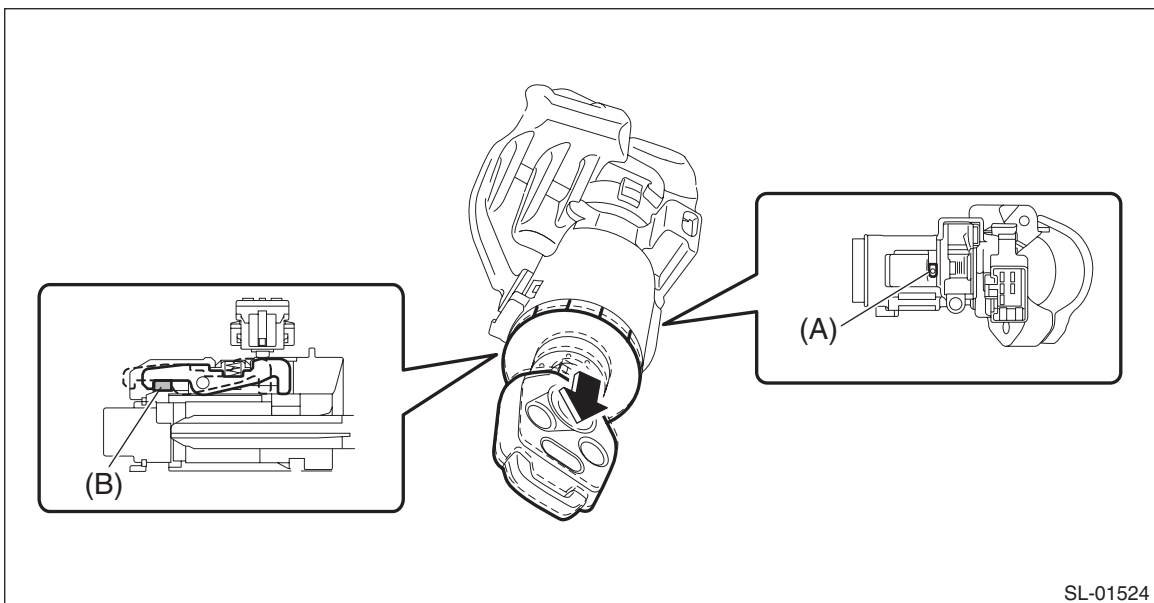
3) Remove the screws and remove the key lock solenoid.



4) Replace the key cylinder.

(1) Insert the key into the key cylinder, and turn the key to the ACC position.

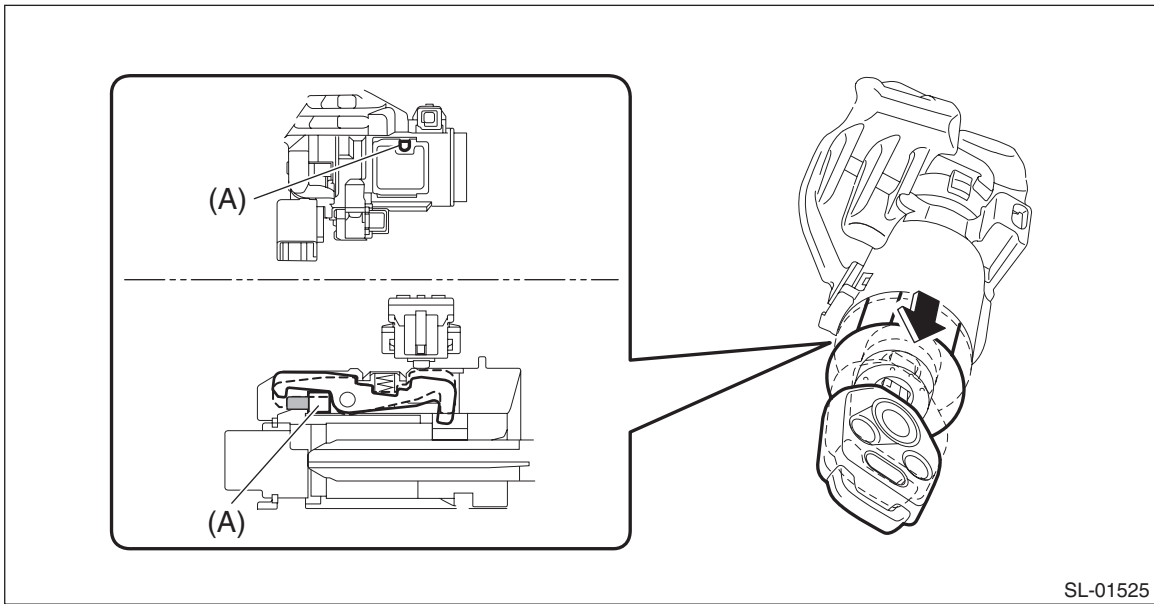
(2) Insert a flat tip screwdriver from the steering lock frame hole (A), and pull the key cylinder until the key cylinder claws touch the steering lock frame stopper (B).



Ignition Key Lock

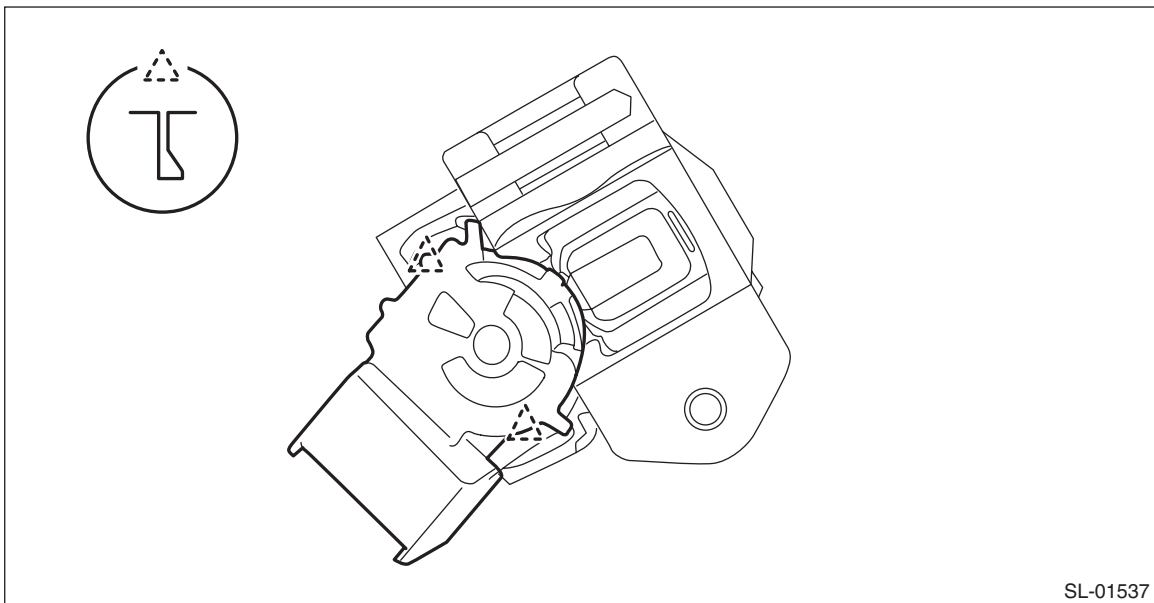
SECURITY AND LOCKS

(3) Insert a flat tip screwdriver from the steering lock frame hole (A), and release the claws to pull out the key cylinder.



SL-01525

5) Release the claws and remove the ignition switch assembly.



SL-01537

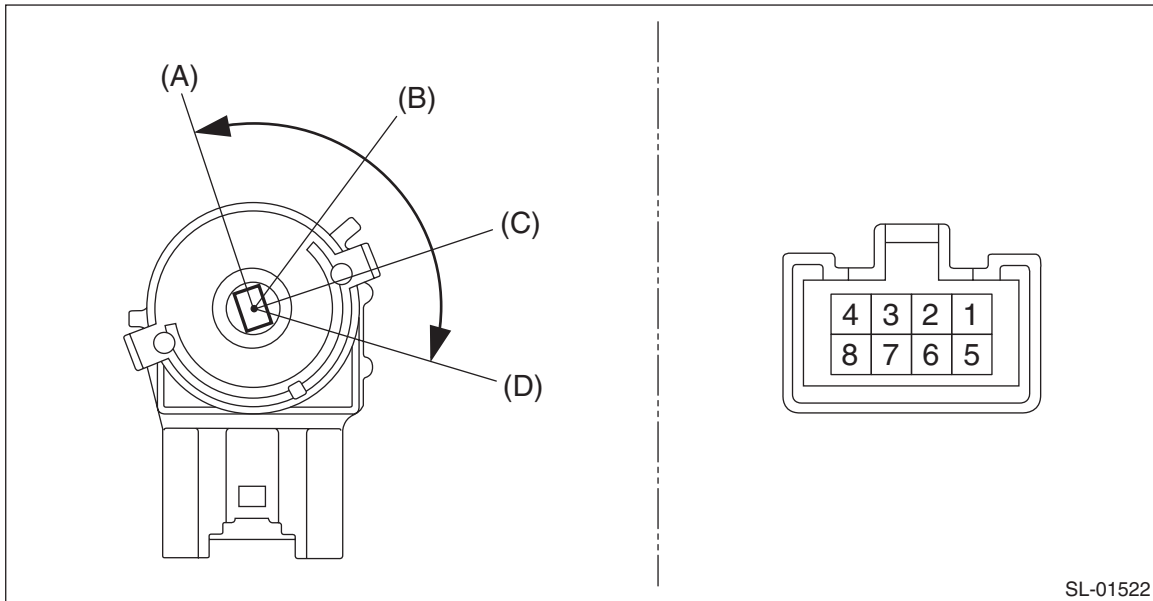
C: INSPECTION

UNIT INSPECTION

PREPARATION TOOL:

Circuit tester

1) Check the resistance between switch terminals.



| Terminal No. | Inspection conditions | | Standard |
|------------------------|-----------------------|------|----------------------|
| Between all terminals | (A) | LOCK | 1 M Ω or more |
| 2 — 4 | (B) | ACC | Less than 1 Ω |
| 1 — 2 — 4 5 — 6 | (C) | ON | Less than 1 Ω |
| 1 — 3 — 4 5 — 6 — 7 | (D) | ST | Less than 1 Ω |

2) Replace the ignition switch assembly if the inspection result is not within the standard.