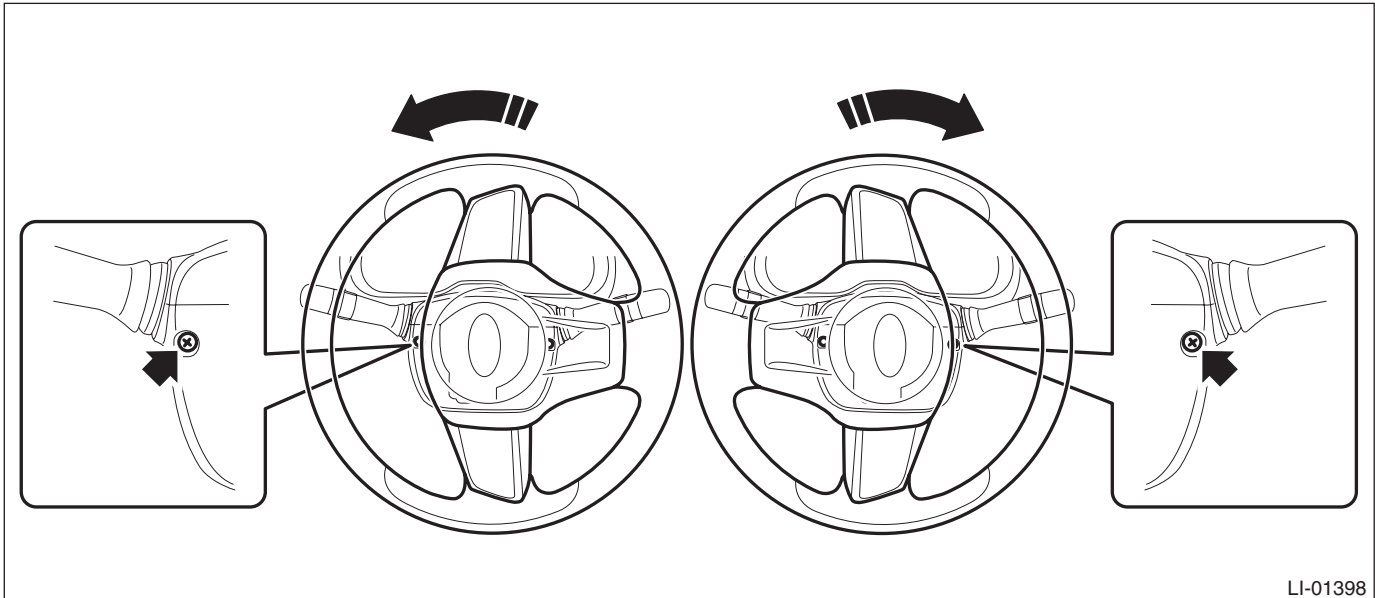


26. Immobilizer Antenna

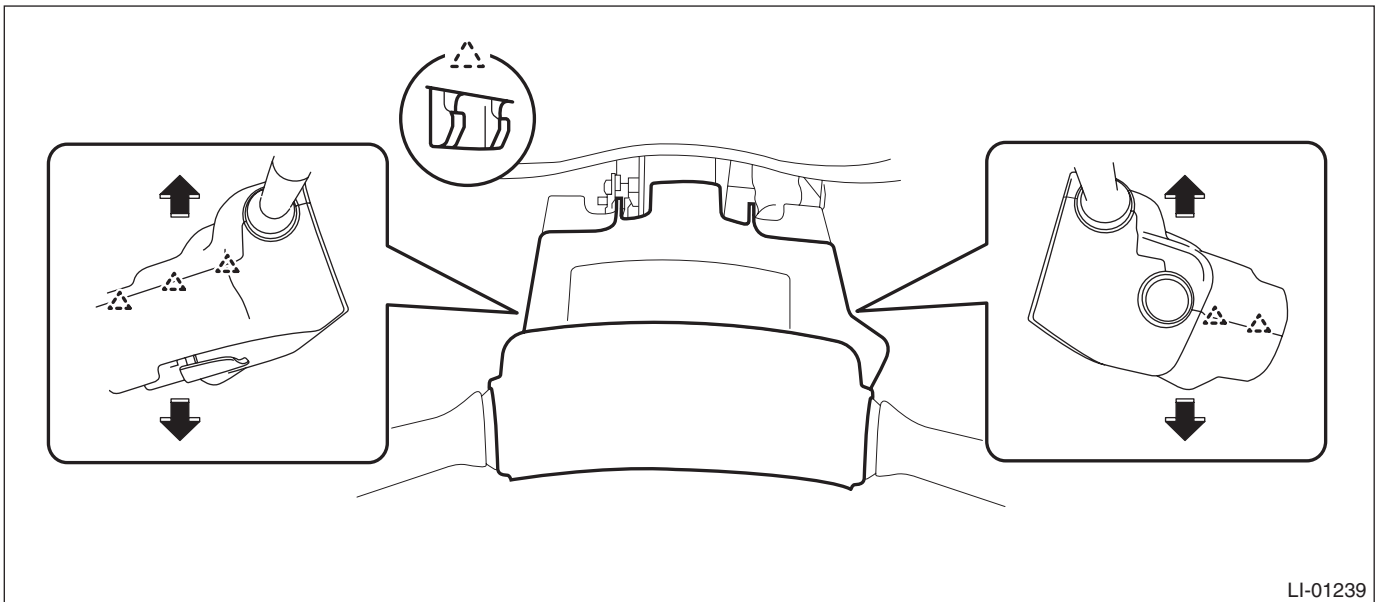
A: REMOVAL

- 1) Disconnect the ground cable from battery.
- 2) Remove the cover assembly - column.
 - (1) Remove the screws by turning the steering wheel to right and left.



LI-01398

- (2) Release the claw, and remove the cover assembly - column UPR and the cover assembly - column LWR.



LI-01239

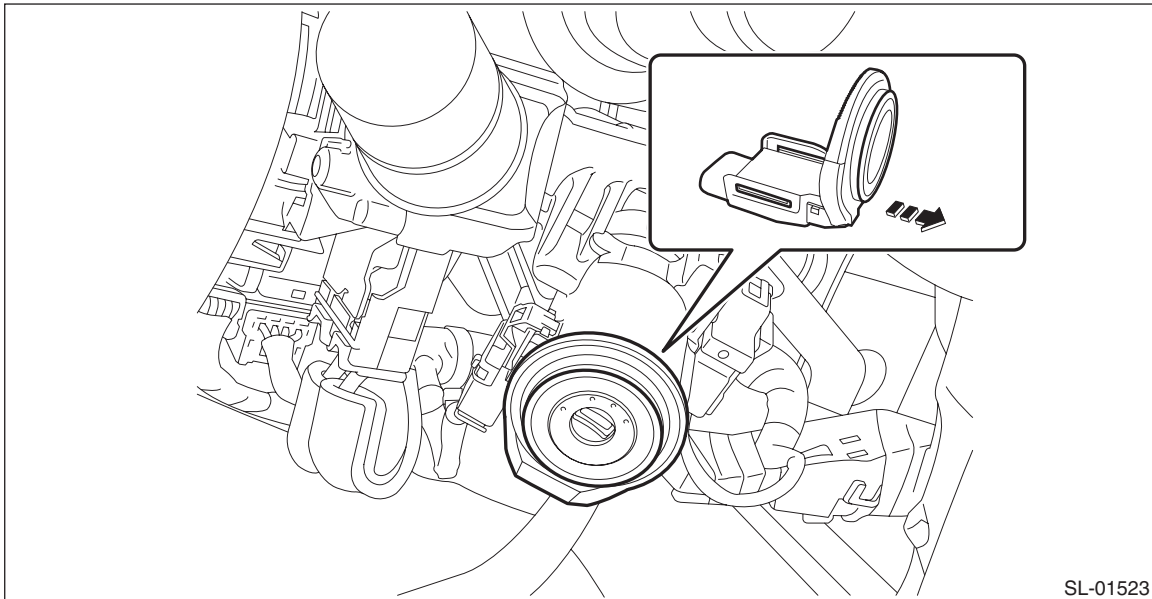
Immobilizer Antenna

SECURITY AND LOCKS

3) Disconnect the connector and remove the immobilizer antenna assembly.

CAUTION:

Do not apply excessive force to remove the immobilizer antenna and lock. Otherwise they may be broken because those parts are the products made of a plastic.



SL-01523

B: INSTALLATION

Install each part in the reverse order of removal.

SUNROOF/T-TOP/CONVERTIBLE TOP (SUNROOF)

SR

	Page
1. General Description	2
2. Relay and Fuse	4
3. Sunroof Control System	5
4. Glass Lid	7
5. Sunroof Assembly	12
6. Sunroof Motor	18
7. Sunroof Switch	20
8. Sunshade	23