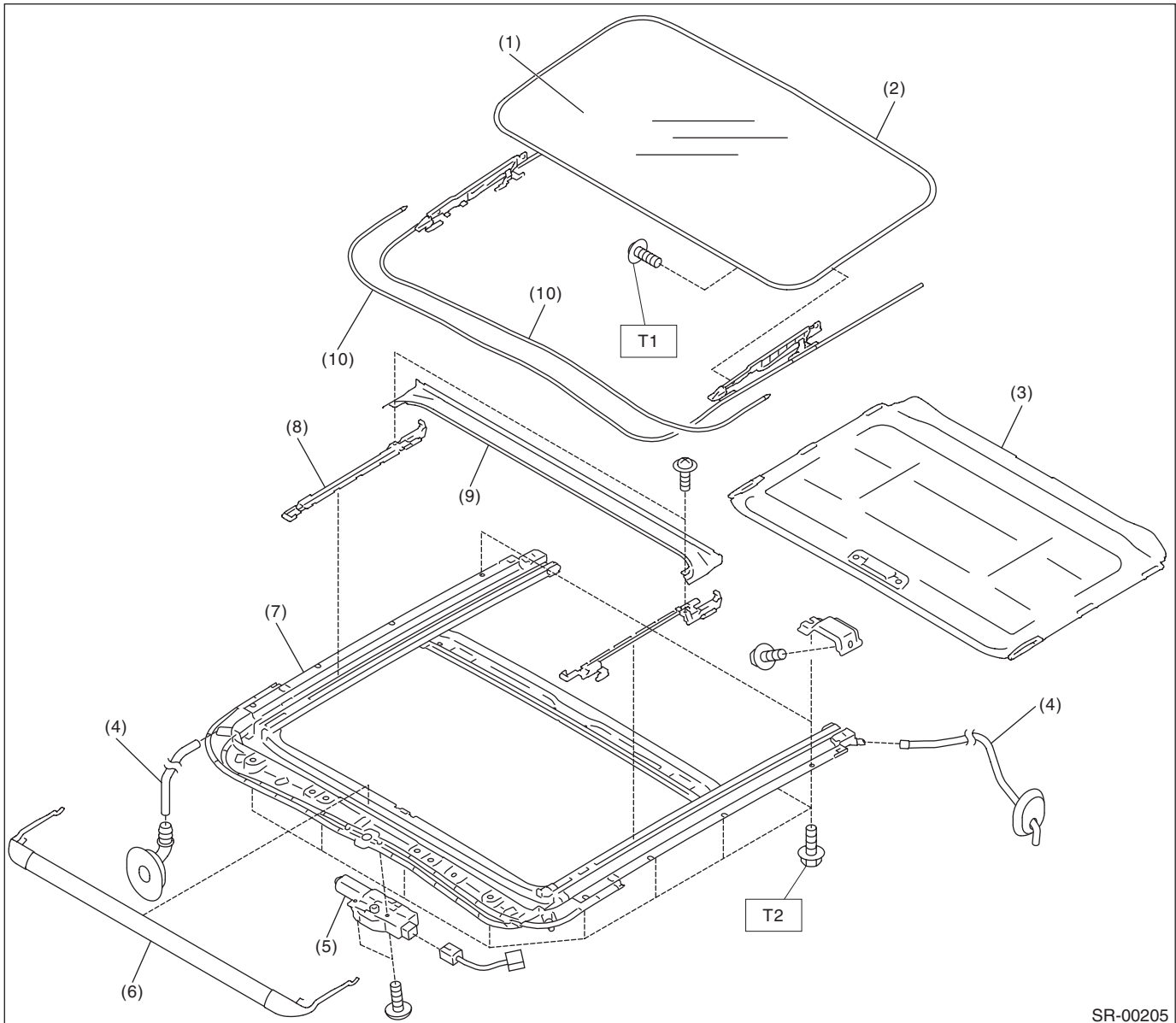


General Description

SUNROOF/T-TOP/CONVERTIBLE TOP (SUNROOF)

1. General Description

A: COMPONENT



- | | |
|--------------------------|------------------------------|
| (1) Lid ASSY - sunroof | (6) Deflector ASSY - sunroof |
| (2) Weather strip | (7) Rail ASSY - sunroof |
| (3) Sunshade ASSY | (8) Link - drain sunroof |
| (4) Drain tube - sunroof | (9) Drain ASSY - sunroof |
| (5) Motor ASSY - sunroof | (10) Cable ASSY |

Tightening torque: N-m (kgf-m, ft-lb)

T1: 4.5 (0.46, 3.3)

T2: 6.0 (0.61, 4.4)

General Description

SUNROOF/T-TOP/CONVERTIBLE TOP (SUNROOF)

B: CAUTION

- Before disassembling or reassembling parts, always disconnect the battery ground cable from battery. When replacing the audio, control module and other parts provided with memory functions, record the memory contents before disconnecting the battery ground cable. Otherwise, the memory is cleared.
- Reassemble the parts in the reverse order of disassembly unless otherwise indicated.
- Adjust parts to the given specifications.
- Connect the connectors securely during reassembly.
- After reassembly, make sure that the each component operates normally.

C: PREPARATION TOOL

1. GENERAL TOOL

TOOL NAME	REMARKS
Circuit tester	Used for measuring resistance and voltage.
Hexagon wrench	Used for forcibly driving the motor assembly - sunroof. Width across flat 4 mm (0.16 in)
TORX® T25	Used for removing and installing the lid assembly - sunroof.