

General Description

EMISSION CONTROL (AUX. EMISSION CONTROL DEVICES)

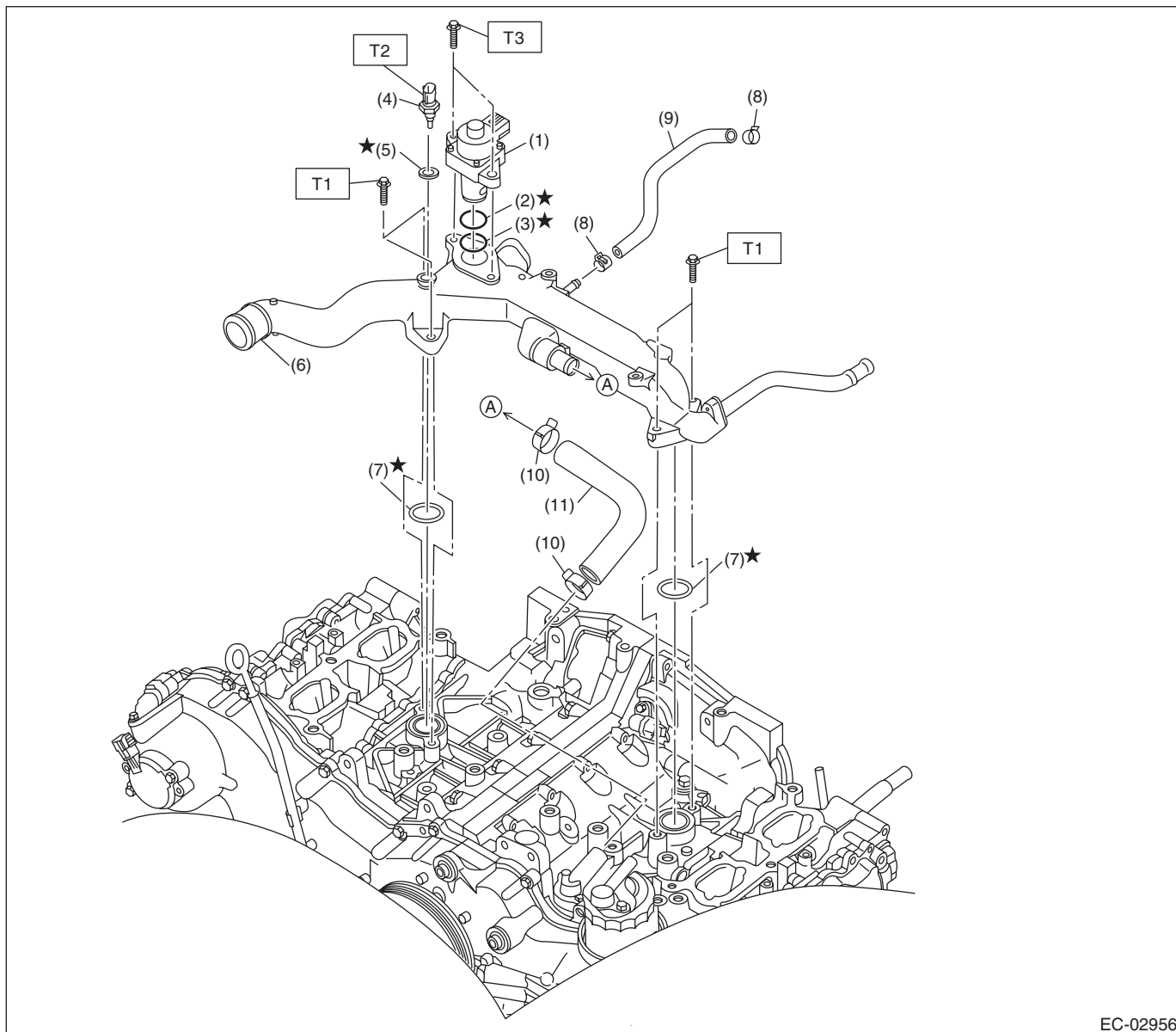
1. General Description

A: COMPONENT

1. CANISTER, LEAK CHECK VALVE ASSEMBLY AND DRAIN SEPARATOR

For structures of the canister, leak check valve assembly and drain separator, refer to FU (H4DO). <Ref. to FU(H4DO)-3, COMPONENT, General Description.>

2. EGR SYSTEM 1



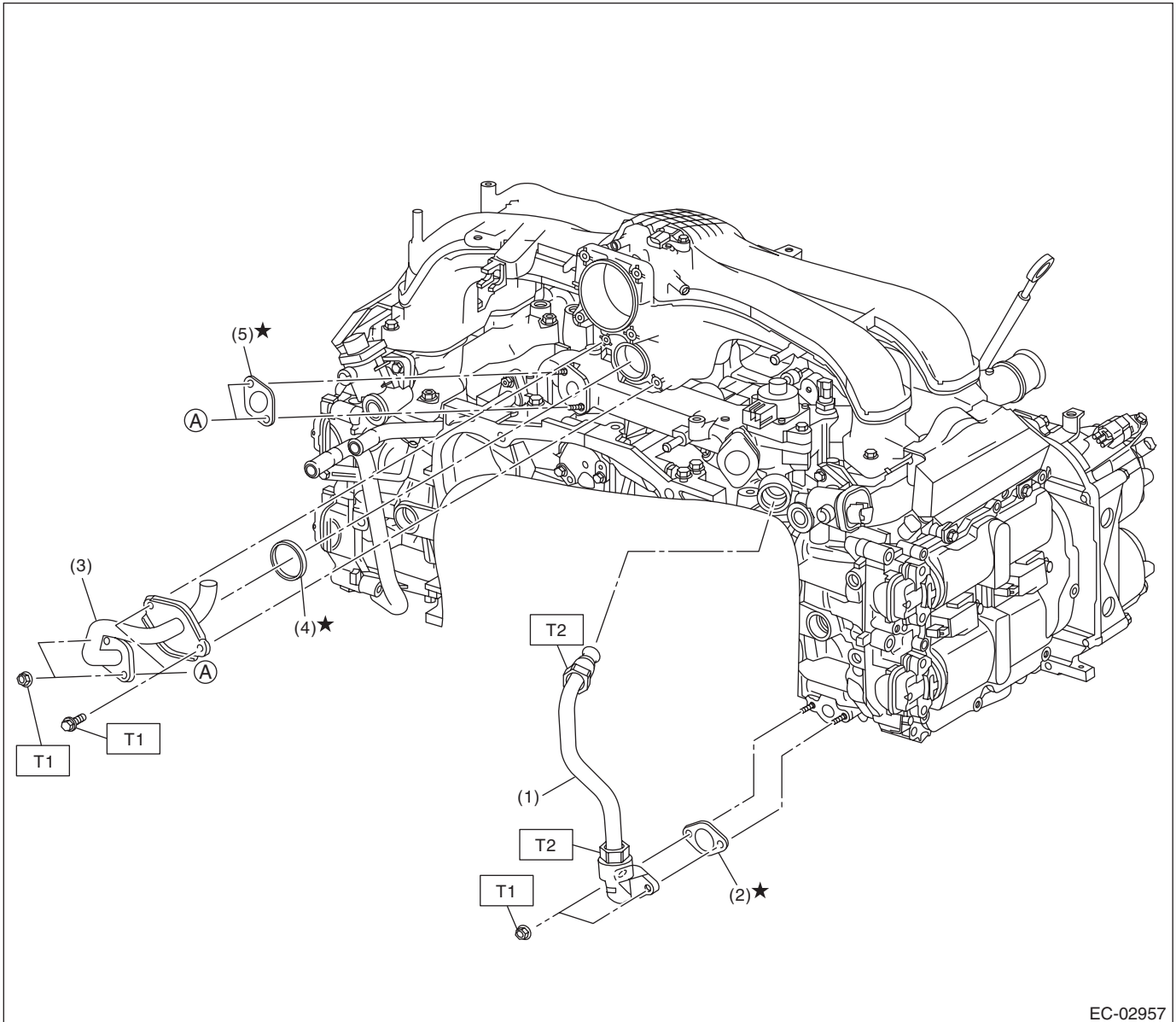
EC-02956

- | | |
|---------------------------------------|-----------------------|
| (1) EGR control valve | (7) O-ring |
| (2) O-ring | (8) Clip |
| (3) Gasket | (9) Preheater hose A |
| (4) Engine coolant temperature sensor | (10) Clip |
| (5) Gasket | (11) Preheater hose B |
| (6) Water pipe ASSY | |

General Description

EMISSION CONTROL (AUX. EMISSION CONTROL DEVICES)

3. EGR SYSTEM 2



EC-02957

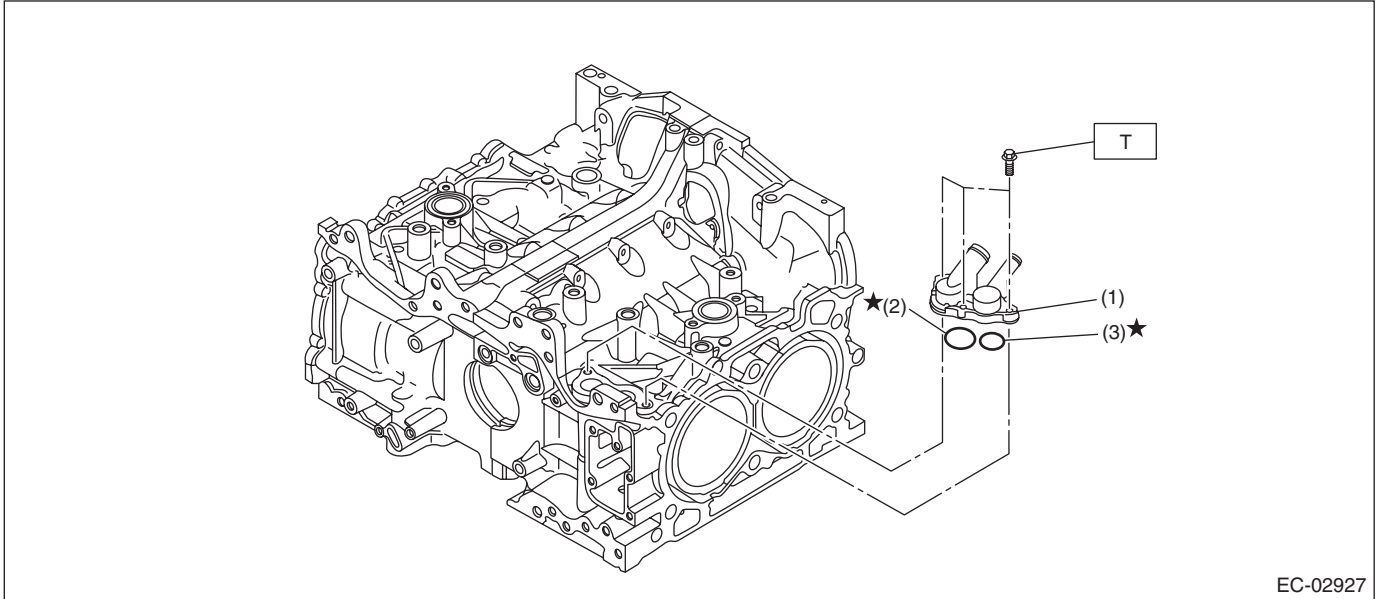
- | | |
|-------------------|------------|
| (1) EGR pipe ASSY | (4) Gasket |
| (2) Gasket | (5) Gasket |
| (3) EGR pipe | |

Tightening torque: N·m (kgf-m, ft-lb)
T1: <Ref. to EC(H4DO)-29, INSTALLATION, EGR Pipe.>
T2: <Ref. to EC(H4DO)-29, INSTALLATION, EGR Pipe.>

General Description

EMISSION CONTROL (AUX. EMISSION CONTROL DEVICES)

4. PCV SYSTEM 1



- (1) PCV connector
- (2) O-ring

- (3) O-ring

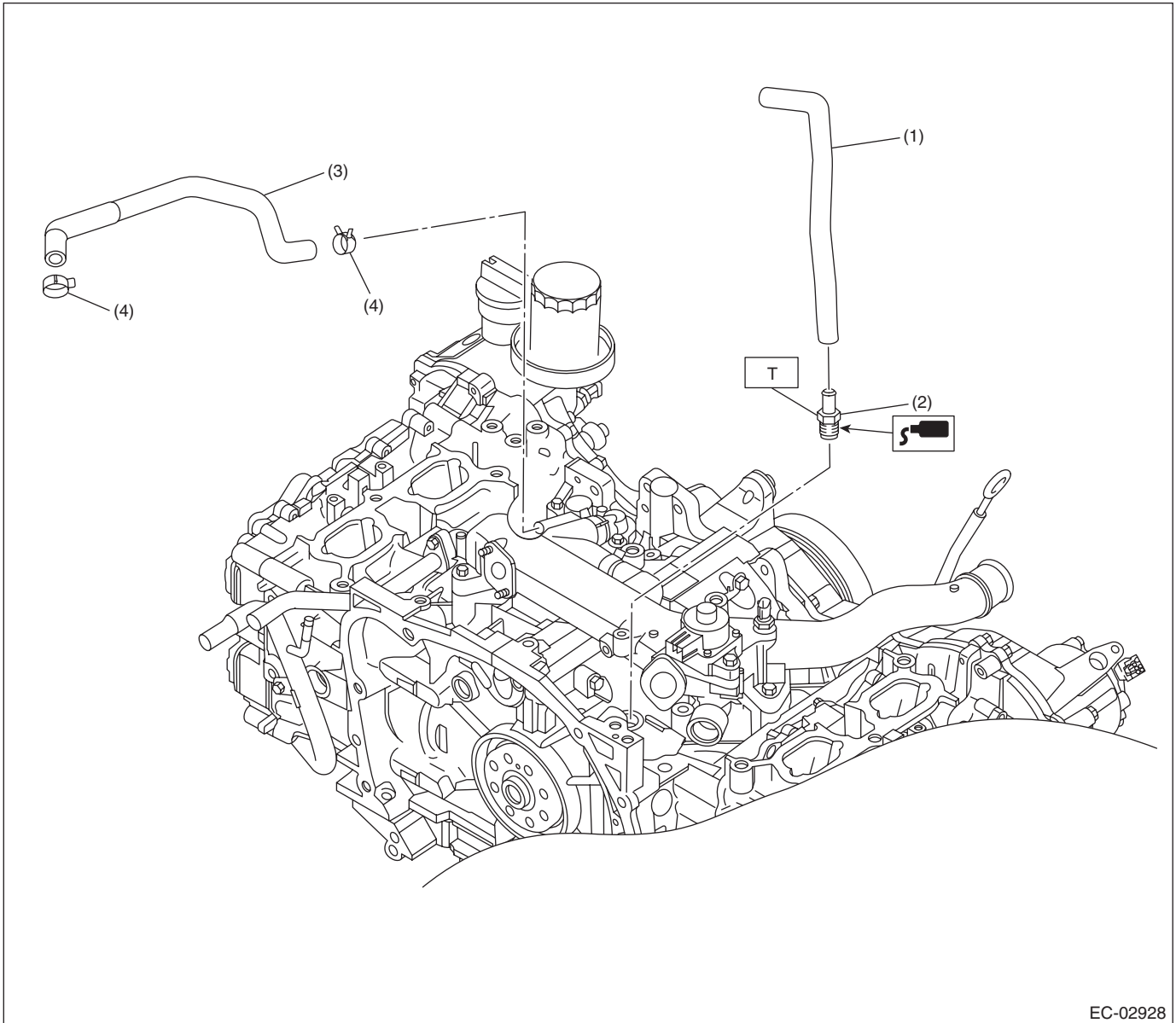
Tightening torque: N·m (kgf-m, ft-lb)

T: 6.4 (0.7, 4.7)

General Description

EMISSION CONTROL (AUX. EMISSION CONTROL DEVICES)

5. PCV SYSTEM 2



- (1) PCV hose A
- (2) PCV valve

- (3) PCV hose B
- (4) Clip

Tightening torque: N·m (kgf-m, ft-lb)
T: 23 (2.3, 17.0)

General Description

EMISSION CONTROL (AUX. EMISSION CONTROL DEVICES)

B: CAUTION

- Prior to starting work, pay special attention to the following:
 1. Always wear work clothes, a safety cap, protective shoes. Additionally, wear a helmet, protective goggles, etc. if necessary.
 2. Protect the vehicle using a seat cover, fender cover, etc.
 3. Prepare the service tools, clean cloth, containers to catch grease and oil, etc.
- Vehicle components are extremely hot immediately after driving. Be wary of receiving burns from heated parts.
- When performing a repair, identify the cause of trouble and avoid unnecessary removal, disassembly and replacement.
- Before disconnecting connectors of sensors or units, be sure to disconnect the ground cable from battery.
- Always use the jack-up point when the shop jacks or rigid racks are used to support the vehicle.
- Remove contamination including dirt and corrosion before removal, installation, disassembly or assembly.
- Keep the removed parts in order and protect them from dust and dirt.
- All removed parts, if to be reused, should be reinstalled in the original positions with attention to the correct directions, etc.
- Bolts, nuts and washers should be replaced with new parts as required.
- Be sure to tighten the fasteners including bolts and nuts to the specified torque.

C: PREPARATION TOOL

1. GENERAL TOOL

TOOL NAME	REMARKS
Circuit tester	Used for measuring resistance and voltage.