

Sunroof Assembly

SUNROOF/T-TOP/CONVERTIBLE TOP (SUNROOF)

5. Sunroof Assembly

A: REMOVAL

CAUTION:

When removing the clip, use great care not to damage the trim panel - roof assembly.

1) Remove the lid assembly - sunroof.

(1) Completely close the lid assembly - sunroof, and open the sunshade assembly.

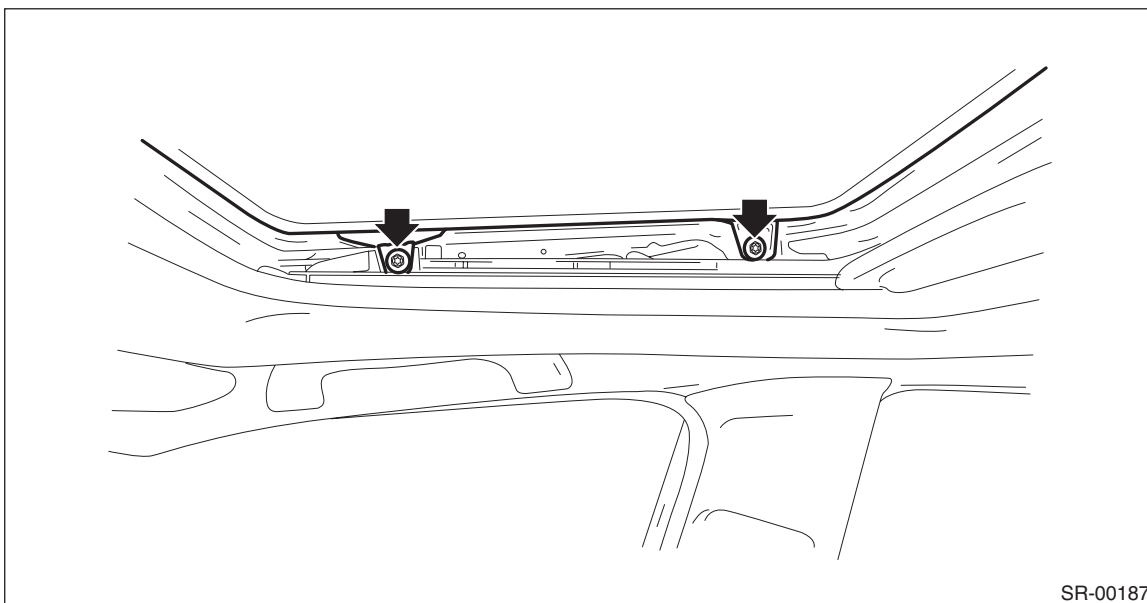
(2) Remove the TORX[®] bolt, and then remove the lid assembly - sunroof.

CAUTION:

Be careful not to damage the lid assembly - sunroof.

PREPARATION TOOL:

TORX[®] T25



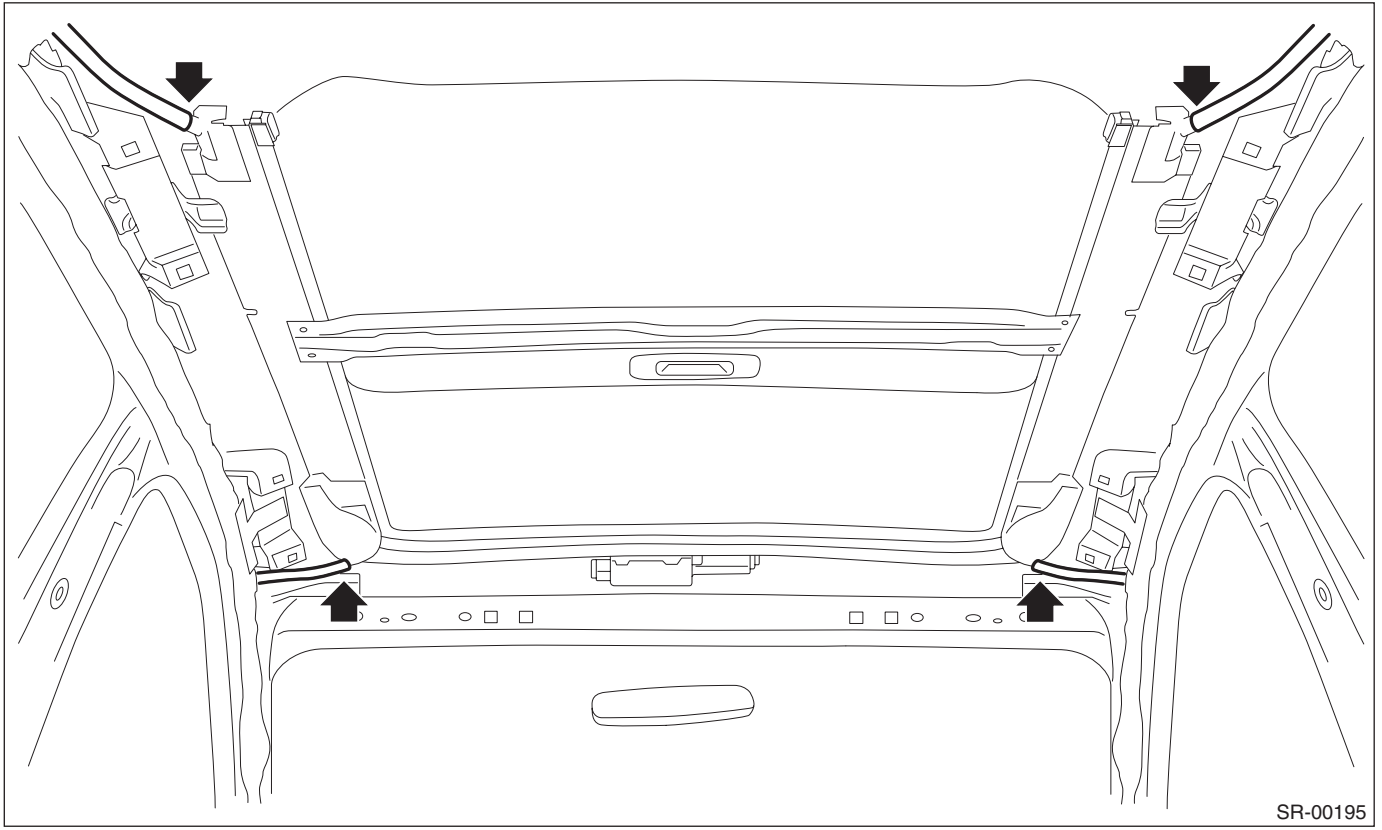
2) Remove the trim panel - roof assembly. <Ref. to EI-121, REMOVAL, Roof Trim.>

3) Disconnect the harness connector of the motor assembly.

Sunroof Assembly

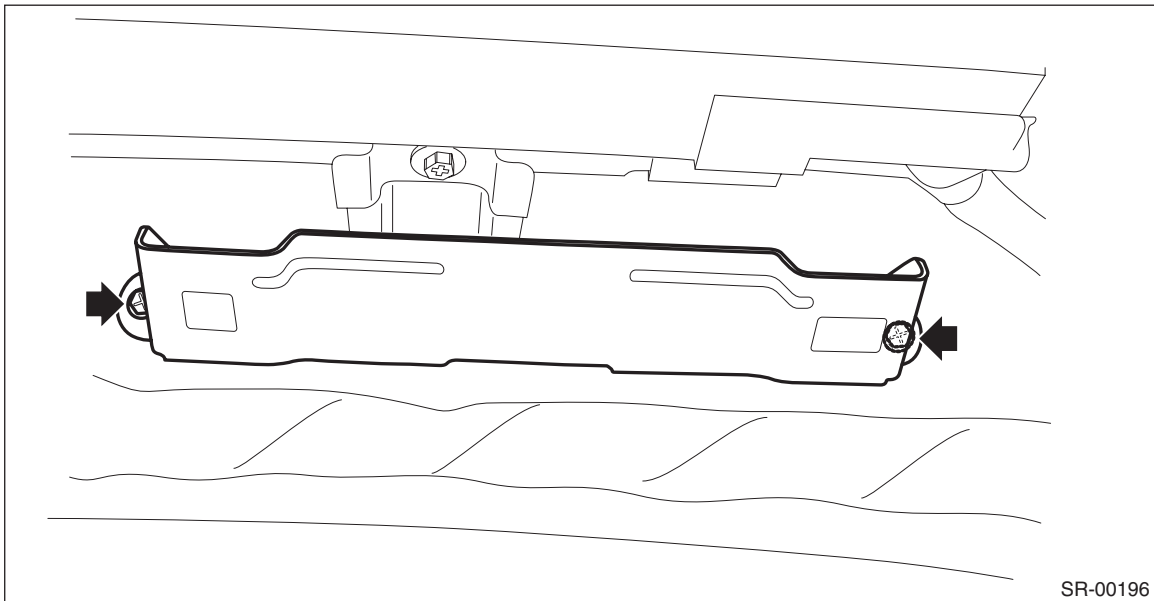
SUNROOF/T-TOP/CONVERTIBLE TOP (SUNROOF)

- 4) Remove the rail assembly.
(1) Remove the drain tube - sunroof.



SR-00195

- (2) Remove the bracket - assist rail.

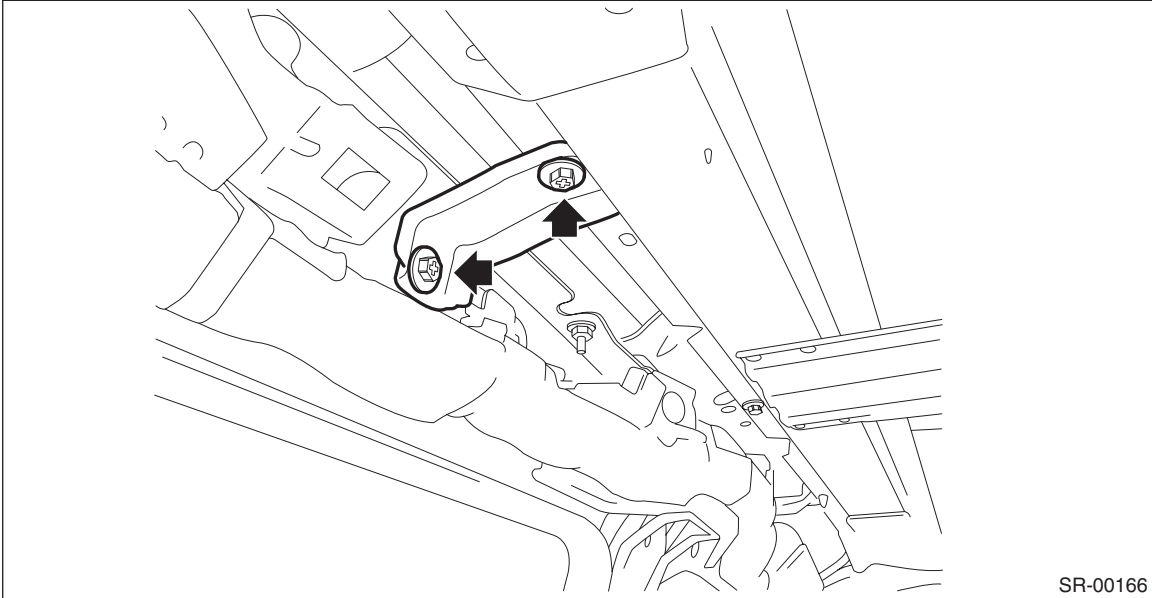


SR-00196

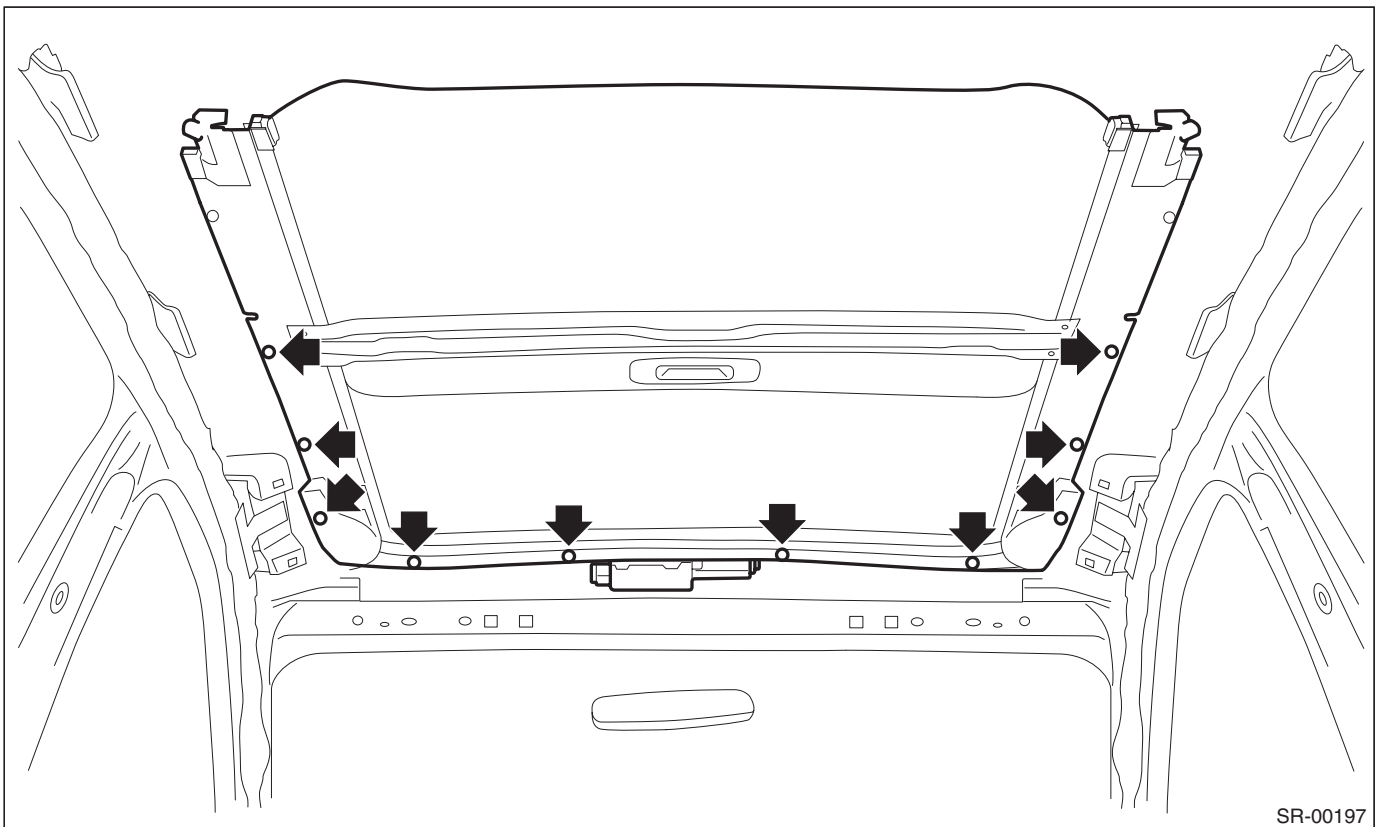
Sunroof Assembly

SUNROOF/T-TOP/CONVERTIBLE TOP (SUNROOF)

(3) Remove the bolts and then remove the sunroof bracket.



(4) Remove the bolts, then remove the rail assembly.



Sunroof Assembly

SUNROOF/T-TOP/CONVERTIBLE TOP (SUNROOF)

B: INSTALLATION

CAUTION:

Be careful not to snag the harness.

Install each part in the reverse order of removal.

Tightening torque:

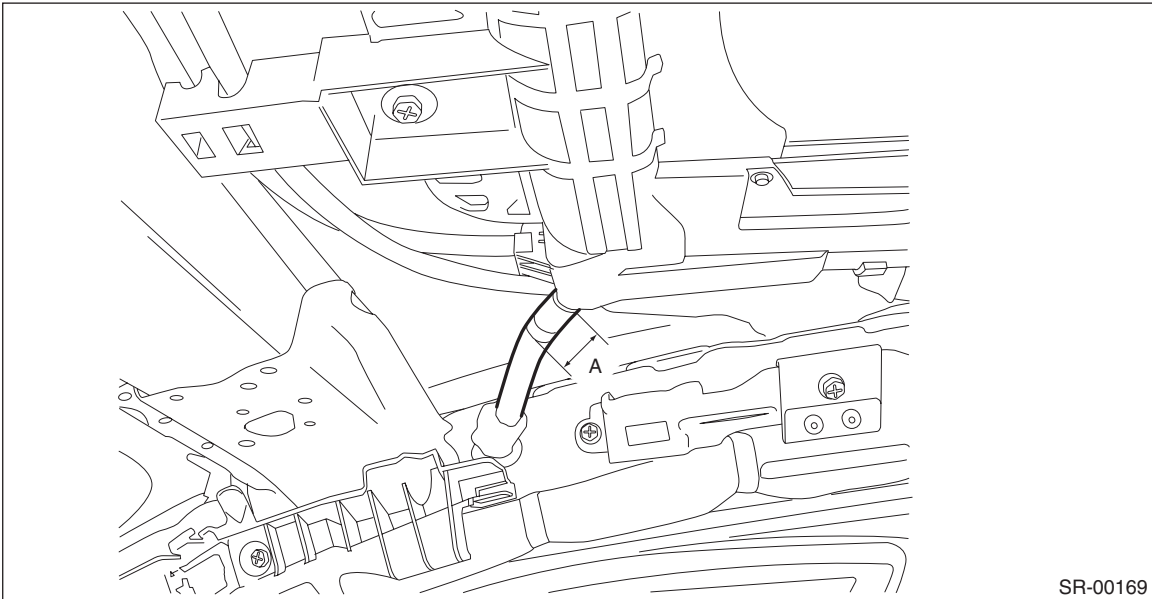
Refer to “COMPONENT” of “General Description”. <Ref. to SR-2, COMPONENT, General Description.>

NOTE:

- Be sure to connect the harness connector.
- When installing the drain tube - sunroof, insert it securely into drain pipe.

Length A:

15 mm (0.59 in) or more



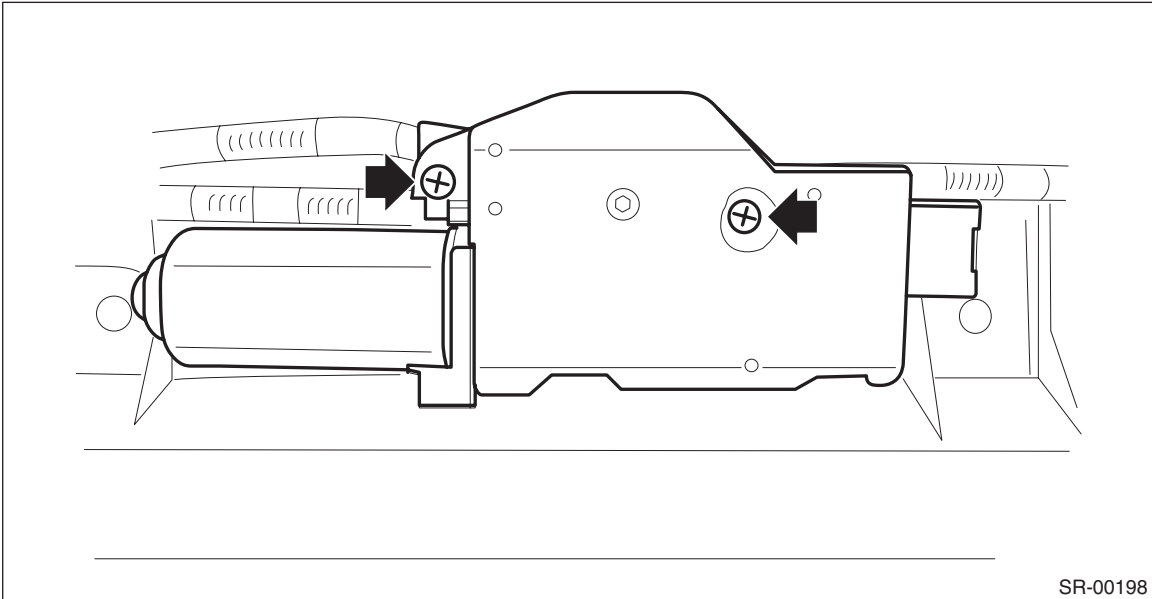
SR-00169

Sunroof Assembly

SUNROOF/T-TOP/CONVERTIBLE TOP (SUNROOF)

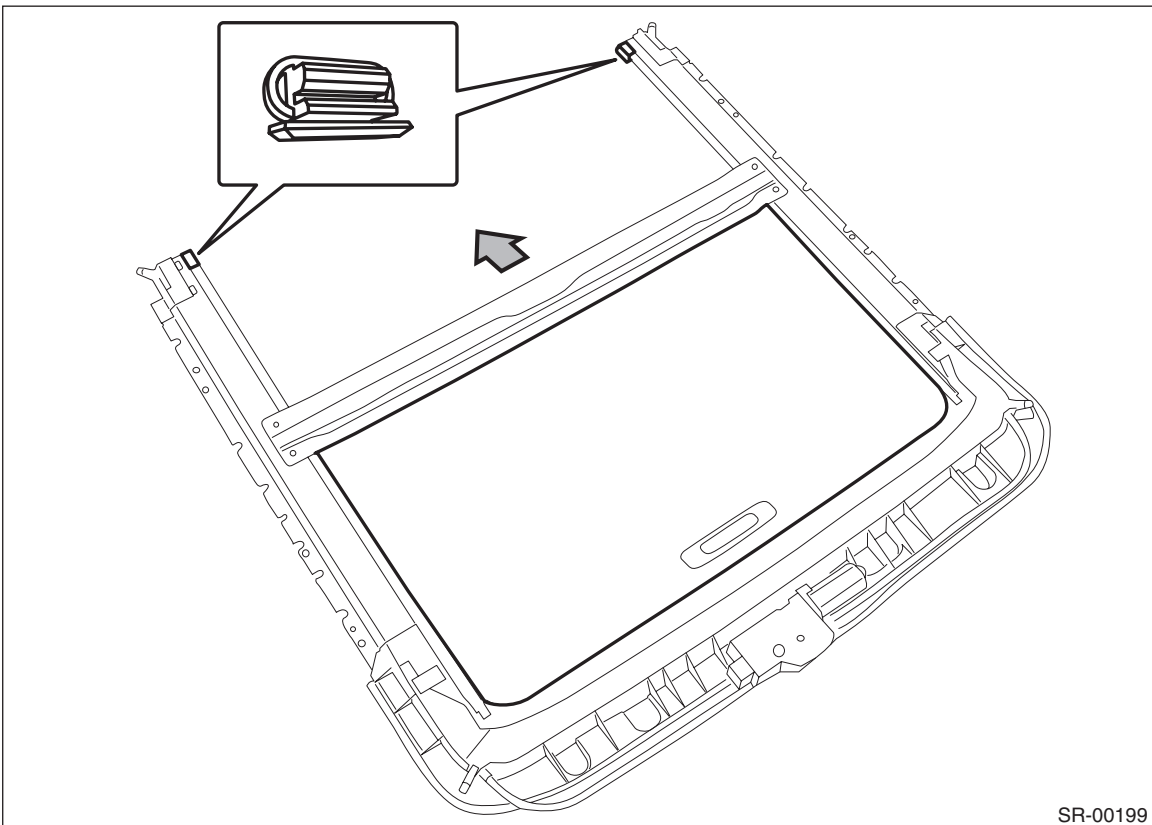
C: DISASSEMBLY

1) Remove the screw and remove the sunroof motor.



SR-00198

2) Remove the stopper rubber and pull out the sunshade assembly from the rail assembly - sunroof.

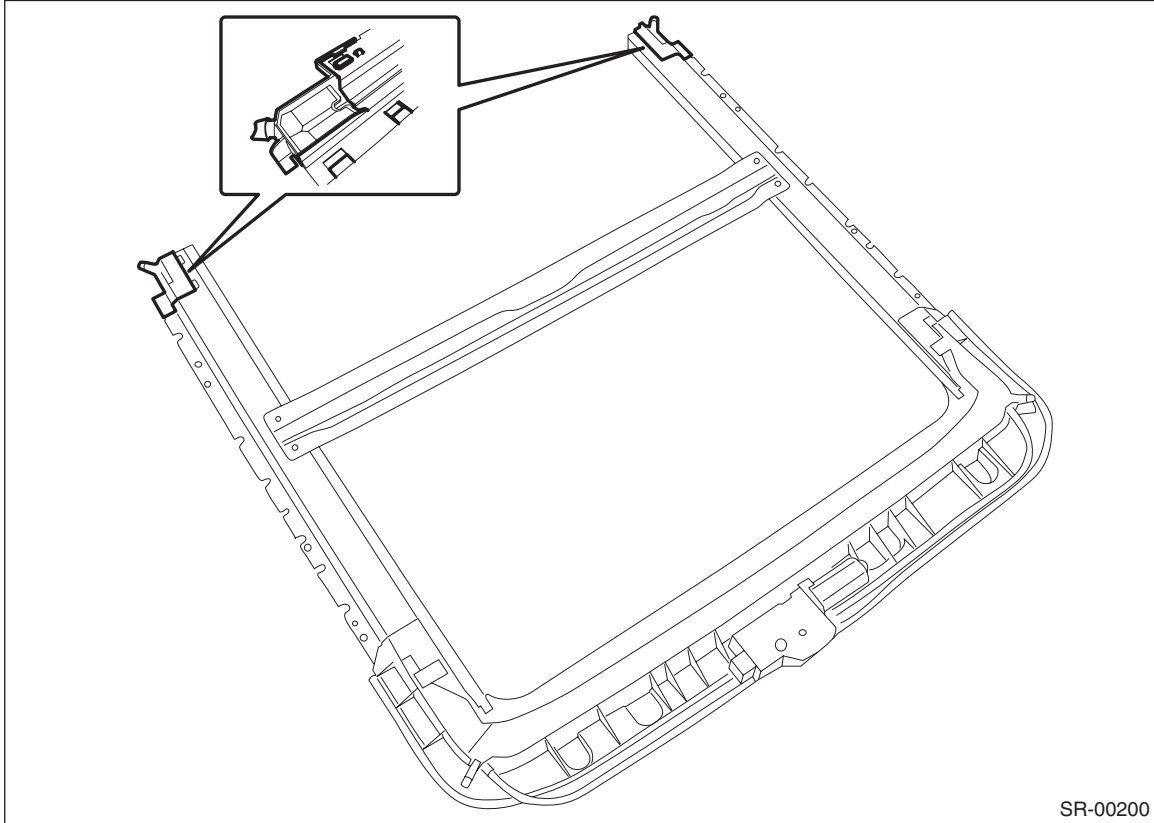


SR-00199

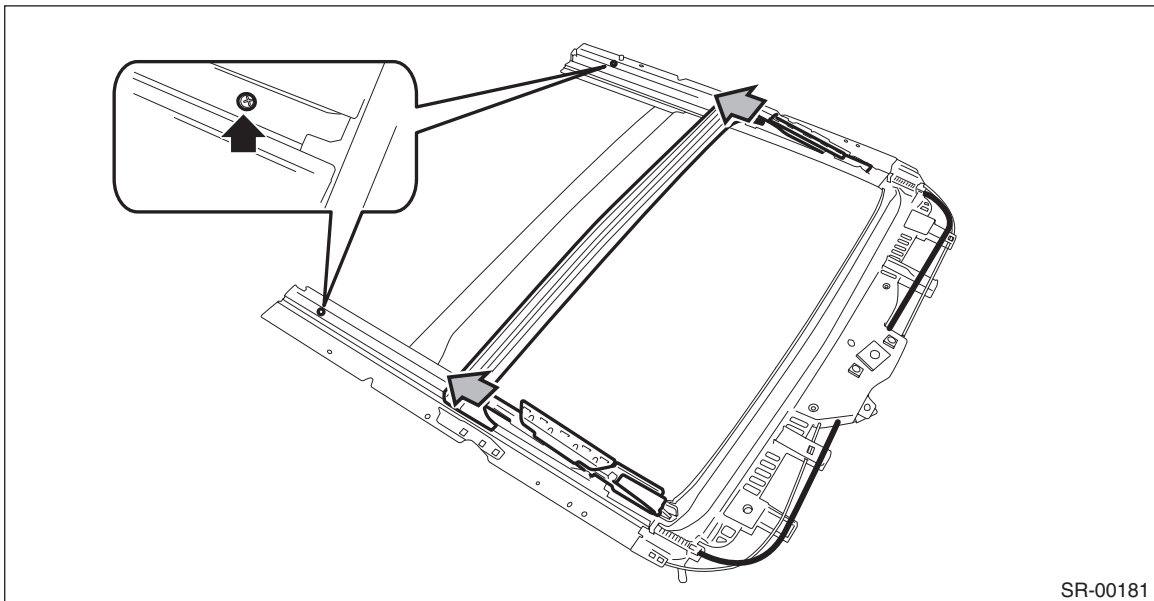
Sunroof Assembly

SUNROOF/T-TOP/CONVERTIBLE TOP (SUNROOF)

3) Disconnect the claws and then remove the drain holder.



4) Remove the screw and pull out the cable assembly from the rail assembly - sunroof.



D: ASSEMBLY

Install each part in the reverse order of removal.