

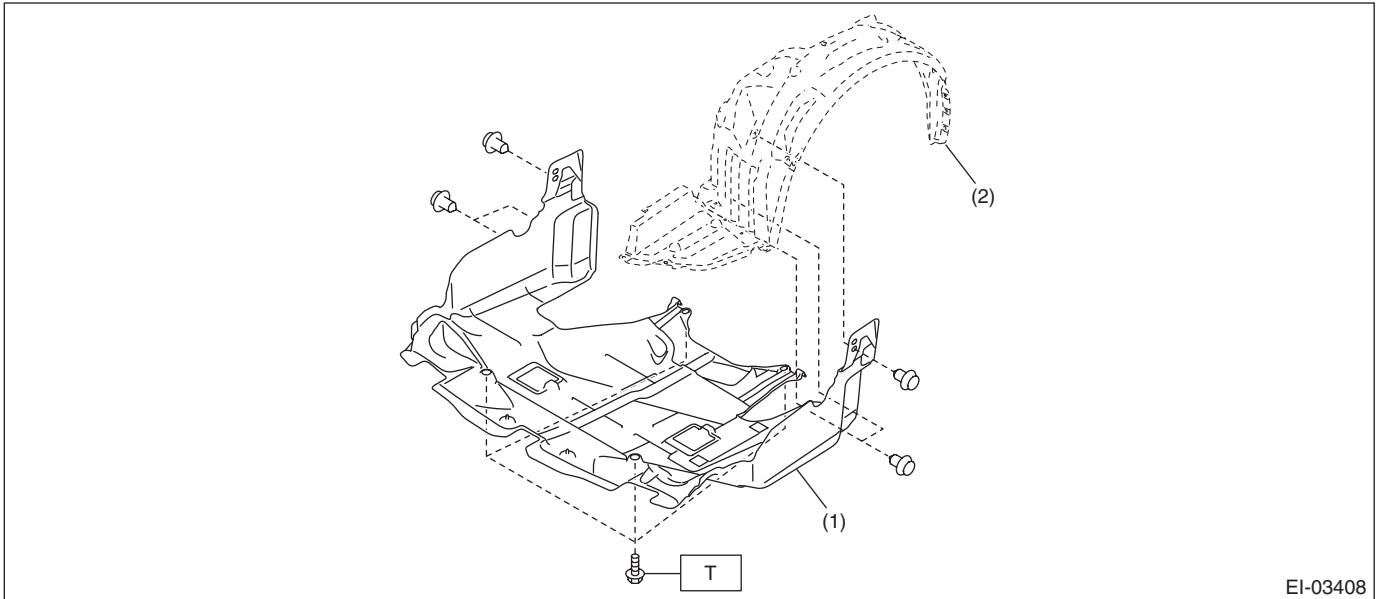
General Description

EXTERIOR/INTERIOR TRIM

1. General Description

A: COMPONENT

1. FRONT UNDER COVER



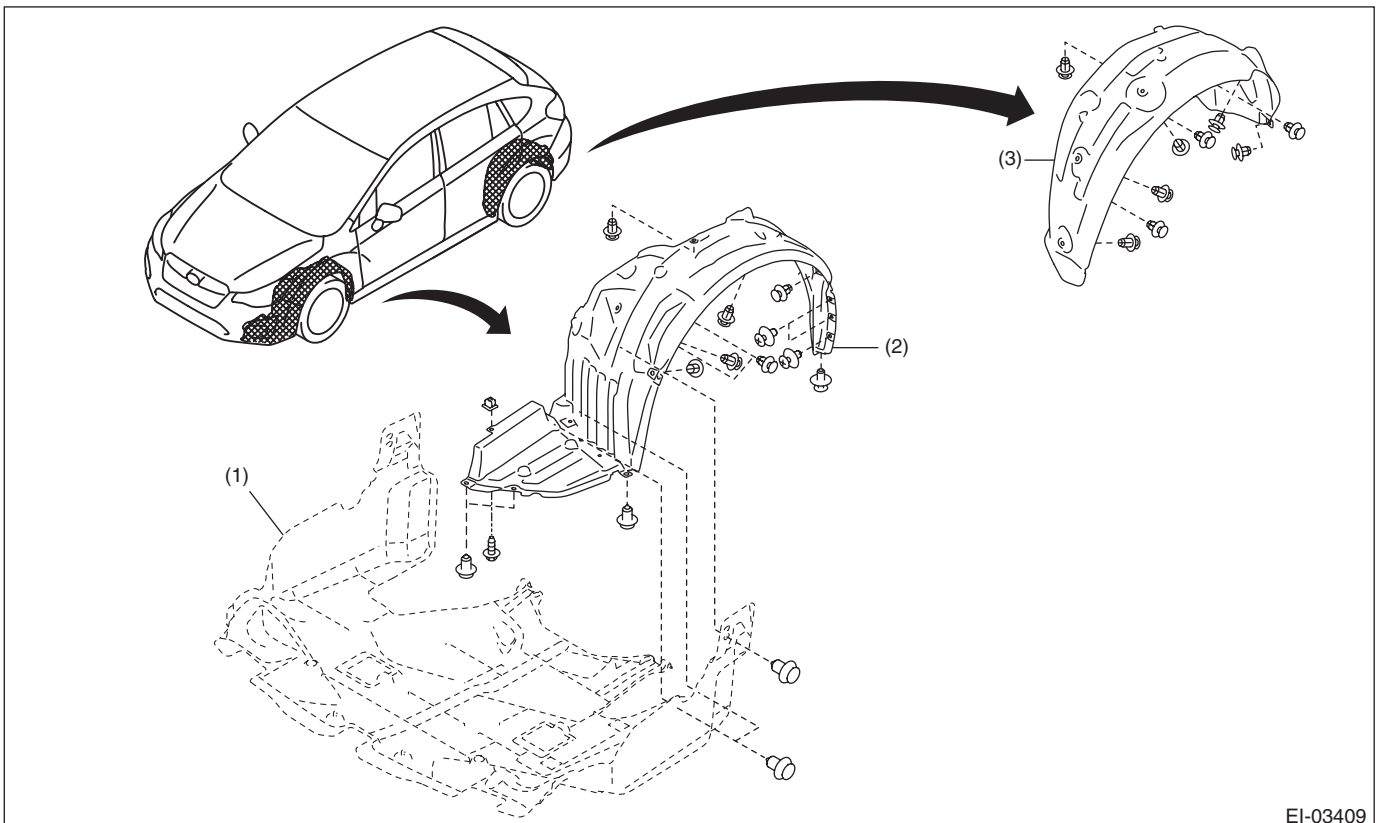
(1) Under cover - front

(2) Mud guard - front

Tightening torque: N·m (kgf·m, ft·lb)

T: 18 (1.84, 13.3)

2. MUD GUARD

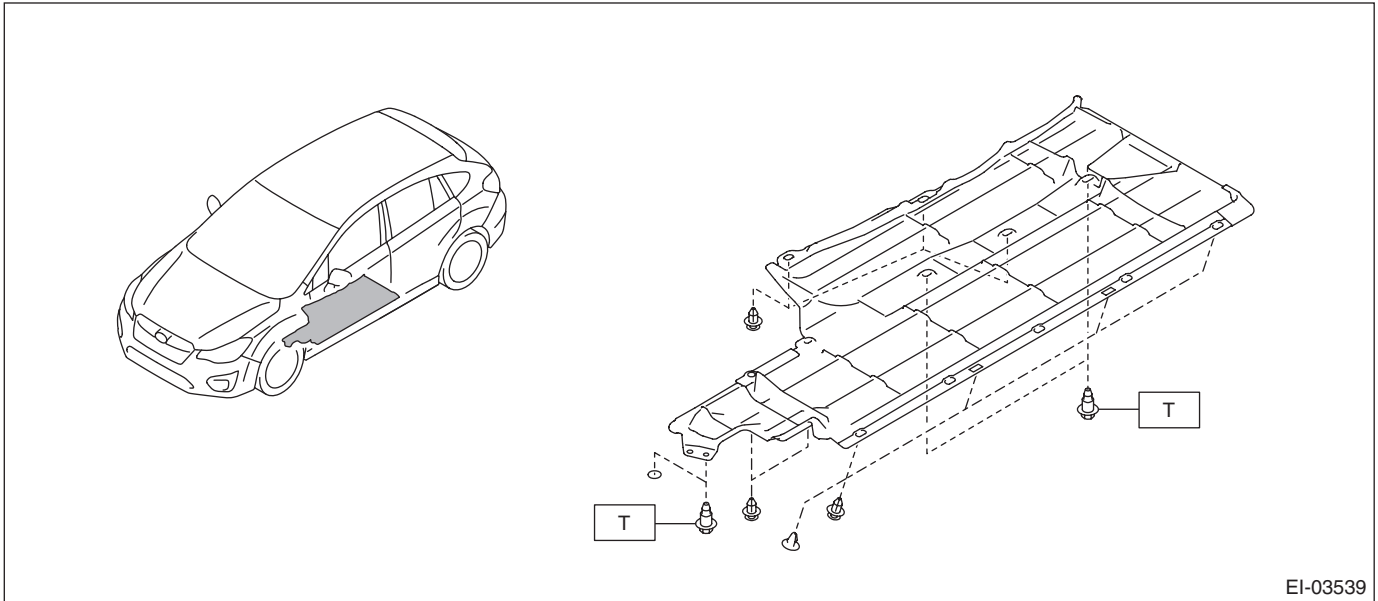


(1) Under cover - front

(2) Mud guard - front

(3) Mud guard - rear

3. FLOOR UNDER PROTECTOR (XV MODEL)



Tightening torque: N·m (kgf·m, ft·lb)

T: 7.5 (0.76, 5.5)

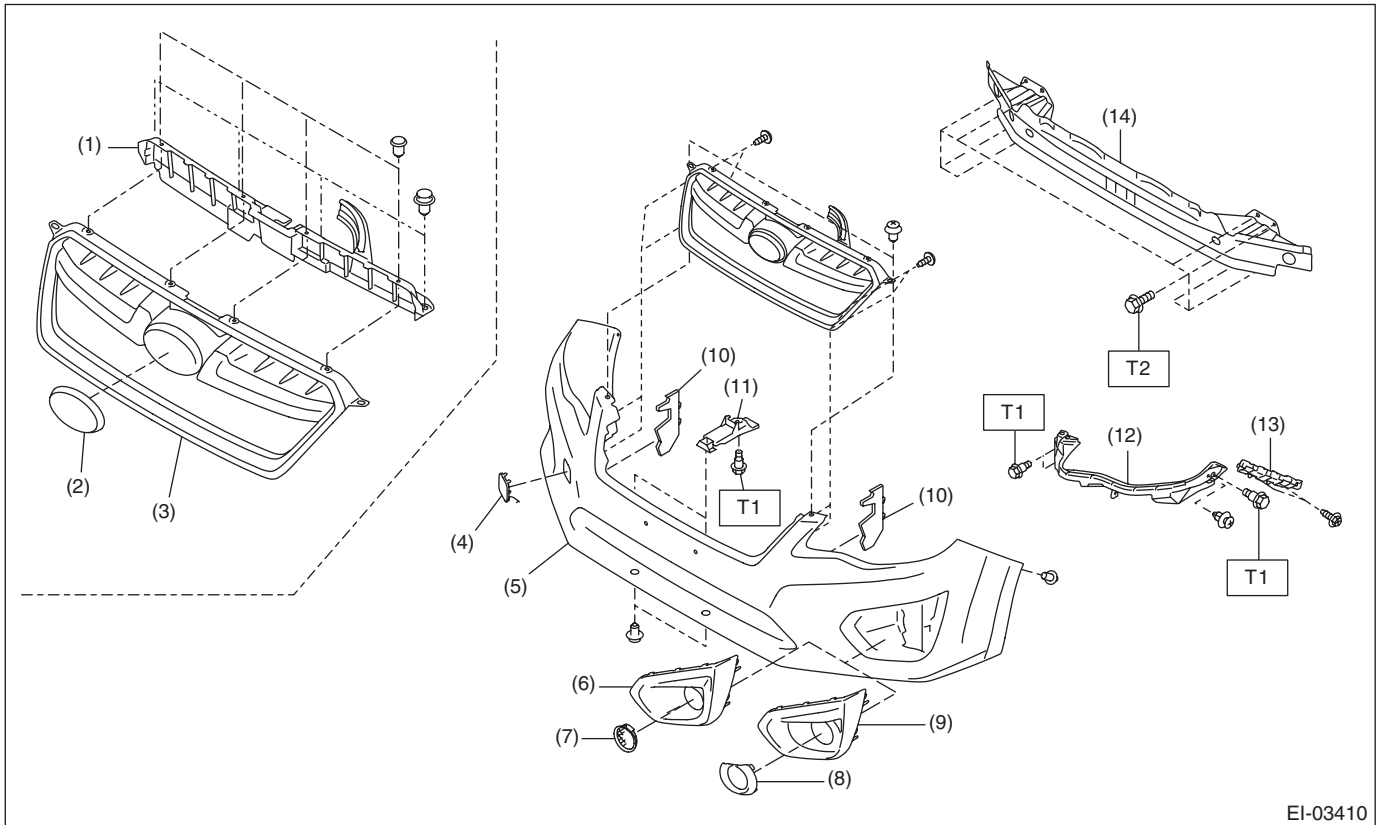
4. FUEL TANK PROTECTOR

For exploded view of the fuel tank protector, refer to “FUEL TANK” of “FUEL INJECTION” section. <Ref. to FU(H4DO)-7, FUEL TANK, COMPONENT, General Description.>

General Description

EXTERIOR/INTERIOR TRIM

5. FRONT BUMPER



- | | |
|----------------------------|------------------------------------|
| (1) Bracket - grille | (8) Fog ring |
| (2) Ornament front | (9) Cover - fog light B |
| (3) Front grille ASSY | (10) Radiator gasket |
| (4) Cover - front bumper A | (11) Bracket - front center LWR |
| (5) Bumper face - front | (12) Bracket - front bumper corner |
| (6) Cover - fog light A | (13) Bracket - front bumper side |
| (7) Cover - front bumper B | (14) Bumper beam COMPL - front |

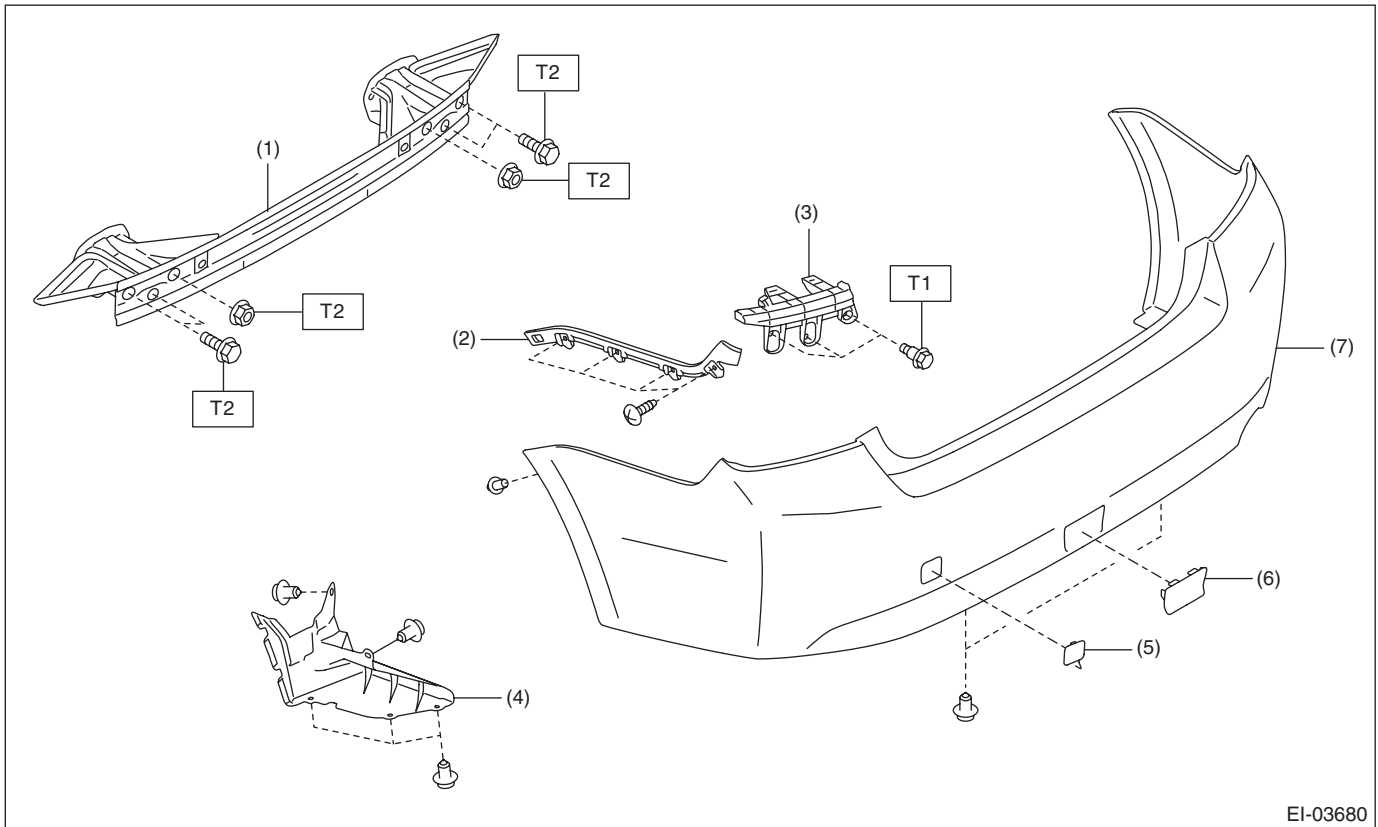
Tightening torque: N-m (kgf-m, ft-lb)

T1: 7.5 (0.76, 5.5)

T2: 32 (3.26, 23.6)

6. REAR BUMPER

- 4 door model



EI-03680

- | | |
|----------------------------------|---------------------------|
| (1) Bumper beam COMPL - rear | (5) Cover - rear bumper A |
| (2) Bracket - rear bumper side | (6) Cover - rear bumper B |
| (3) Bracket - rear bumper corner | (7) Bumper face - rear |
| (4) Cover - rear bumper side | |

Tightening torque: N-m (kgf-m, ft-lb)

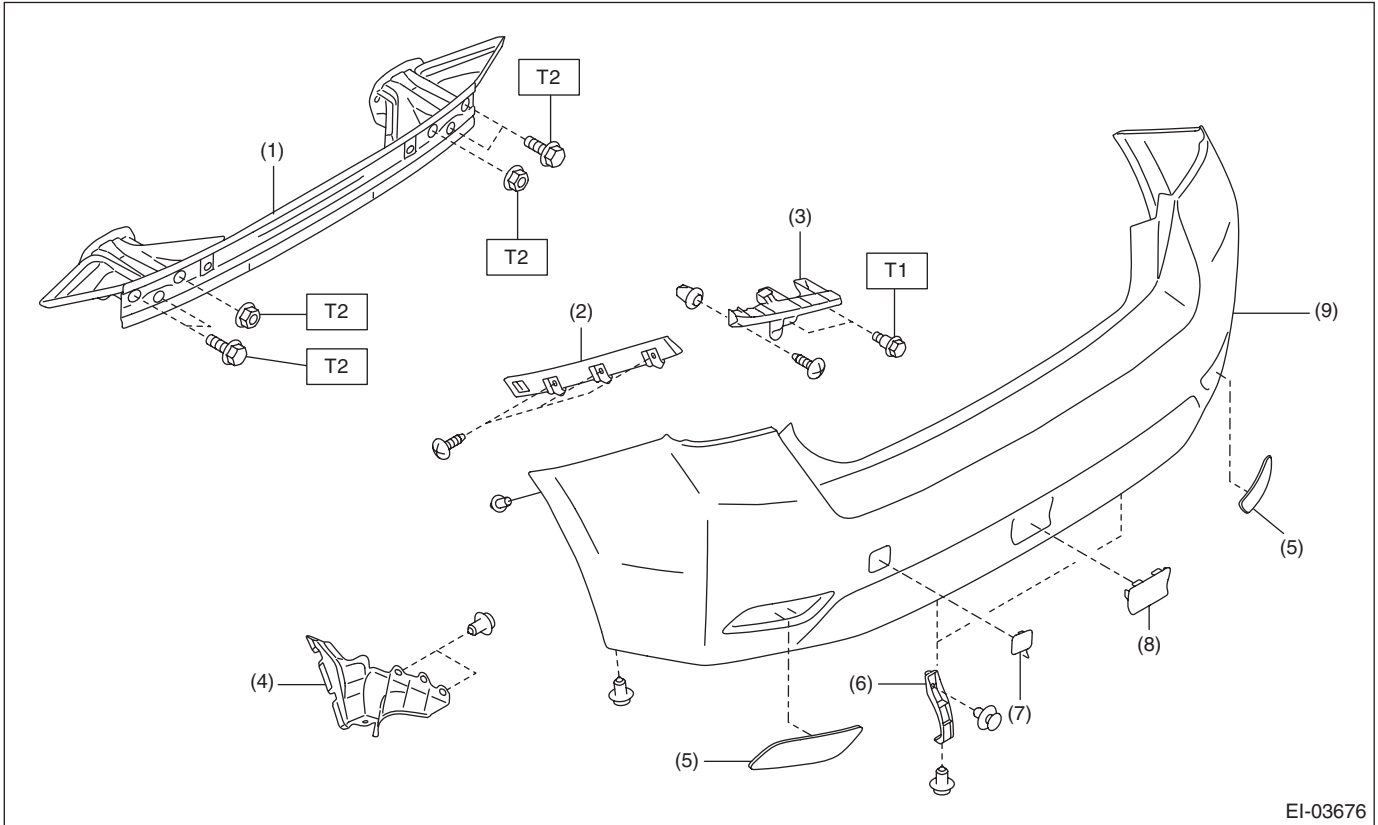
T1: 7.5 (0.76, 5.5)

T2: 70 (7.14, 51.6)

General Description

EXTERIOR/INTERIOR TRIM

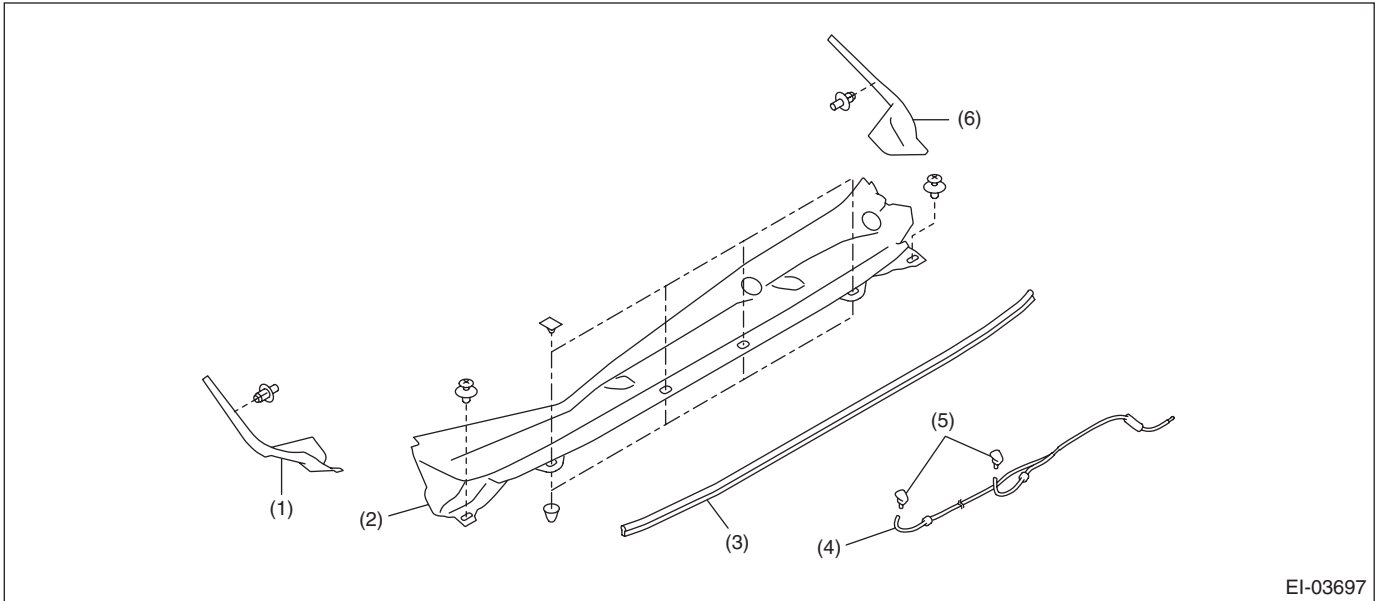
- 5 door model/XV model



- | | |
|----------------------------------|---------------------------------|
| (1) Bumper beam COMPL - rear | (6) Bracket - rear bumper lower |
| (2) Bracket - rear bumper side | (7) Cover - rear bumper A |
| (3) Bracket - rear bumper corner | (8) Cover - rear bumper B |
| (4) Cover - rear bumper side | (9) Bumper face - rear |
| (5) Reflex reflector ASSY | |

Tightening torque: N·m (kgf·m, ft·lb)
T1: 7.5 (0.76, 5.5)
T2: 70 (7.14, 51.6)

7. COWL PANEL



EI-03697

(1) Cowl panel - side RH

(2) Cowl panel ASSY

(3) Seal - front panel

(4) Hose ASSY - washer UPR

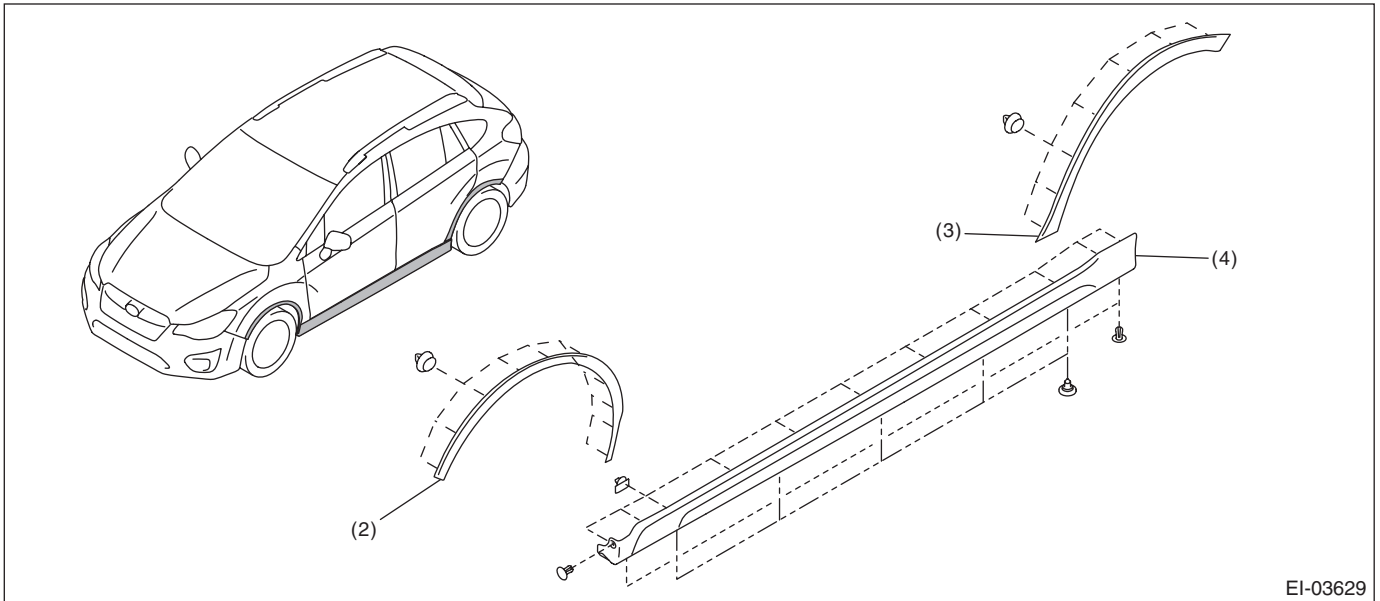
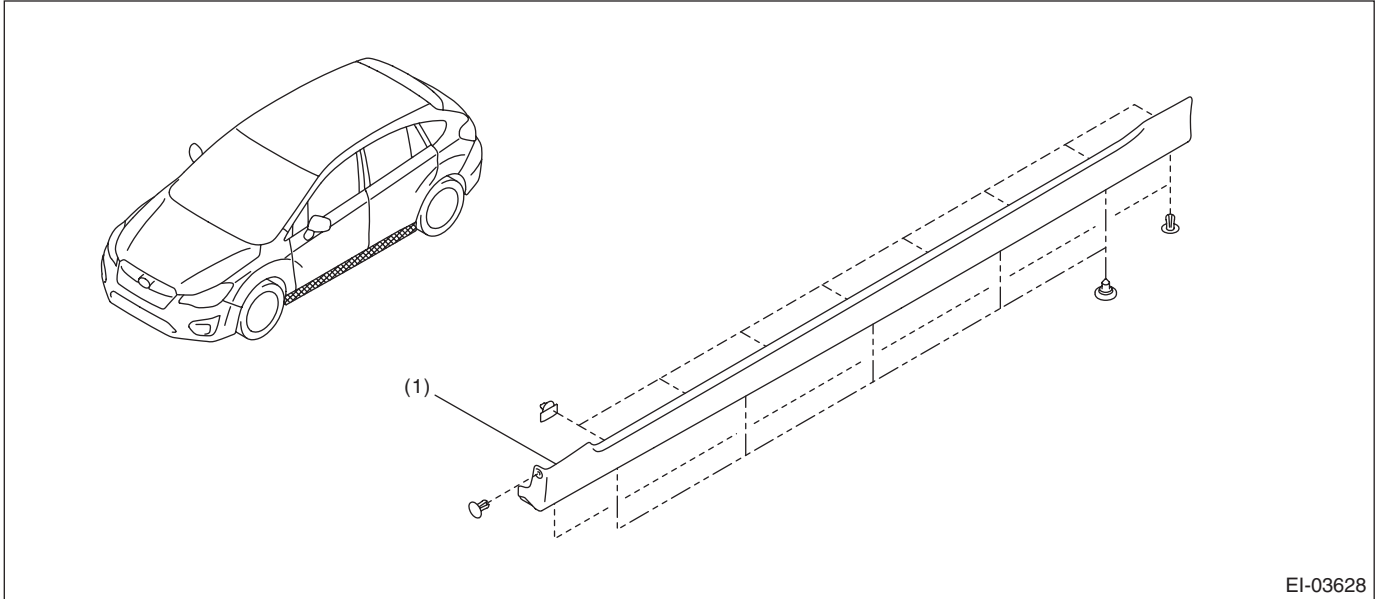
(5) Nozzle

(6) Cowl panel - side LH

General Description

EXTERIOR/INTERIOR TRIM

8. SIDE SILL SPOILER



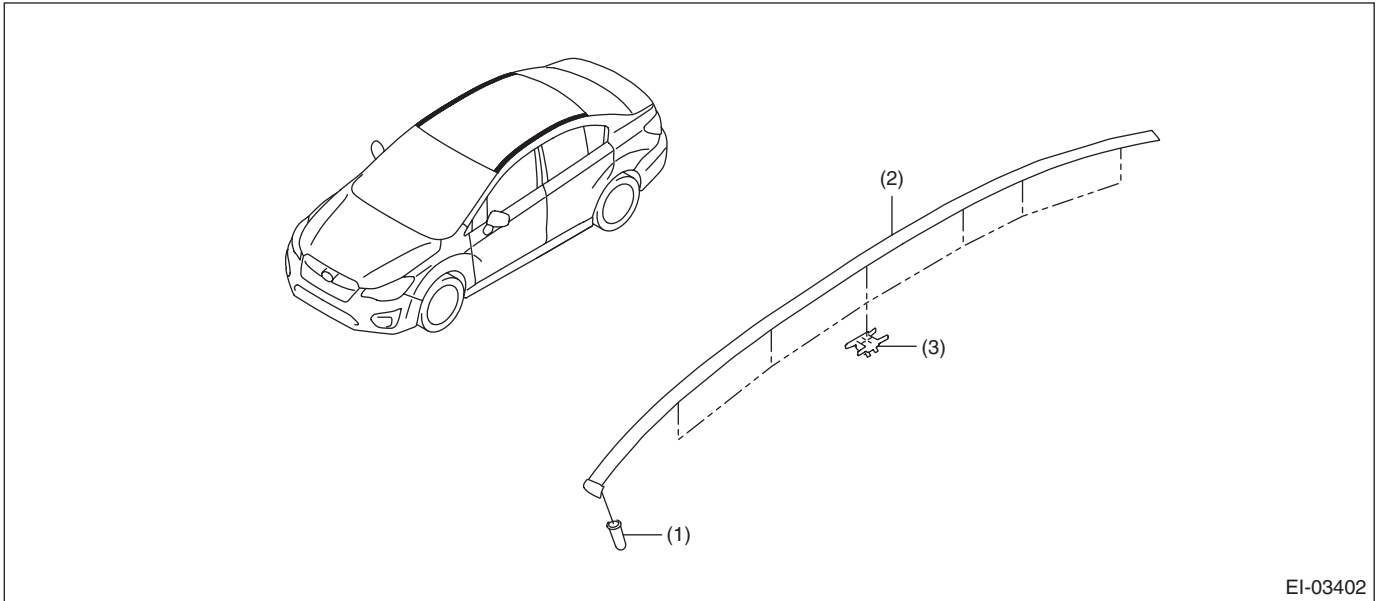
(1) Garnish ASSY - side sill (except for XV model)

(2) Garnish ASSY - fender (XV model)

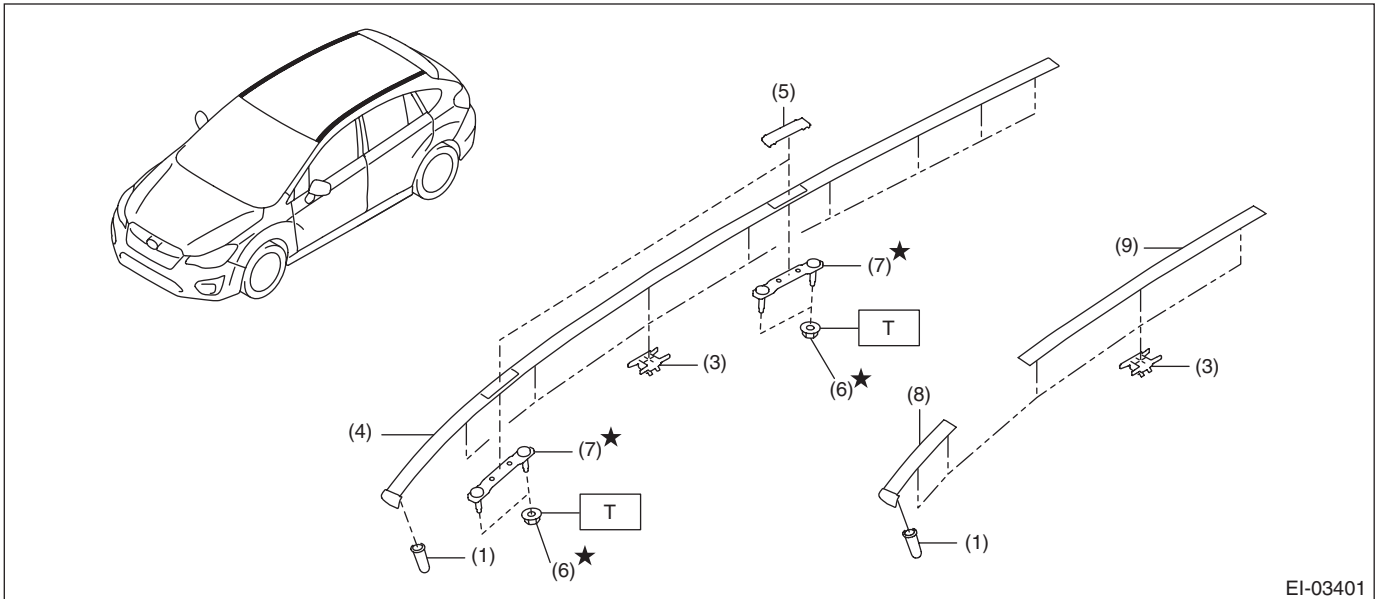
(3) Garnish ASSY - rear quarter (XV model)

(4) Garnish ASSY - side sill (XV model)

9. ROOF MOLDING



EI-03402



EI-03401

- | | | |
|--|---|--|
| (1) Rivet | (5) Cap - molding | (9) Molding - roof rear (model with roof rail) |
| (2) Molding - roof (4 door model) | (6) Flange nut | |
| (3) Fastener | (7) Bracket - molding roof | |
| (4) Molding - roof (5 door model/XV model) | (8) Molding - roof front (model with roof rail) | |

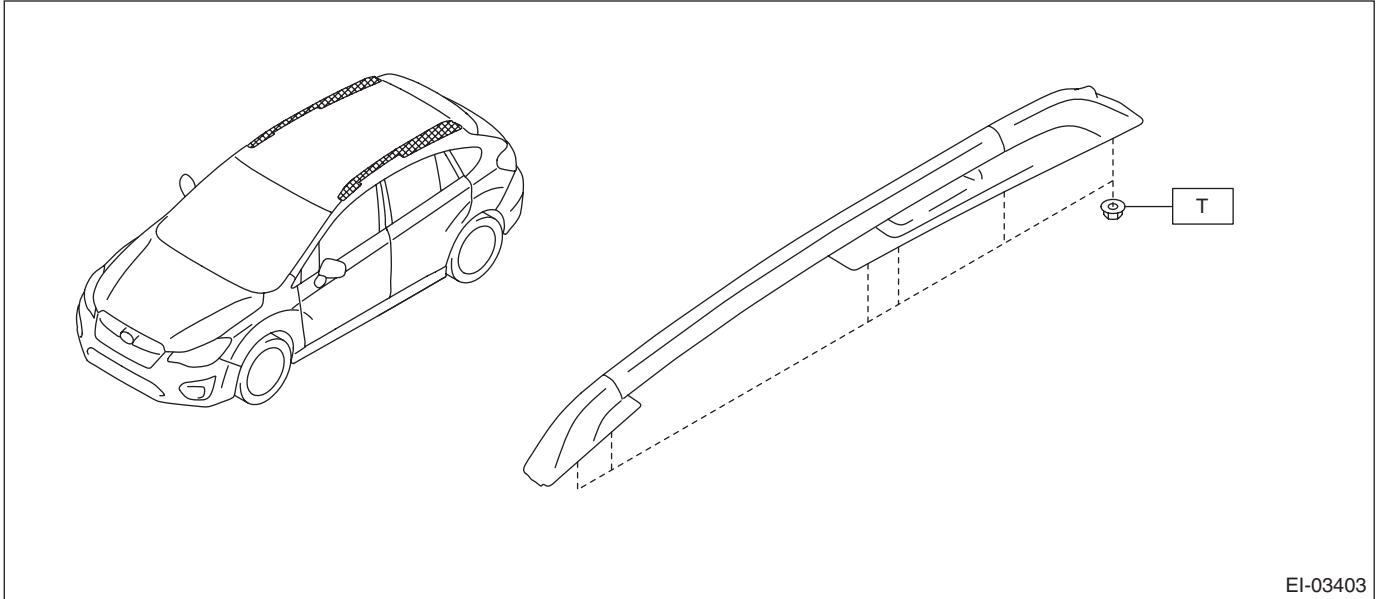
Tightening torque: N·m (kgf·m, ft·lb)

T: 7.5 (0.76, 5.5)

General Description

EXTERIOR/INTERIOR TRIM

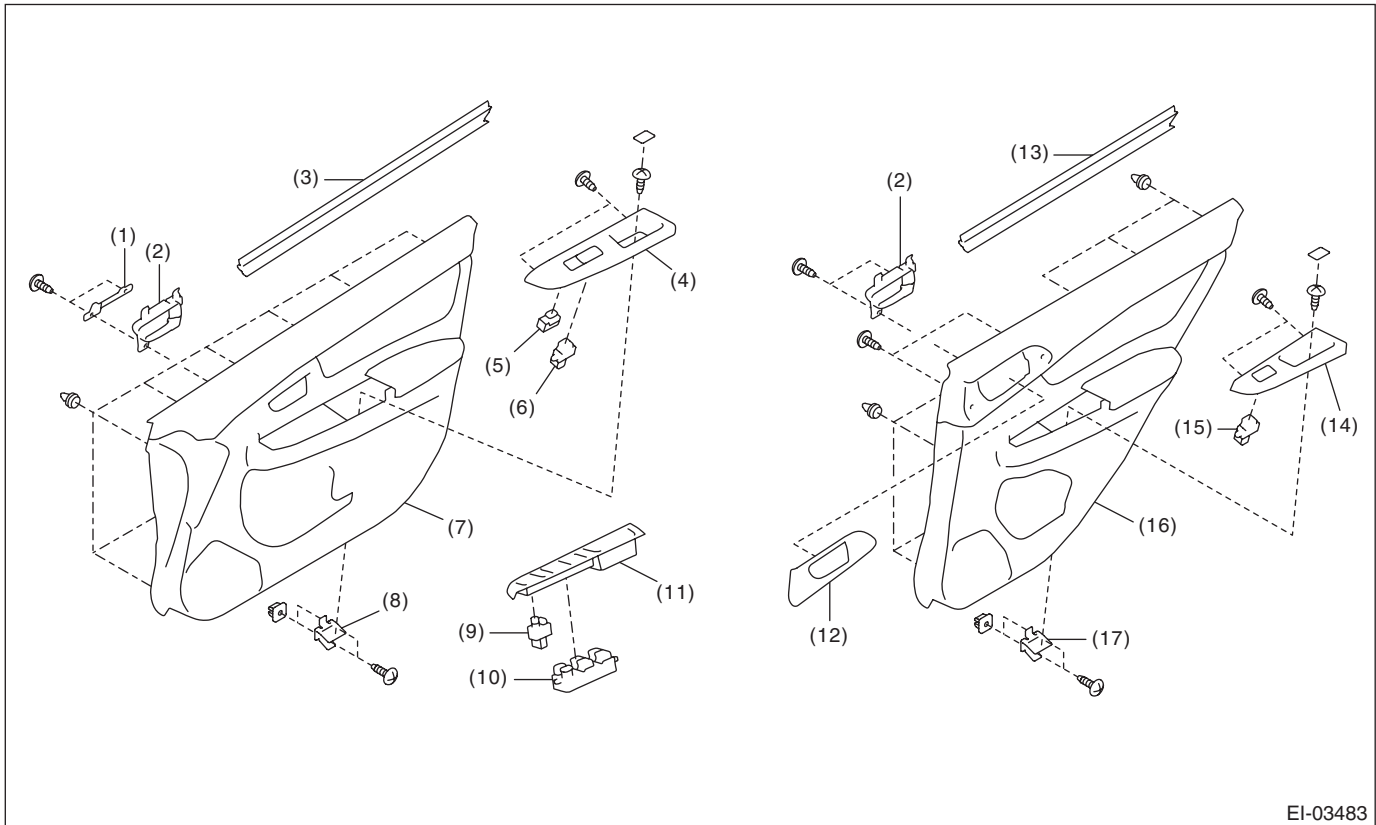
10. ROOF RAIL



Tightening torque: N·m (kgf·m, ft·lb)

T: 7.5 (0.76, 5.5)

11.DOOR TRIM



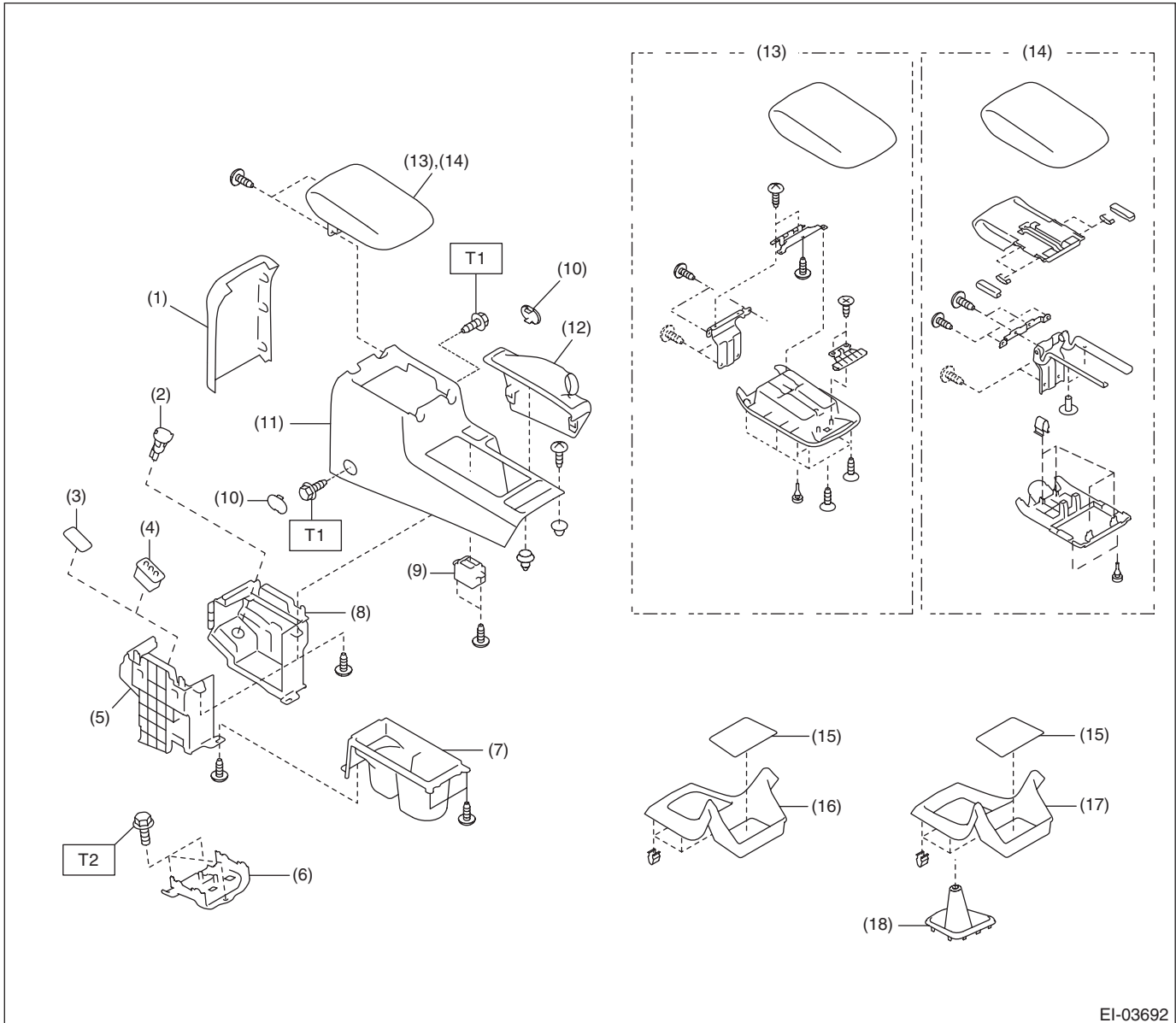
EI-03483

- | | | |
|---|---------------------------------------|---|
| (1) Plate | (7) Trim panel - front door | (13) Weather strip - door rear INN |
| (2) Remote ASSY - door | (8) Bracket - door trim front | (14) Panel - power window sub-switch rear |
| (3) Weather strip - door front INN | (9) Switch - door mirror | (15) Switch - power window sub rear |
| (4) Panel - power window sub-switch front | (10) Switch - power window main | (16) Trim panel - rear door |
| (5) Switch - door lock sub | (11) Panel - power window main switch | (17) Bracket - door trim rear |
| (6) Switch - power window sub front | (12) Cover - remote rear door | |

General Description

EXTERIOR/INTERIOR TRIM

12. CONSOLE BOX



EI-03692

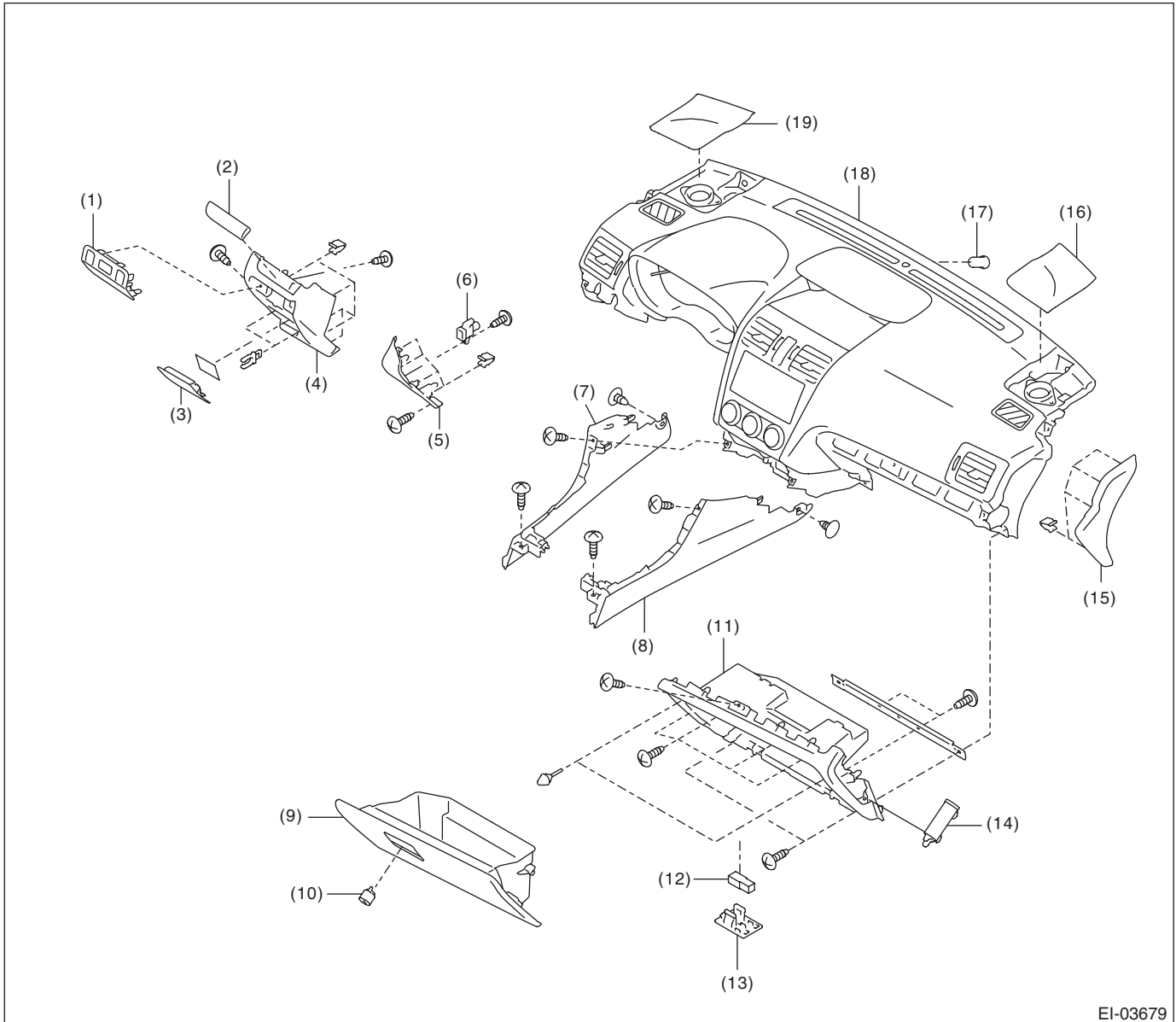
- | | | |
|---------------------------|--|------------------------------------|
| (1) Console box, rear | (9) Switch - seat heater | (17) Cover front (MT model) |
| (2) Accessory socket | (10) Cap - console box | (18) Boot - shift lever (MT model) |
| (3) Cap | (11) Console box | |
| (4) AUX unit | (12) Boot - parking brake | |
| (5) Pocket console box RH | (13) Lid ASSY - console box (fixed type) | |
| (6) Bracket - console box | (14) Lid ASSY - console box (sliding type) | |
| (7) Cup holder | (15) Mat | |
| (8) Pocket console box LH | (16) Cover front (CVT model) | |

Tightening torque: N-m (kgf-m, ft-lb)

T1: 6.5 (0.66, 4.8)

T2: 18 (1.84, 13.3)

13. INSTRUMENT PANEL

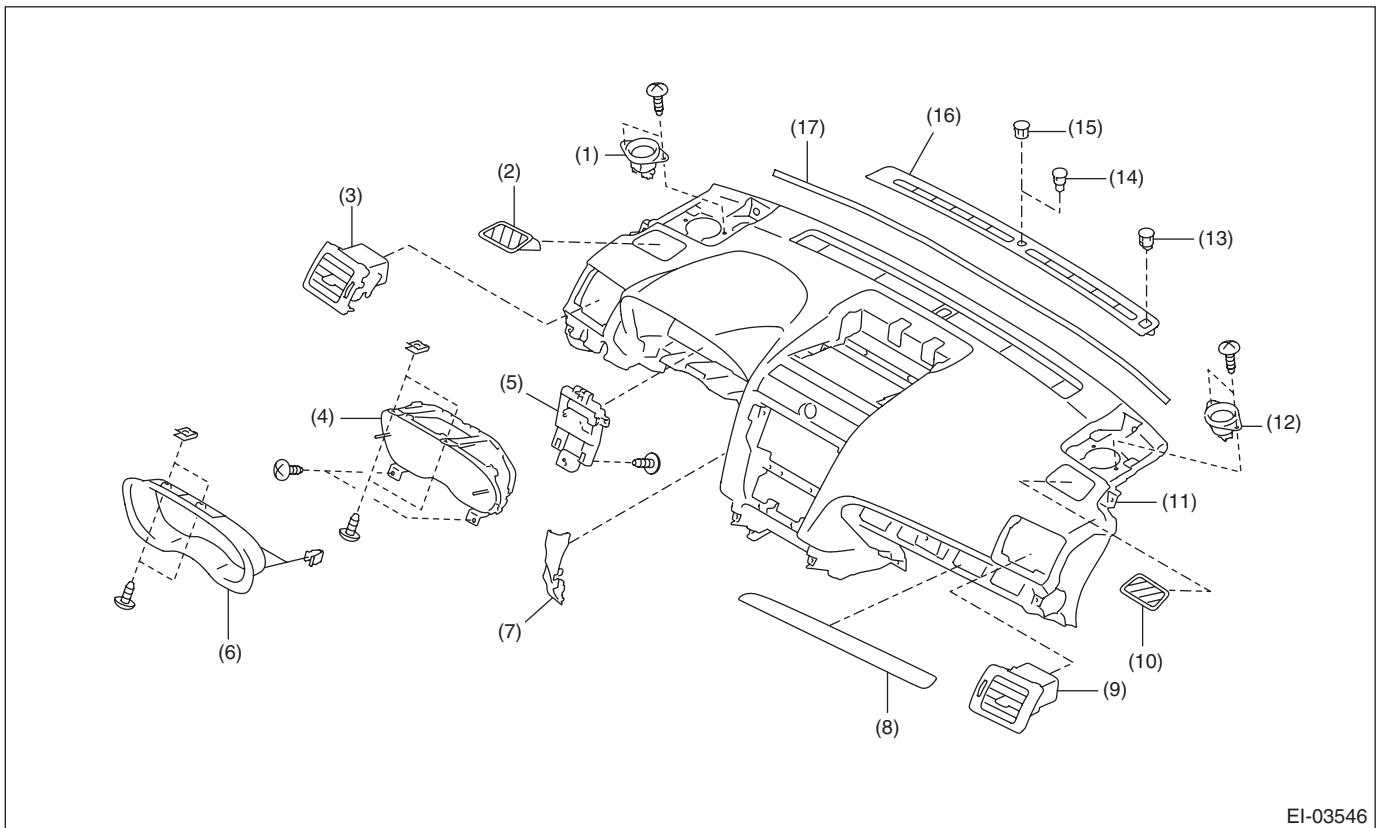


EI-03679

- | | | |
|--|----------------------------|---------------------------------------|
| (1) Panel - switch | (8) Panel center LWR RH | (14) Damper COMPL - pocket |
| (2) Ornament - panel ASSY driver | (9) Pocket ASSY | (15) Cover - instrument panel side RH |
| (3) Lid ASSY - fuse box | (10) Key cylinder - pocket | (16) Grille speaker side RH |
| (4) Cover ASSY - instrument panel LWR driver OUT | (11) Back panel - pocket | (17) Cap - guide pin |
| (5) Cover ASSY - instrument panel LWR driver INN | (12) Light - pocket | (18) Panel COMPL - instrument |
| (6) Case - sensor | (13) Holder | (19) Grille speaker side LH |
| (7) Panel center LWR LH | | |

General Description

EXTERIOR/INTERIOR TRIM

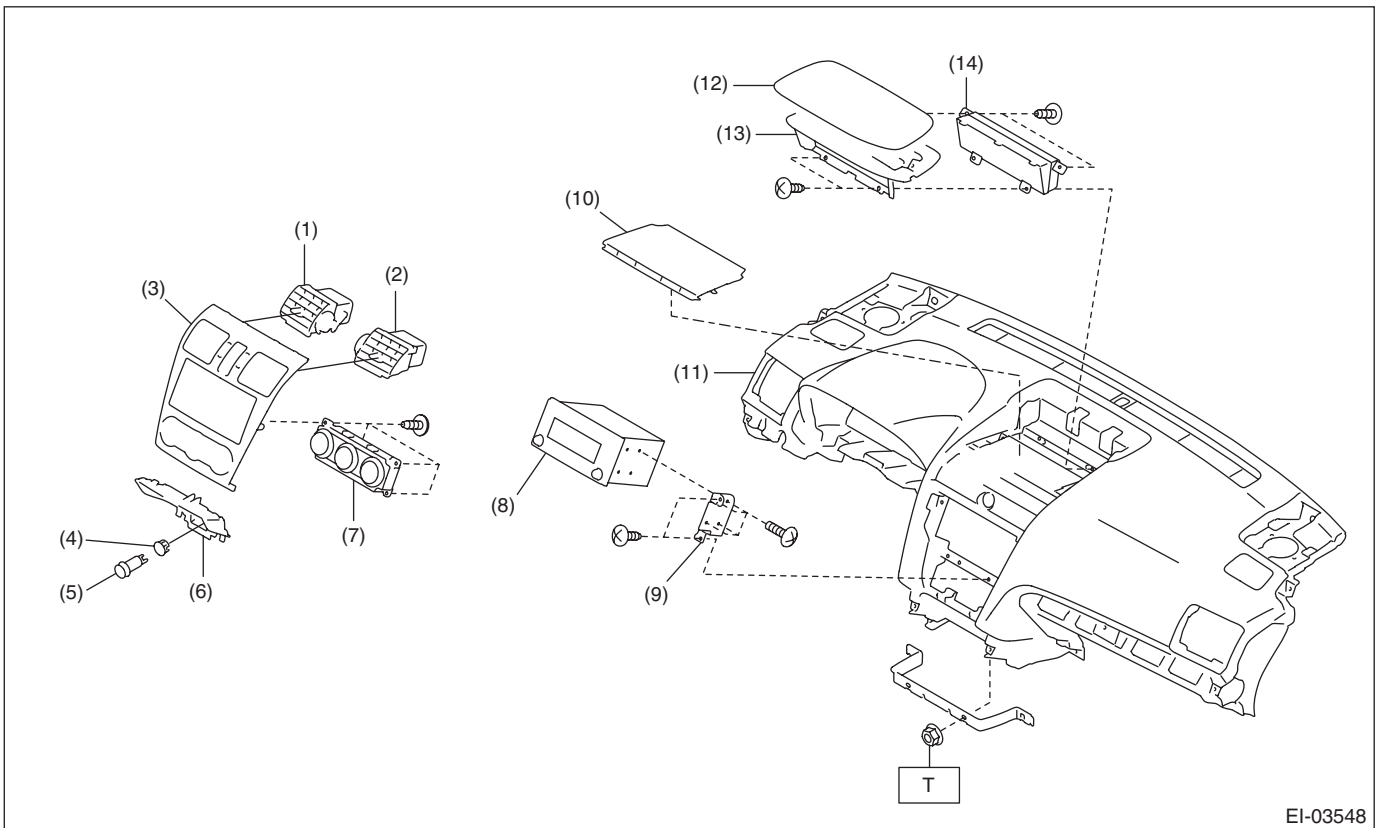


EI-03546

- | | | |
|---------------------------------------|-------------------------------------|-----------------------------------|
| (1) Speaker ASSY - tweeter LH | (7) Cover - switch starter | (13) Sensor - rain |
| (2) Grille defroster - front LH | (8) Ornament - panel ASSY passenger | (14) Sensor - sunload |
| (3) Grille ASSY - ventilation LH | (9) Grille ASSY - ventilation RH | (15) Cap |
| (4) Combination meter ASSY | (10) Grille defroster - front RH | (16) Panel COMPL - instrument UPR |
| (5) Reinforcement - combination meter | (11) Panel COMPL - instrument | (17) Cushion |
| (6) Visor - combination meter | (12) Speaker ASSY - tweeter RH | |

General Description

EXTERIOR/INTERIOR TRIM



EI-03548

- (1) Grille ASSY - CTR ventilation LH
- (2) Grille ASSY - CTR ventilation RH
- (3) Panel center ASSY
- (4) Cap
- (5) Socket ASSY
- (6) Back panel - center pocket

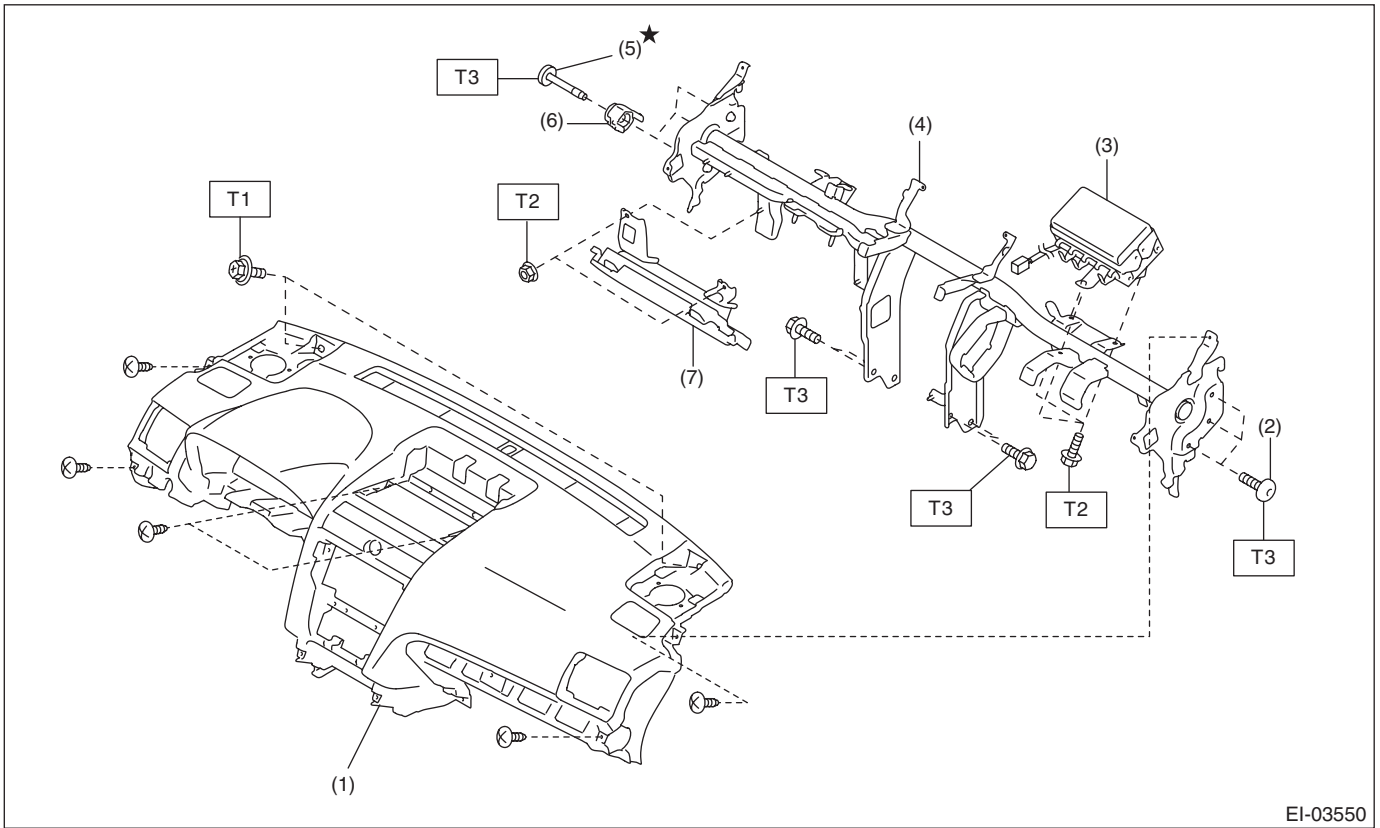
- (7) Heater control ASSY
- (8) Audio ASSY
- (9) Bracket - audio
- (10) Cover center UPR
- (11) Panel COMPL - instrument
- (12) Panel - display UPR

- (13) Panel - display LWR
- (14) Multi-function display ASSY

Tightening torque: N·m (kgf·m, ft·lb)
T: 7 (0.71, 5.2)

General Description

EXTERIOR/INTERIOR TRIM



EI-03550

- | | |
|-------------------------------|---------------------------|
| (1) Panel COMPL - instrument | (5) TORX® bolt (M8 × 57) |
| (2) TORX® bolt (M8 × 37) | (6) Adjuster - clip space |
| (3) Passenger's airbag module | (7) Knee airbag module |
| (4) Beam COMPL - steering | |

Tightening torque: N·m (kgf·m, ft·lb)

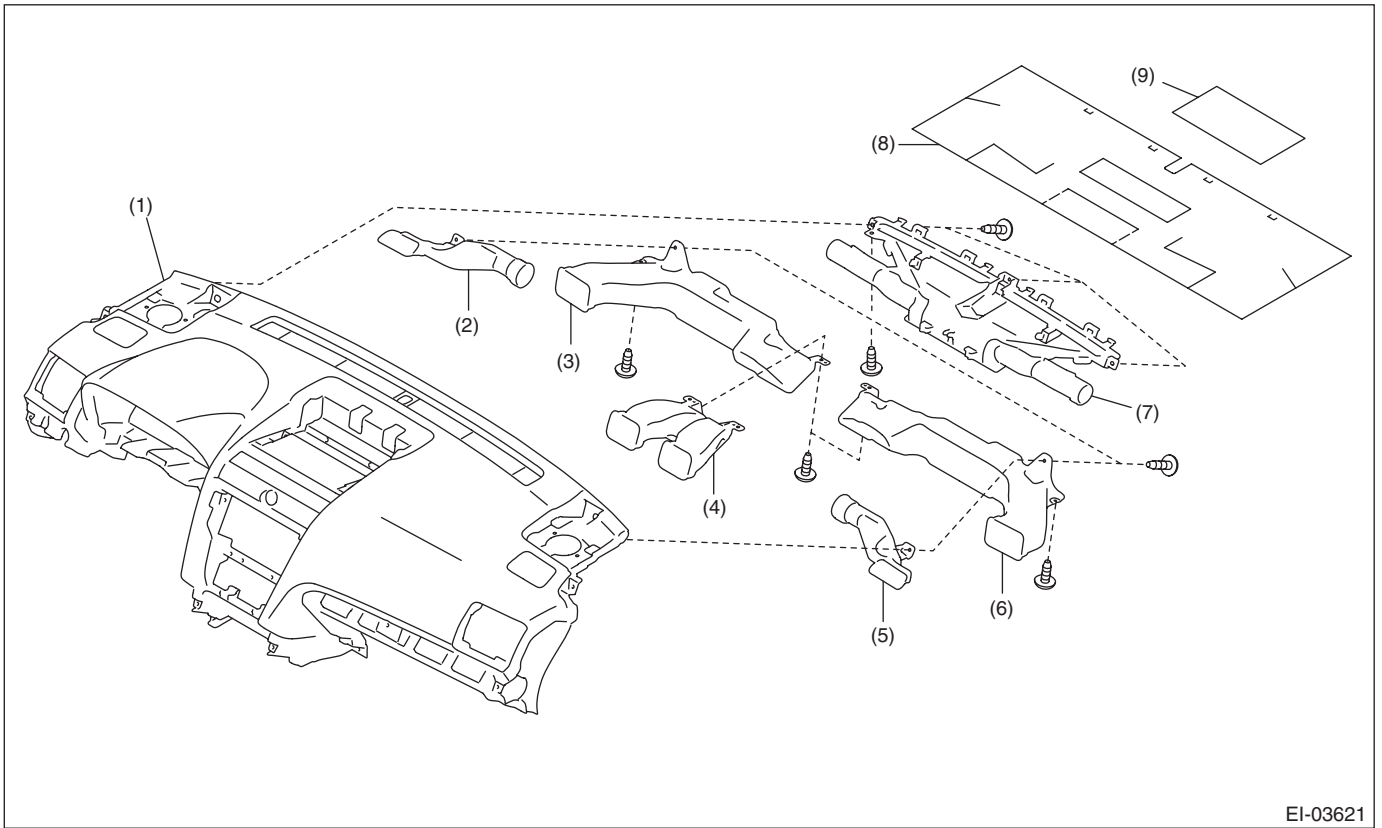
T1: 7 (0.71, 5.2)

T2: 7.5 (0.76, 5.5)

T3: 25 (2.55, 18.4)

General Description

EXTERIOR/INTERIOR TRIM



EI-03621

- (1) Panel COMPL - instrument
- (2) Duct - side defroster LH
- (3) Duct - side ventilation LH

- (4) Duct - center vent
- (5) Duct - side defroster RH
- (6) Duct - side ventilation RH

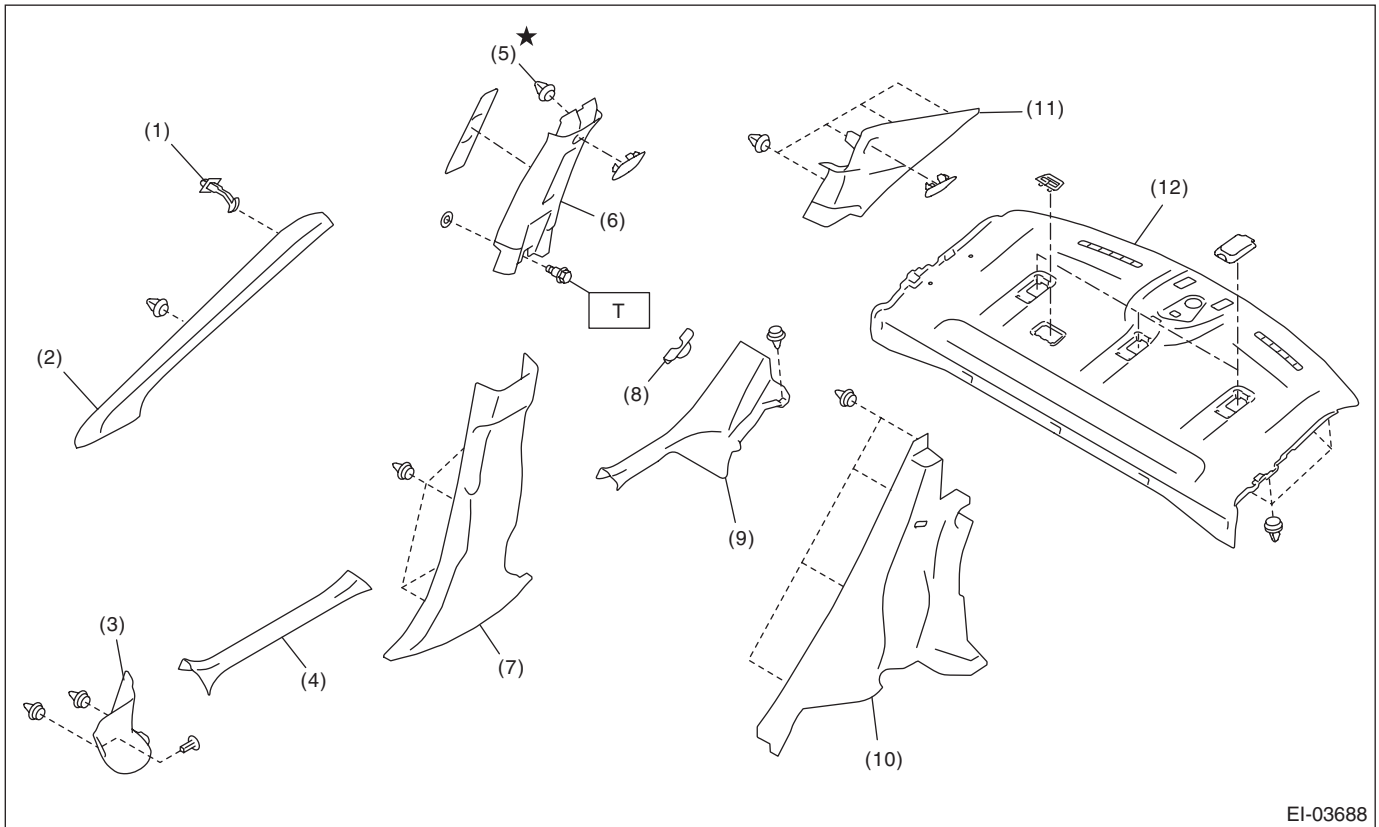
- (7) Nozzle - front defroster
- (8) Insulator - instrument
- (9) Insulator - airbag

General Description

EXTERIOR/INTERIOR TRIM

14.INNER TRIM

- 4 door model



EI-03688

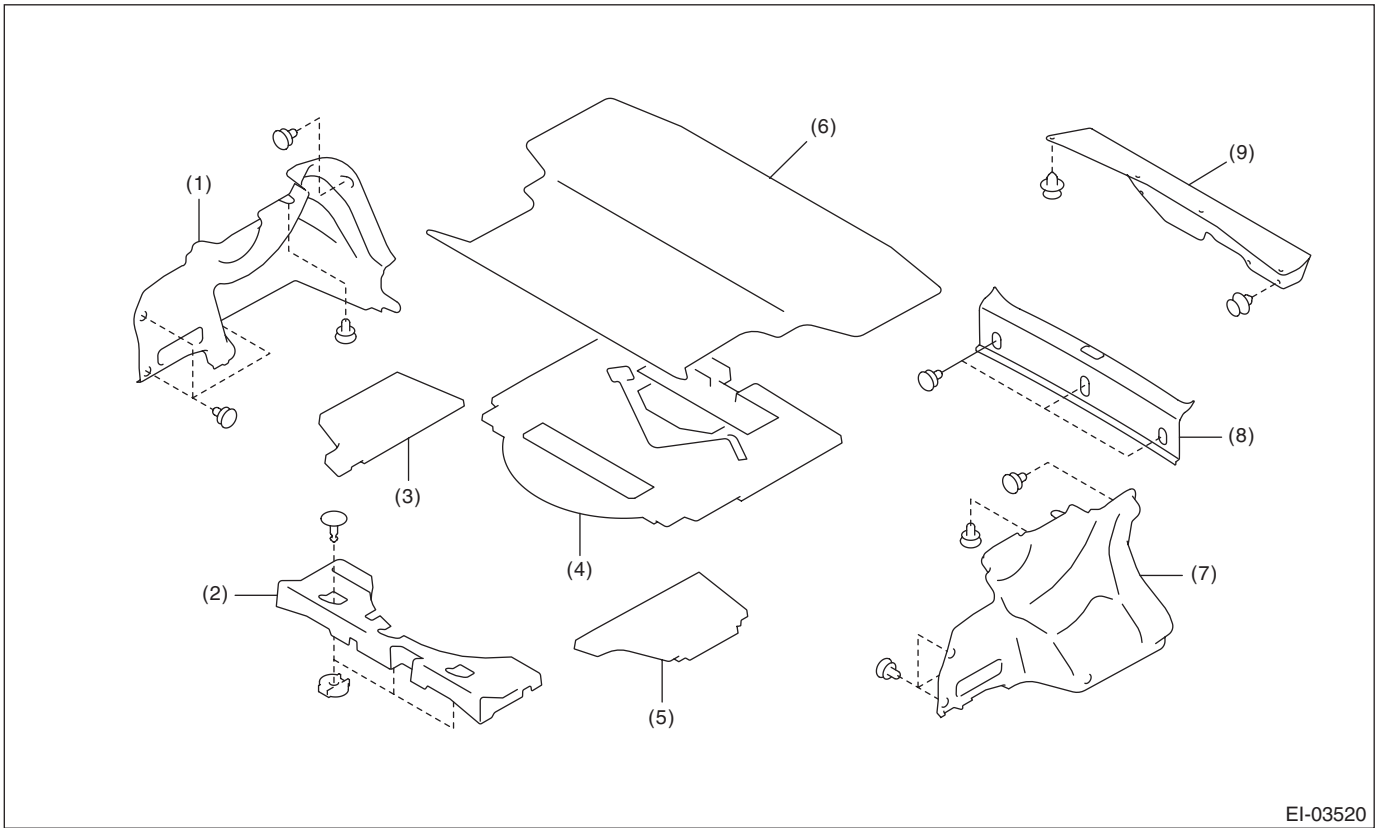
- | | | |
|-----------------------------------|------------------------------------|-----------------------------------|
| (1) Tether clip | (6) Trim panel - center pillar UPR | (11) Trim panel - rear pillar UPR |
| (2) Trim panel - front pillar UPR | (7) Trim panel - center pillar LWR | (12) Trim panel ASSY - rear shelf |
| (3) Cover side sill - front | (8) Cover - catcher | |
| (4) Cover side sill - front INN | (9) Cover side sill - rear INN | |
| (5) Clip | (10) Trim panel - rear pillar LWR | |

Tightening torque: N·m (kgf·m, ft·lb)

T: 7.5 (0.76, 5.5)

General Description

EXTERIOR/INTERIOR TRIM



EI-03520

- (1) Trim panel - trunk side RH
- (2) Spacer - rear floor front
- (3) Spacer - rear floor side RH

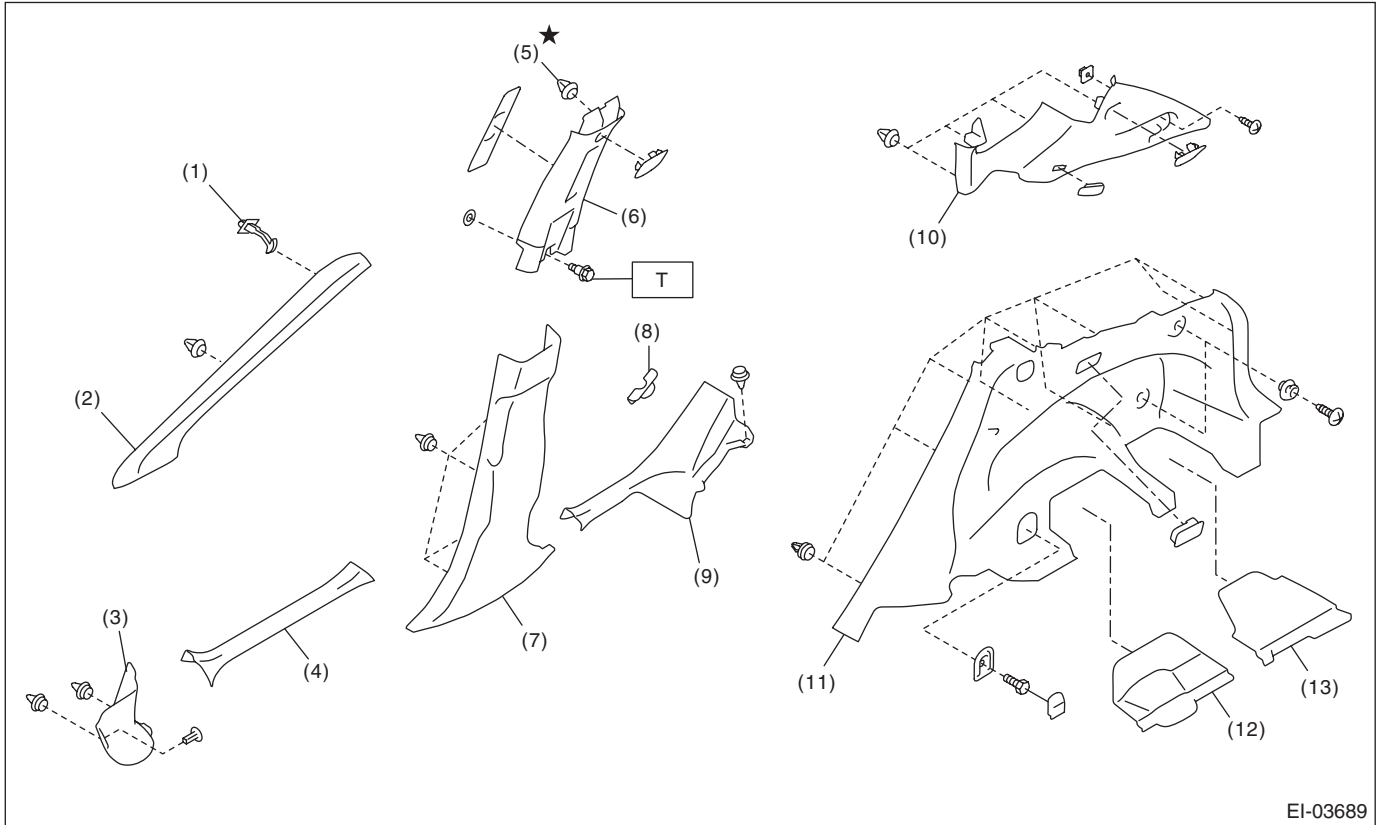
- (4) Sub-trunk ASSY
- (5) Spacer - rear floor side LH
- (6) Mat - trunk

- (7) Trim panel - trunk side LH
- (8) Trim panel - trunk rear
- (9) Trim panel - trunk lid

General Description

EXTERIOR/INTERIOR TRIM

- 5 door model/XV model



- (1) Tether clip
- (2) Trim panel - front pillar UPR
- (3) Cover side sill - front
- (4) Cover side sill - front INN
- (5) Clip
- (6) Trim panel - center pillar UPR

- (7) Trim panel - center pillar LWR
- (8) Cover - catcher
- (9) Cover side sill - rear INN
- (10) Trim panel - rear quarter UPR
- (11) Trim panel - rear apron
- (12) Cap - rear strut

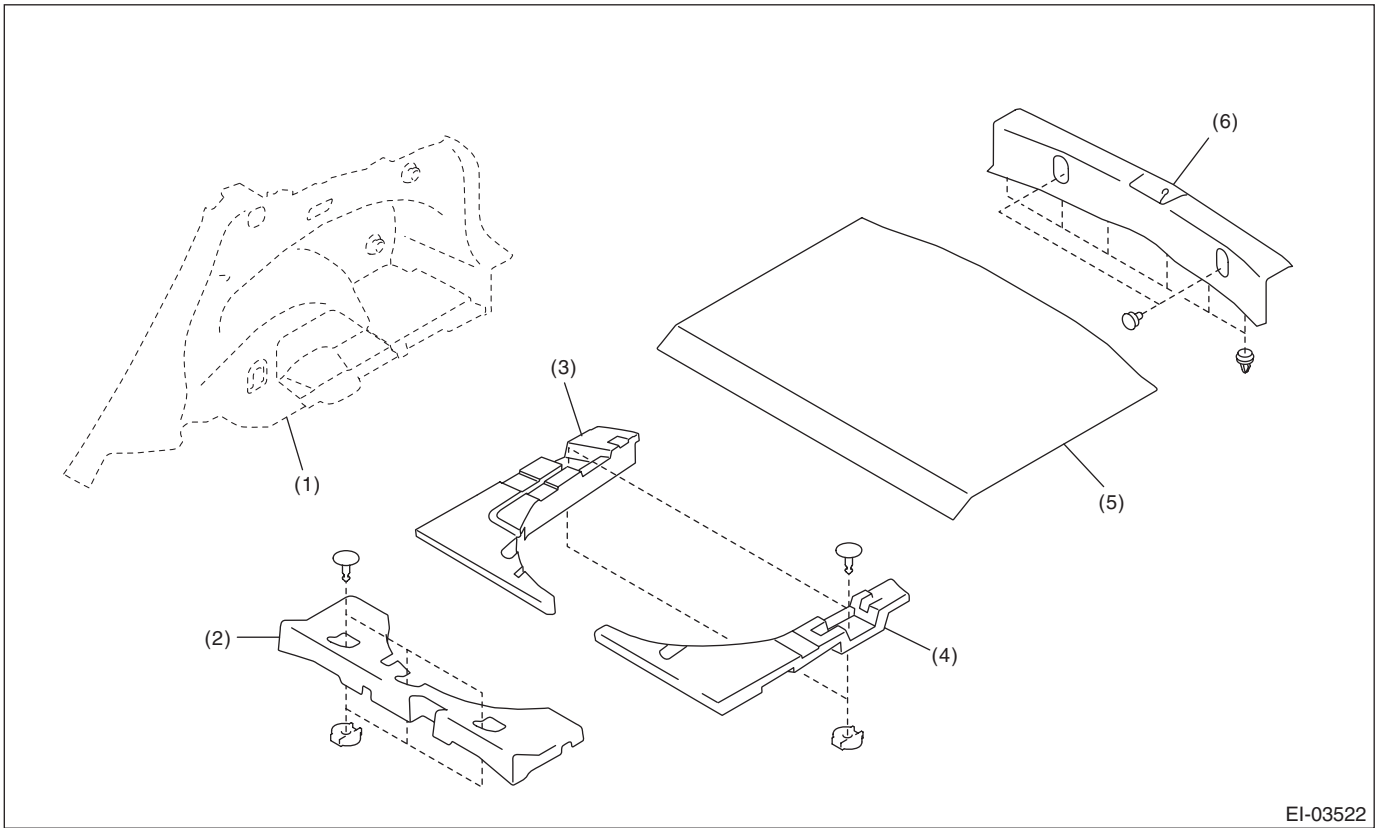
- (13) Lid upper rear

Tightening torque: N·m (kgf·m, ft·lb)

T: 7.5 (0.76, 5.5)

General Description

EXTERIOR/INTERIOR TRIM



EI-03522

(1) Trim panel - rear apron

(2) Spacer - rear floor

(3) Spacer - rear floor side RH

(4) Spacer - rear floor side LH

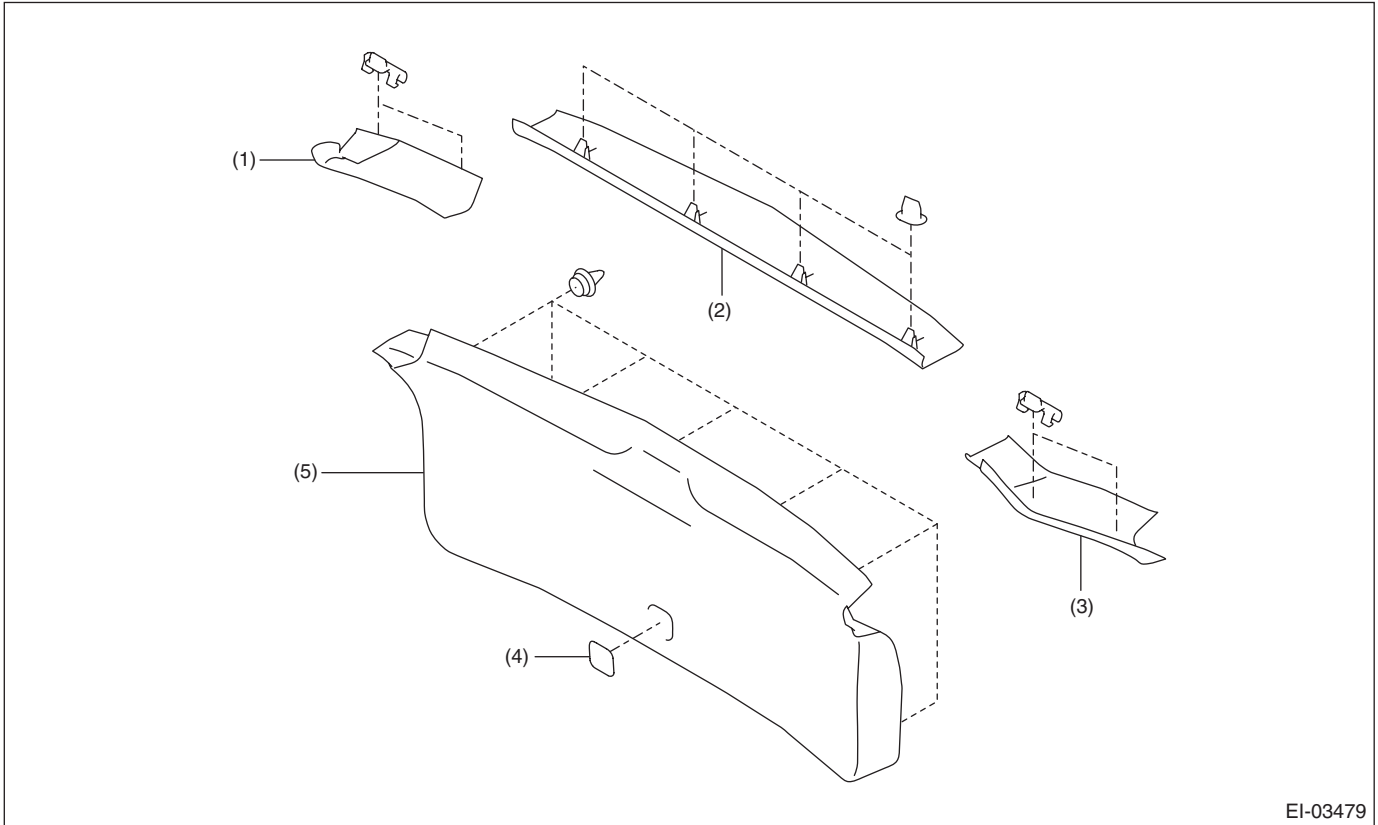
(5) Mat - rear floor CTR

(6) Trim panel - rear skirt

General Description

EXTERIOR/INTERIOR TRIM

15.REAR GATE TRIM



(1) Trim panel - rear gate pillar side
RH

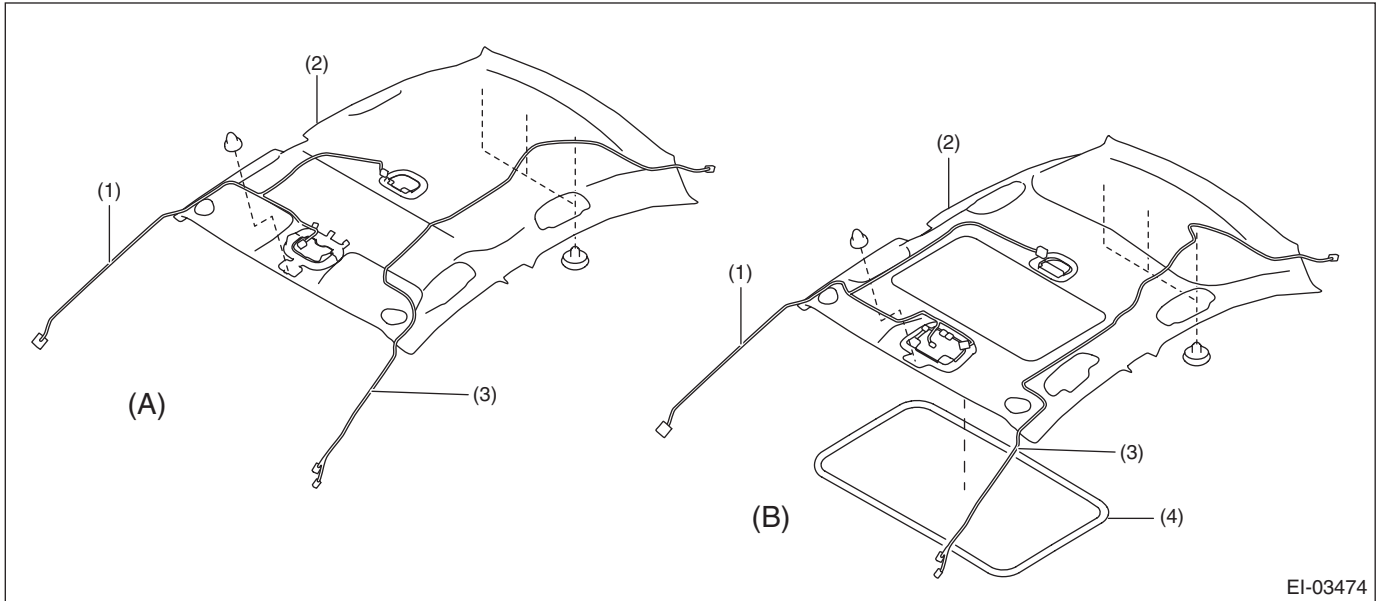
(2) Trim panel - rear gate UPR

(3) Trim panel - rear gate pillar side
LH

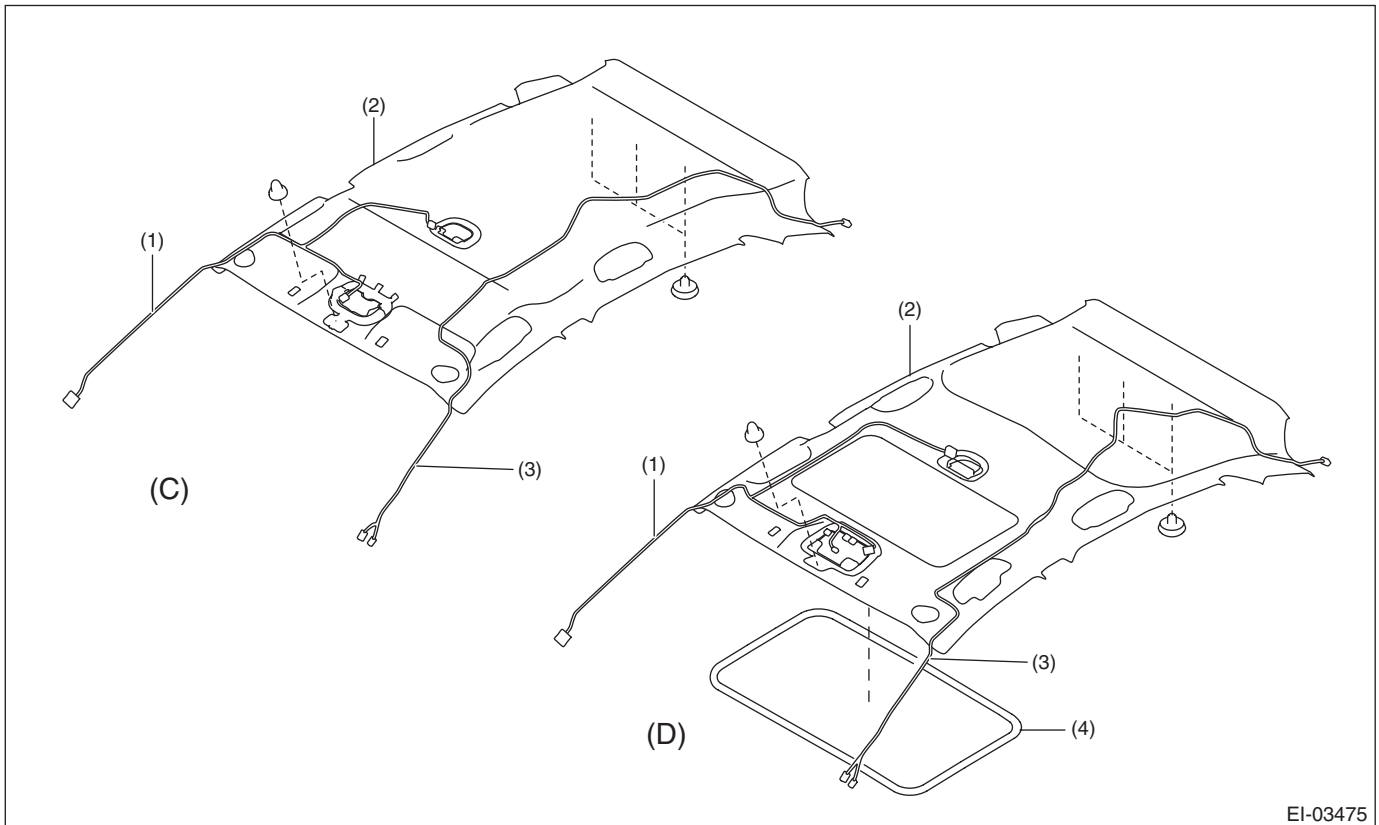
(4) Cap

(5) Trim panel - rear gate LWR

16. ROOF TRIM



EI-03474



EI-03475

(A) Normal roof type (4 door model)

(B) Sunroof type (4 door model)

(C) Normal roof type (5 door model/
XV model)

(D) Sunroof type (5 door model/
XV model)

(1) Cord - roof

(3) Cord ASSY - antenna feeder

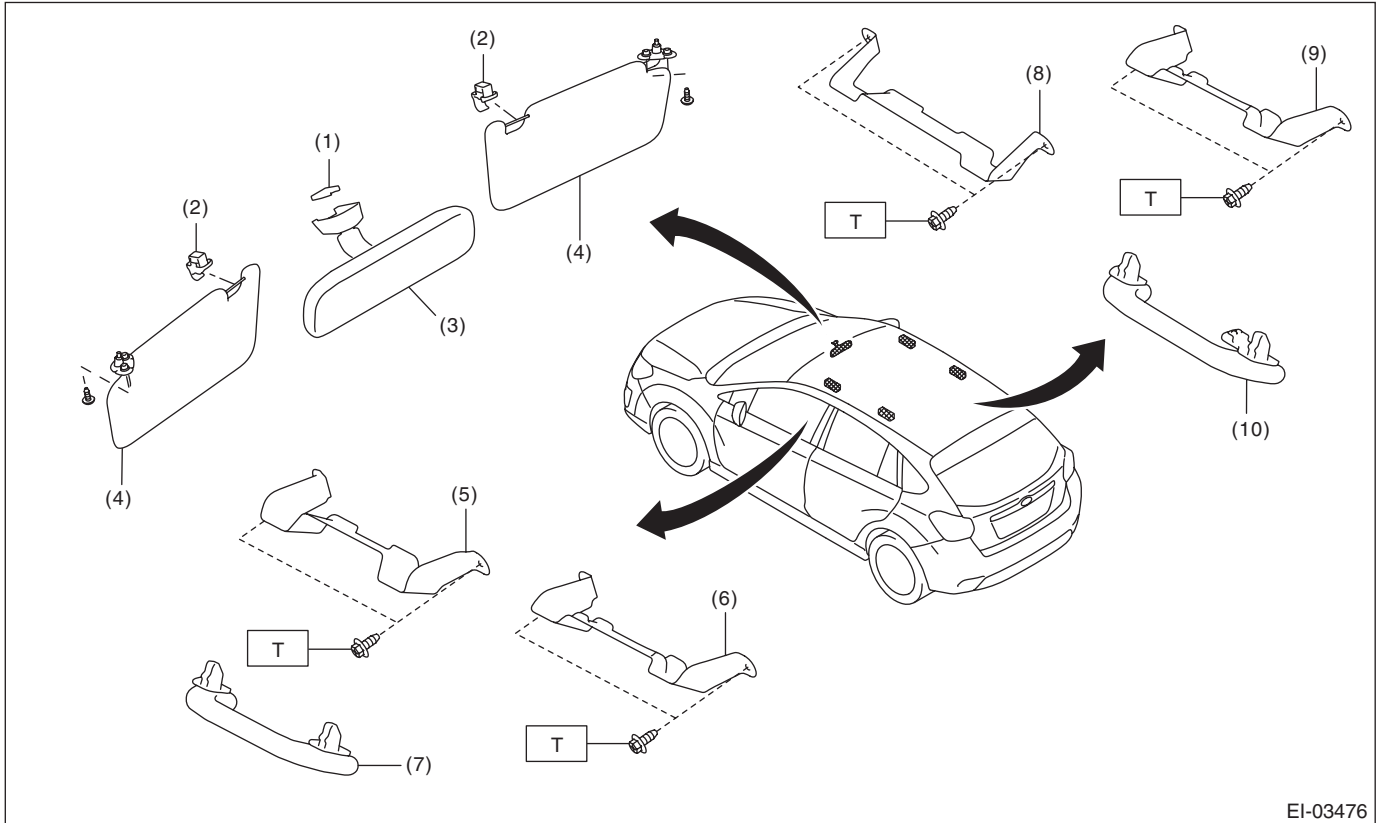
(4) Garnish - roof

(2) Trim panel - roof ASSY

General Description

EXTERIOR/INTERIOR TRIM

17.ROOM INNER PARTS

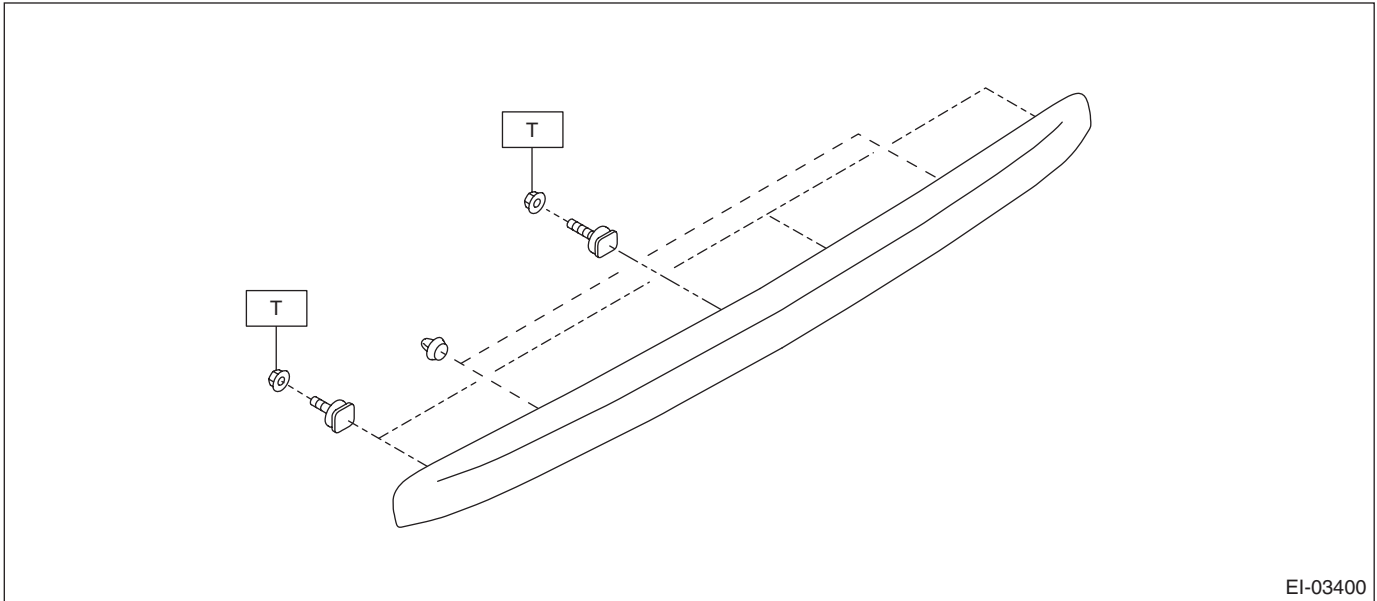


- | | |
|--|---|
| (1) Base - inner mirror | (6) Bracket - assist rail front (normal roof) |
| (2) Hook - sun visor | (7) Assist rail - front |
| (3) Mirror ASSY rearview inner | (8) Bracket - assist rail rear (model with sunroof) |
| (4) Sun visor ASSY | (9) Bracket - assist rail rear (normal roof) |
| (5) Bracket - assist rail front (model with sunroof) | (10) Assist rail - rear |

Tightening torque: N·m (kgf·m, ft·lb)

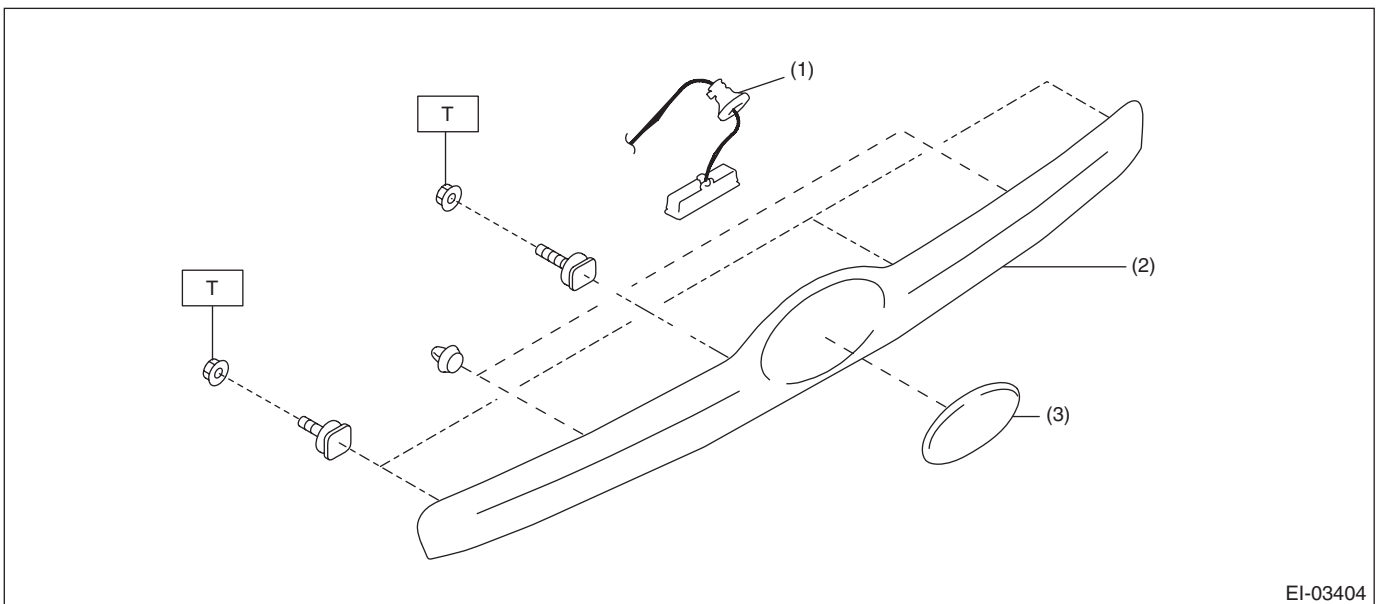
T: 7.5 (0.76, 5.5)

18. TRUNK LID GARNISH



Tightening torque: N·m (kgf·m, ft·lb)
T: 4.5 (0.46, 3.3)

19. REAR GATE GARNISH



- (1) Switch - opener rear gate
- (2) Garnish assembly - rear gate
- (3) Ornament rear

Tightening torque: N·m (kgf·m, ft·lb)
T: 4.5 (0.46, 3.3)

General Description

EXTERIOR/INTERIOR TRIM

B: PREPARATION TOOL

TOOL NAME	REMARKS
Clip remover	Used for removing trim. <ul style="list-style-type: none">• KTC AP201-10A• KTC AP201-N• KTC AP203-10A• KTC AP20L-10B or equivalent
Clip clamp pliers	Used for removal of various clips and clamps. <ul style="list-style-type: none">• KTC CCP-190 or equivalent