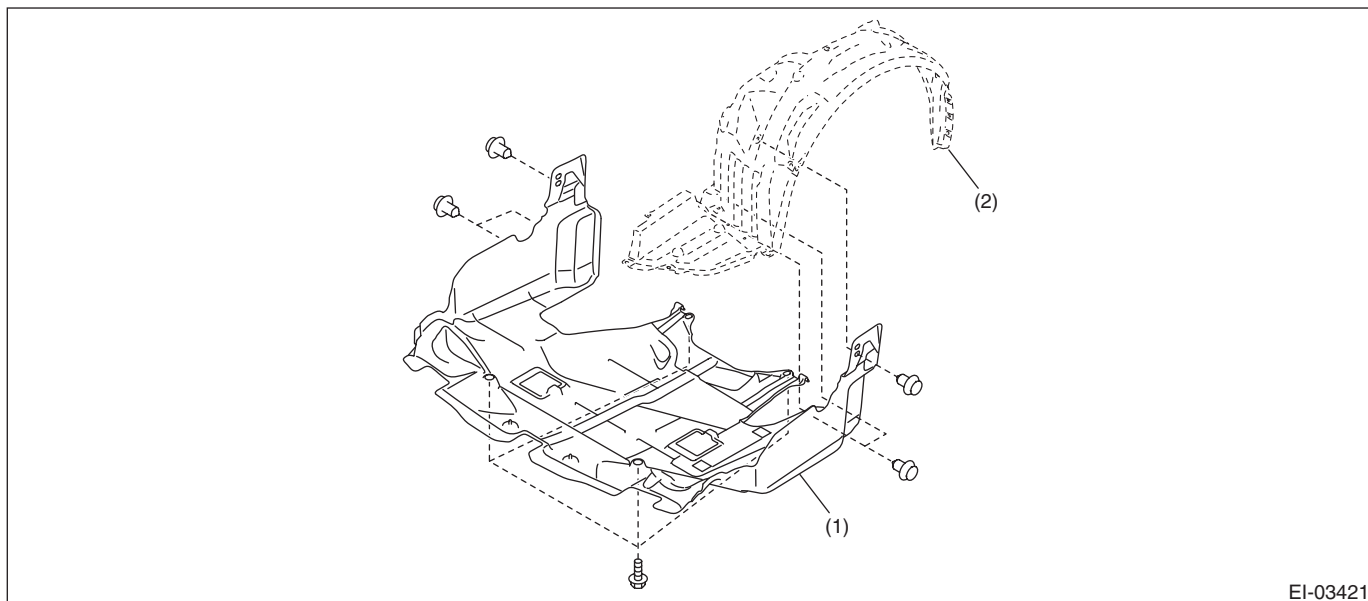


2. Front Under Cover

A: REMOVAL

- 1) Lift up the vehicle.
- 2) Remove the bolts and clips, and remove the under cover - front.



EI-03421

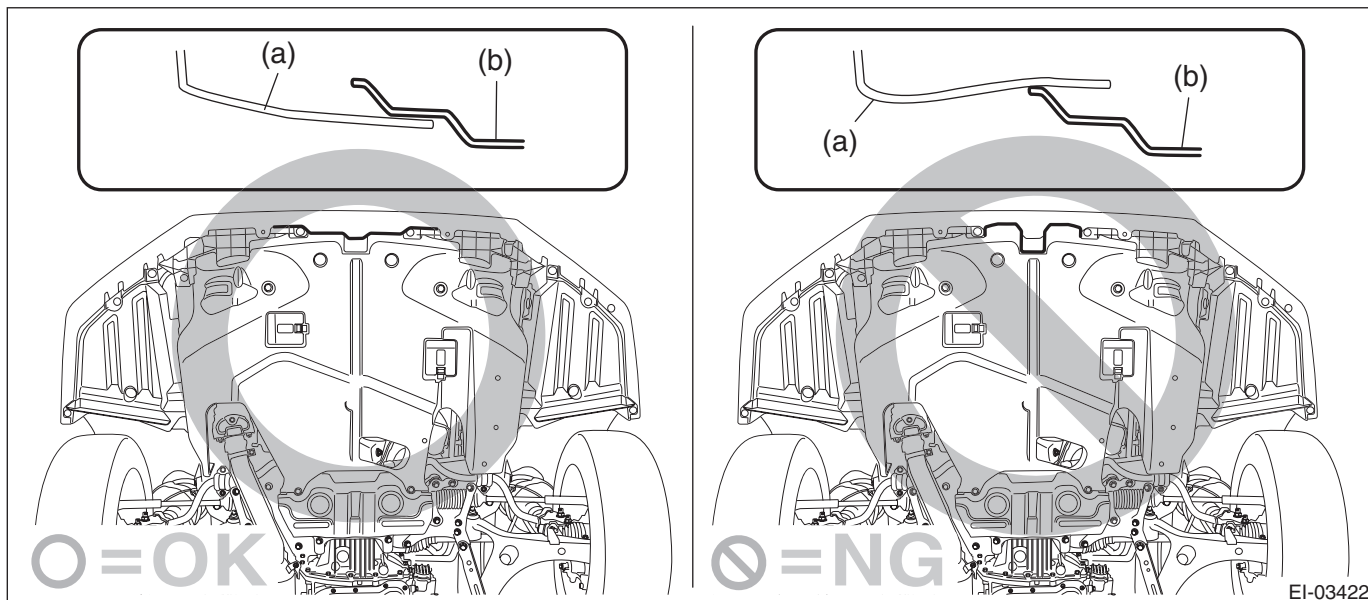
(1) Under cover - front

(2) Mud guard - front

B: INSTALLATION

CAUTION:

Install the under cover so that the under cover front end (b) comes inside of the bumper face - front (a).



EI-03422

Install each part in the reverse order of removal.

Tightening torque:

18 N·m (1.84 kgf·m, 13.3 ft·lb)