

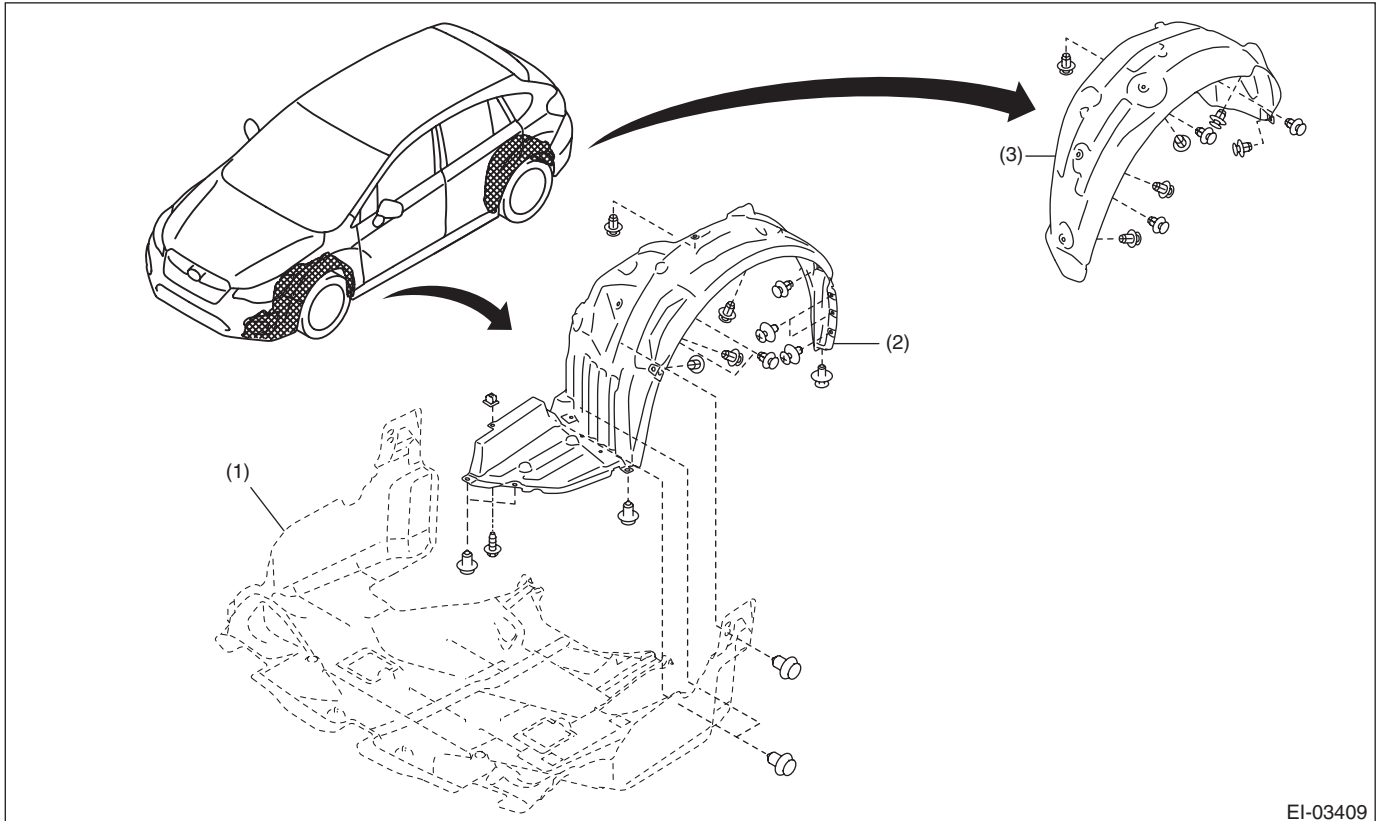
Mud Guard

EXTERIOR/INTERIOR TRIM

3. Mud Guard

A: REMOVAL

- 1) Lift up the vehicle.
- 2) Remove the wheels.
- 3) Remove the screws and clips to remove the mud guard.



EI-03409

(1) Under cover - front

(2) Mud guard - front

(3) Mud guard - rear

B: INSTALLATION

Install each part in the reverse order of removal.

Tightening torque:

Wheel nut: 120 N·m (10.24 kgf-m, 88.5 ft-lb)