

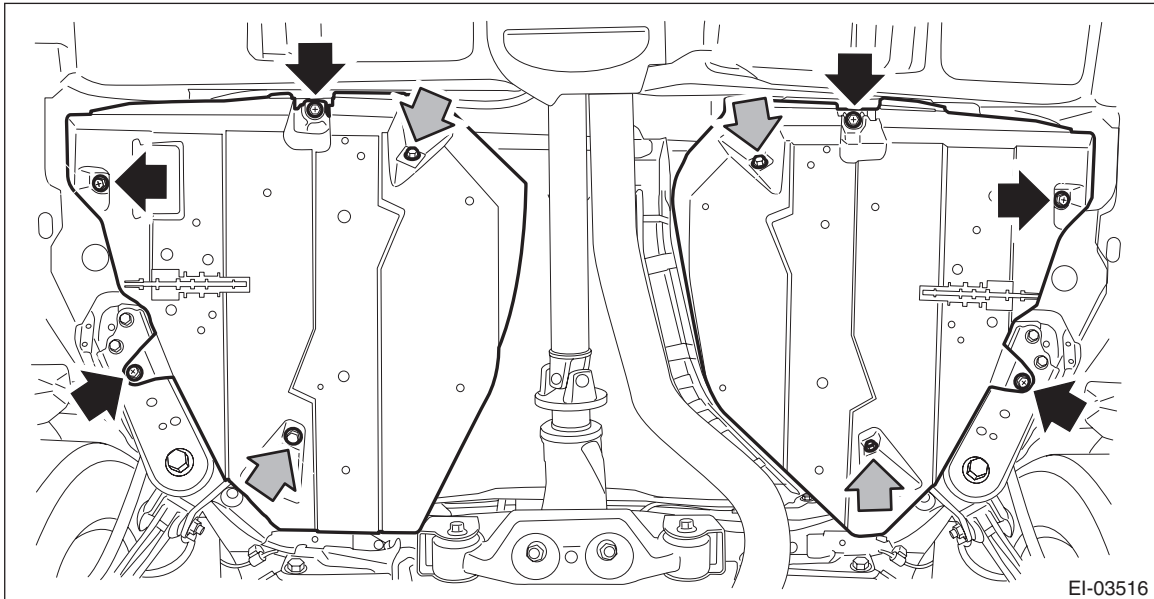
Fuel Tank Protector

EXTERIOR/INTERIOR TRIM

5. Fuel Tank Protector

A: REMOVAL

- 1) Lift up the vehicle.
- 2) Remove the bolts and nuts and remove the fuel tank protector.



B: INSTALLATION

CAUTION:

Do not reuse the nut (self locking nut). Always replace with a new part.
Install each part in the reverse order of removal.

Tightening torque:

Refer to "COMPONENT" of "General Description". <Ref. to EI-3, FUEL TANK PROTECTOR, COMPONENT, General Description.>