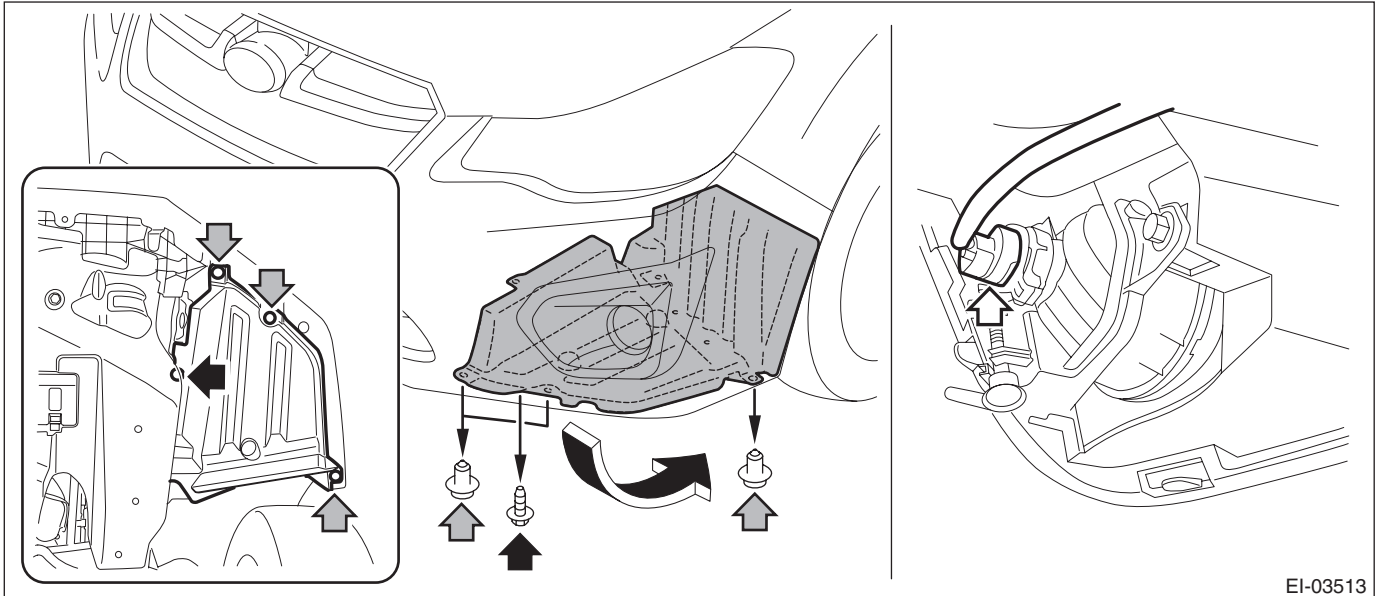


6. Front Grille

A: REMOVAL

1) Remove the bumper face - front.

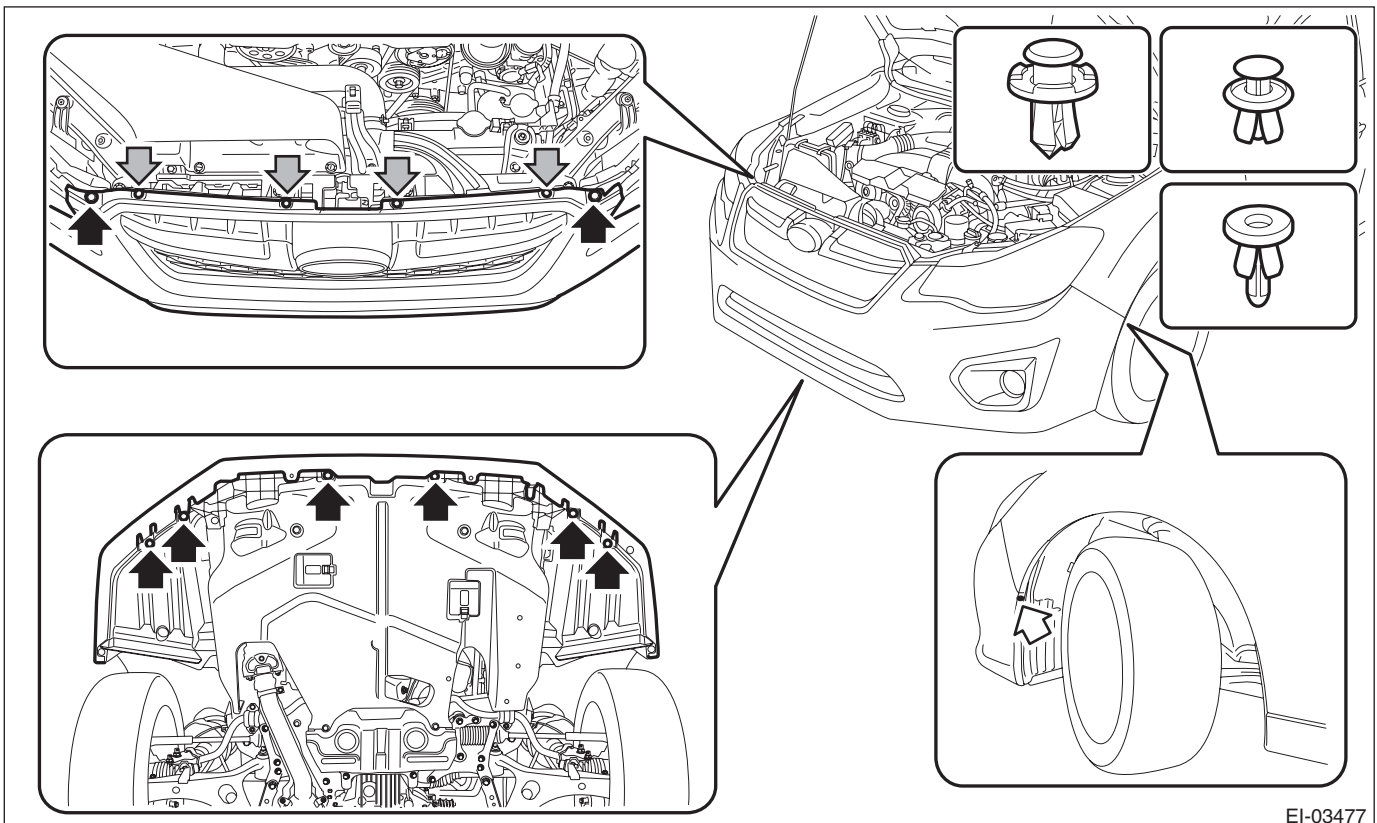
(1) Remove the screws and clips, and turn over the mud guard - front, and then disconnect the connectors of the fog light assembly - front on the LH and RH sides. (Model with fog light)



(2) Remove the clips at the upper side of the bumper face - front.

(3) Remove the clips from the fender.

(4) Remove the clips at the lower side of the bumper face - front.



(5) Apply protective tape (A) to the light assembly - head.

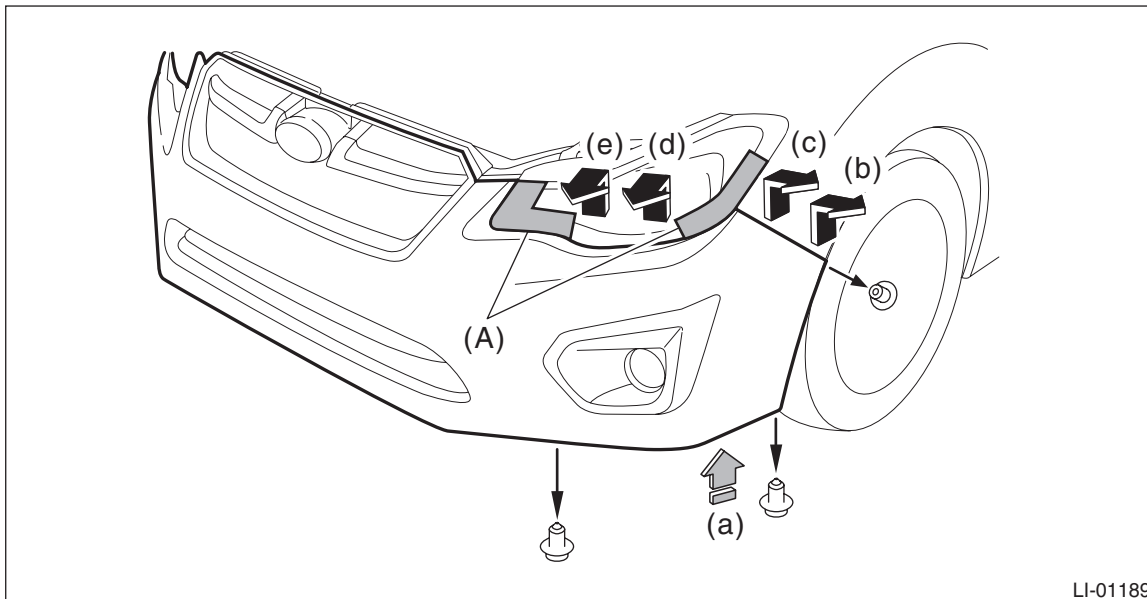
Front Grille

EXTERIOR/INTERIOR TRIM

(6) Release the clips, and while pushing up the lower side (a) of the bumper face - front, remove in the order from (b) to (e).

CAUTION:

Do not pull forcibly. It may damage the flange sections of the bumper face - front.



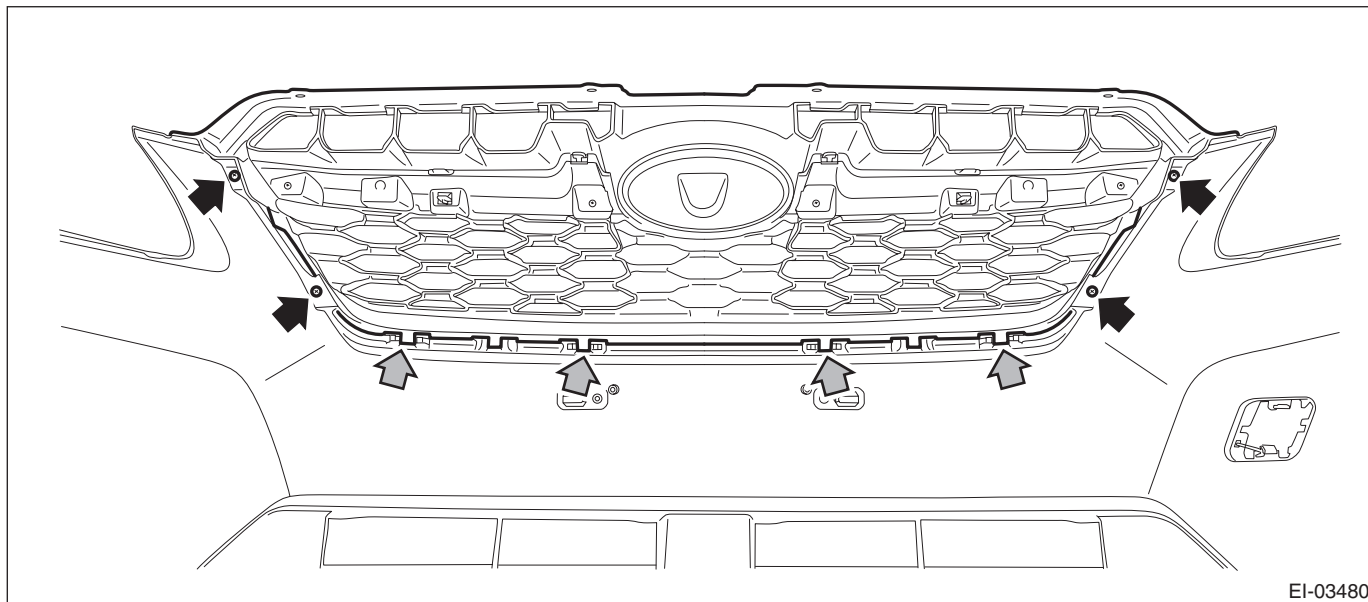
NOTE:

Detach the opposite side in the same manner.

2) Remove the front grille assembly.

(1) Remove the screws from the back side of the bumper face - front.

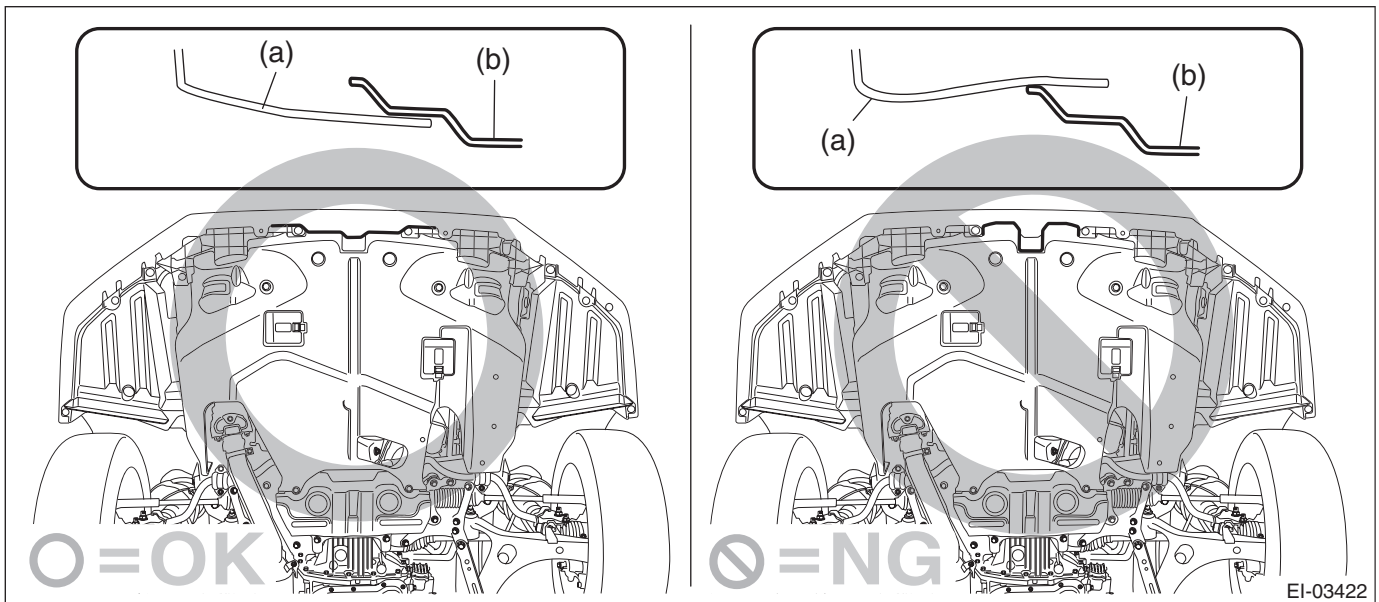
(2) Release the claws, and remove the front grille assembly.



B: INSTALLATION

CAUTION:

Install the bumper face - front so that the front end of the under cover (b) comes inside the bumper face - front (a).



- 1) Install each part in the reverse order of removal.
- 2) Adjust the fog light beam. (model with fog light) <Ref. to LI-54, FOG LIGHT AIMING, ADJUSTMENT, Front Fog Light Assembly.>