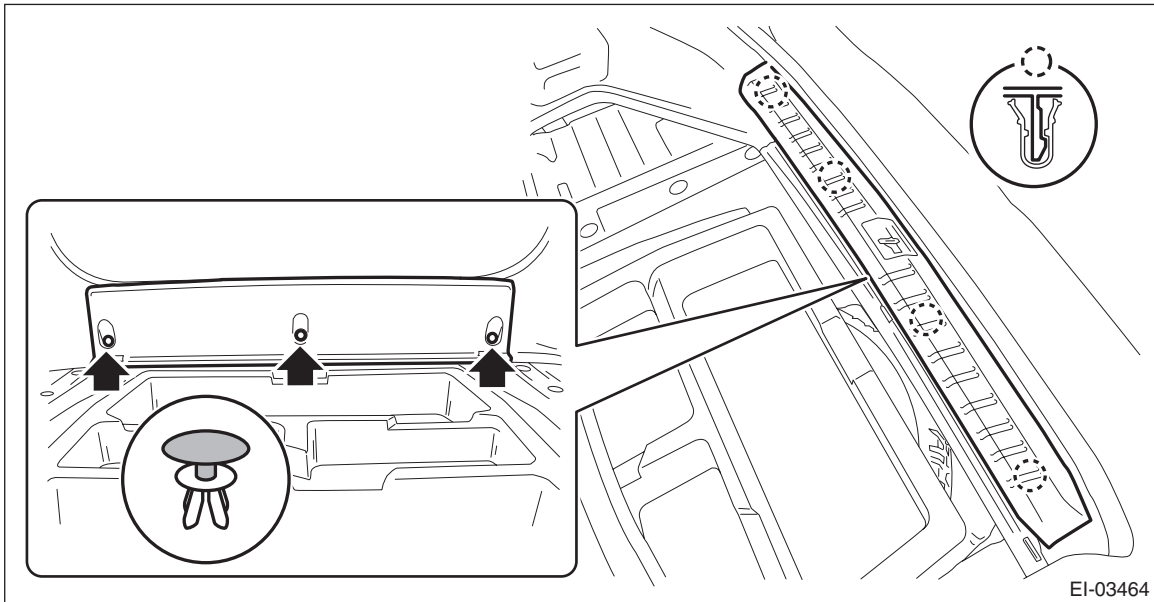


8. Rear Bumper

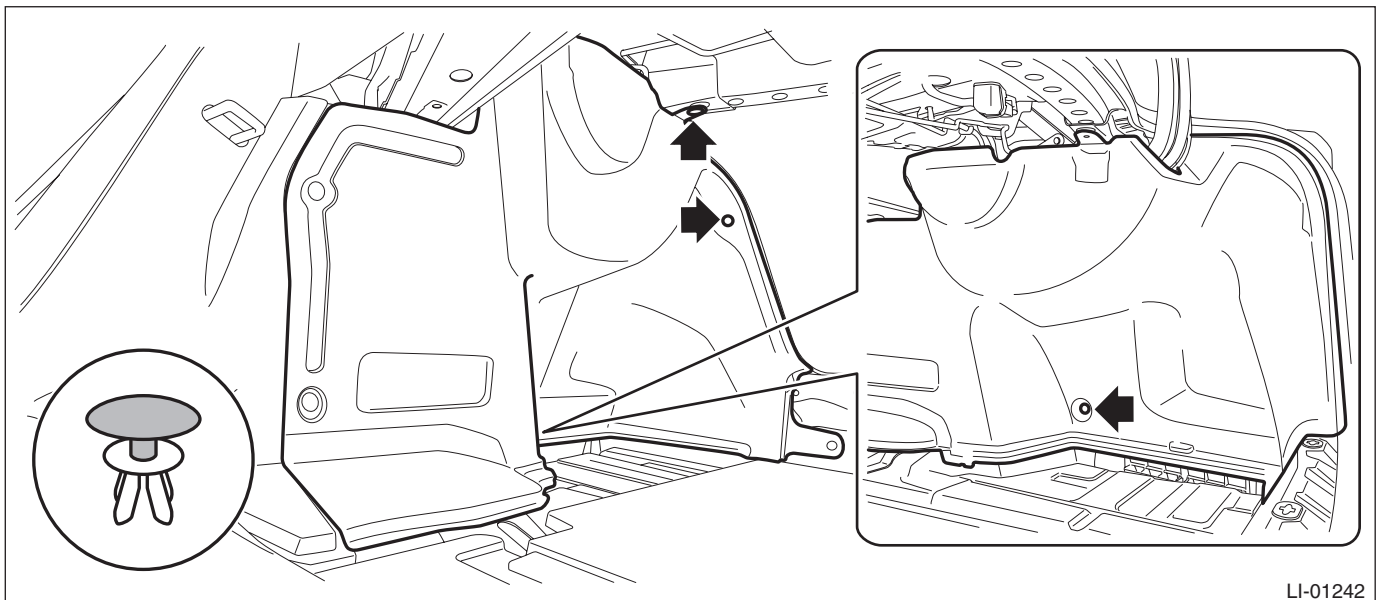
A: REMOVAL

1. 4 DOOR MODEL

- 1) Disconnect the ground cable from battery.
- 2) Remove the trunk room mat.
- 3) Remove the trim panel - trunk rear.
 - (1) Remove the clip.
 - (2) Release the claws, and remove the trim panel - trunk rear.



- 4) Remove the clips, and turn over the trim panel - trunk side.



Rear Bumper

EXTERIOR/INTERIOR TRIM

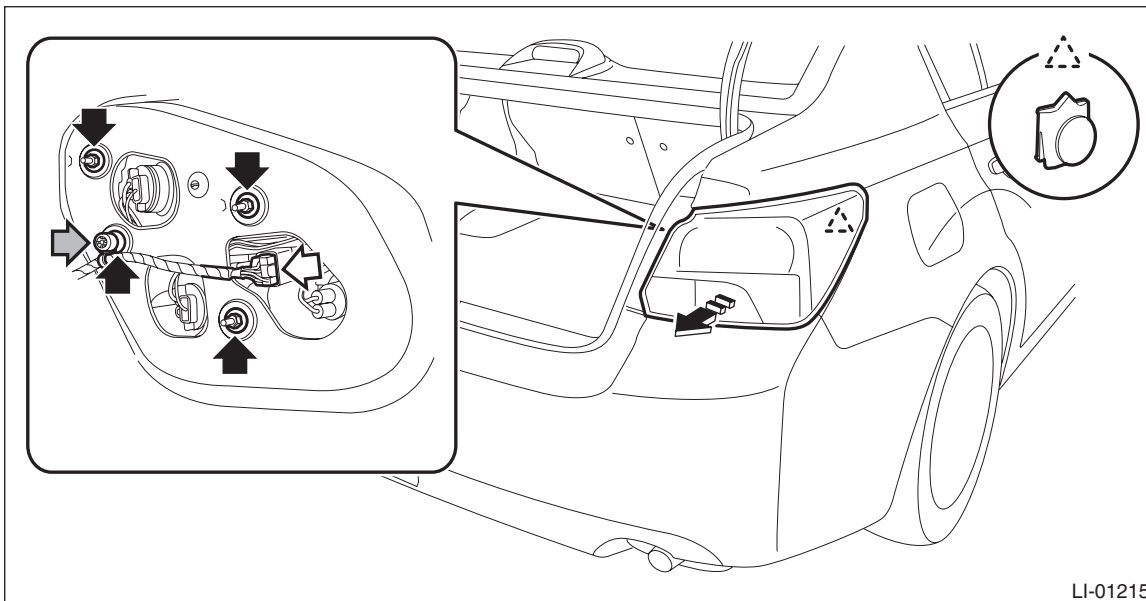
5) Remove the light assembly - rear combination.

(1) Remove the harness clamp and connector.

(2) Release the nuts and clips, then remove the light assembly - rear combination.

CAUTION:

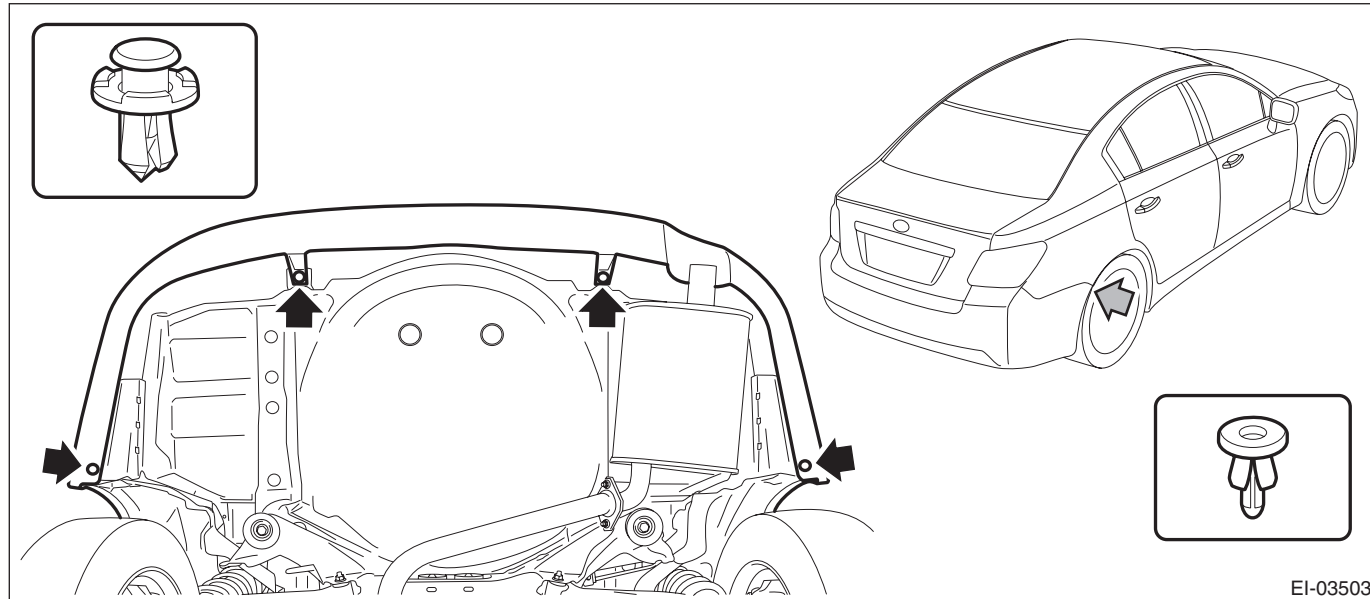
Be careful not to damage the clips.



6) Remove the bumper face - rear.

(1) Remove the clips inside the wheel housing.

(2) Remove the clips at the lower side of the bumper face - rear.



(3) Detach (b) and (c) while pulling up (a) of the bumper face - rear.

(4) Detach (e) while pulling up (d) of the bumper face - rear.

(5) Detach the opposite side in the same manner.

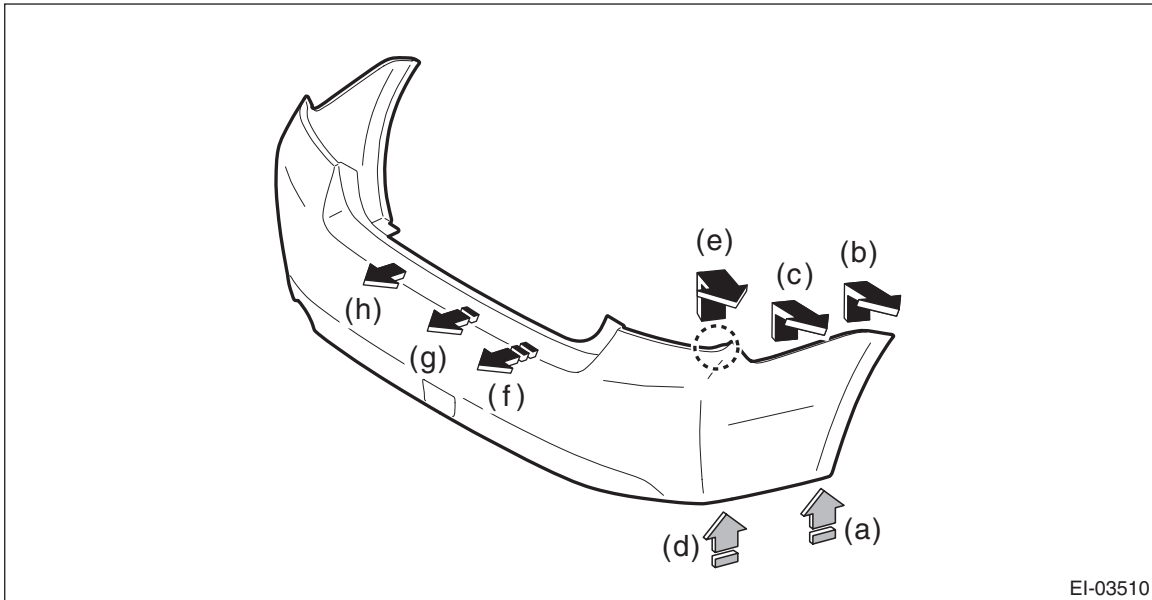
Rear Bumper

EXTERIOR/INTERIOR TRIM

(6) Detach in order from (f) to (h) while pulling up the center part of the bumper face - rear.

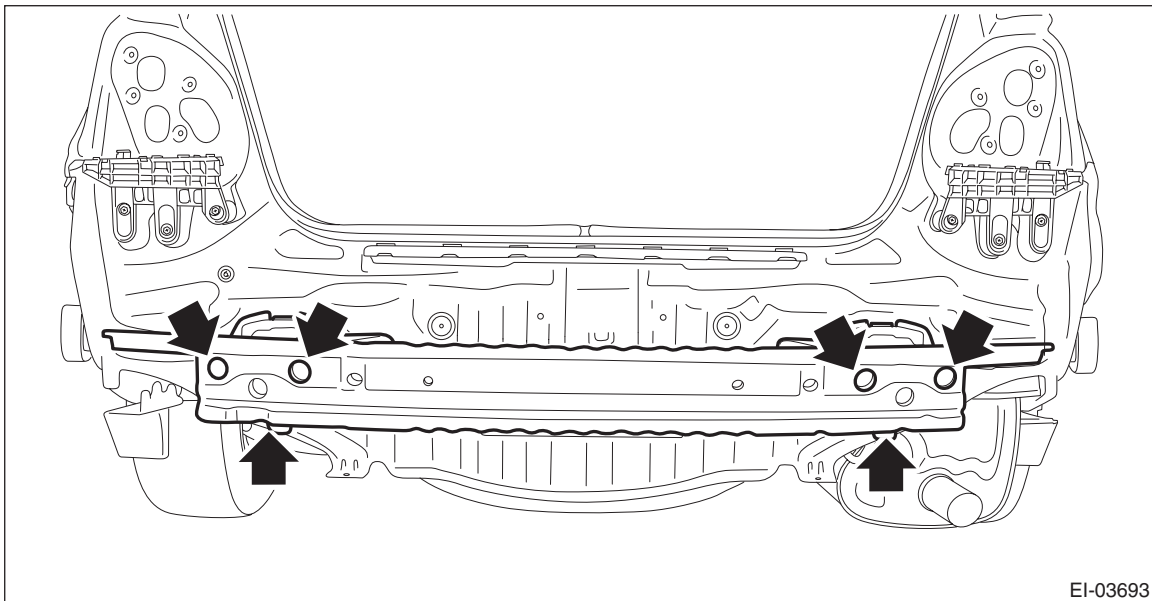
CAUTION:

Pulling with excessive force may damage the bracket.



EI-03510

7) Remove the bolts and nuts, and remove the bumper beam COMPL - rear.



EI-03693

NOTE:

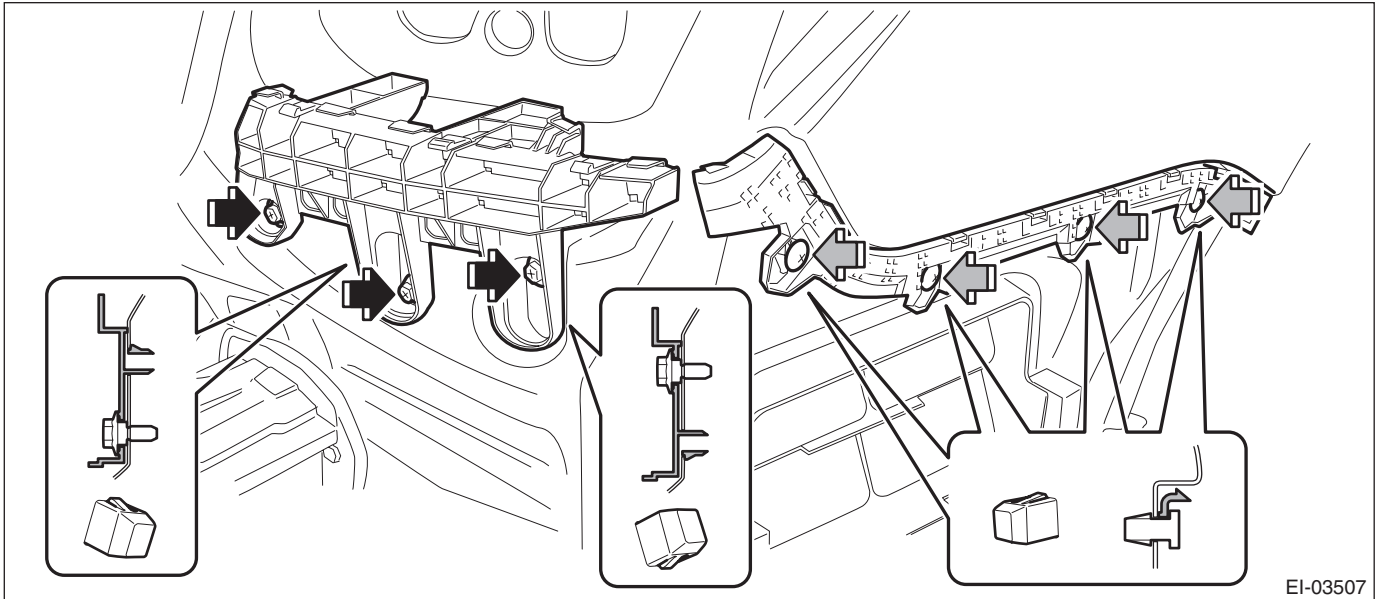
After all nuts are removed, raise the bumper beam COMPL - rear a little to remove it from vehicle body.

Rear Bumper

EXTERIOR/INTERIOR TRIM

8) Remove bumper brackets.

- (1) Remove the screws.
- (2) Turn over the trim panel - trunk side, and detach the claw of the clip from the back side.



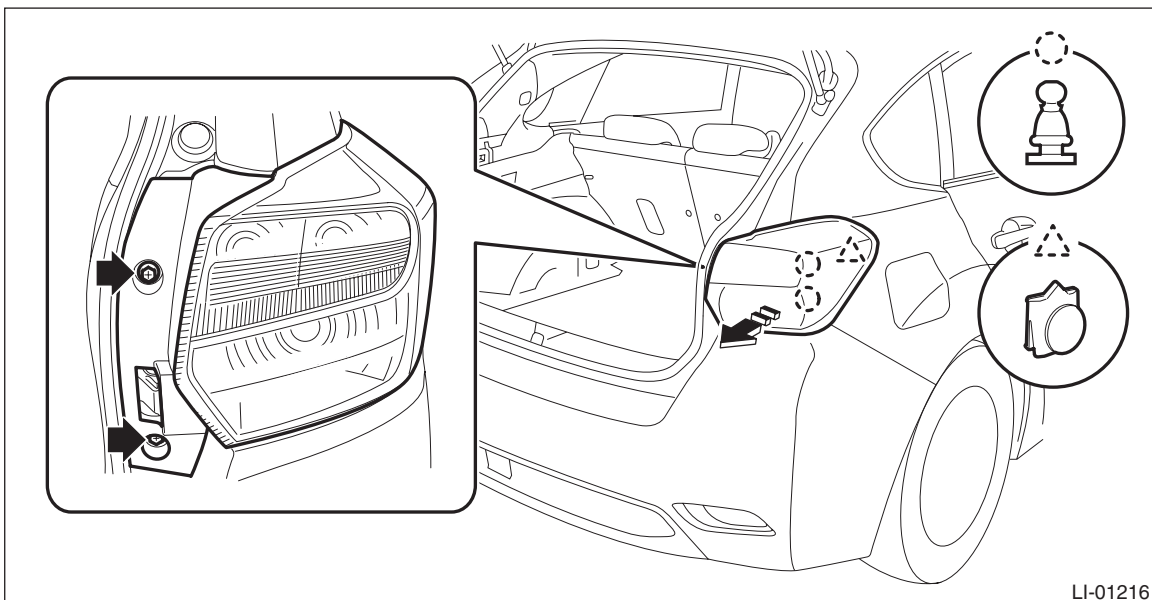
2. 5 DOOR MODEL/XV MODEL

- 1) Disconnect the ground cable from battery.
- 2) Remove the light assembly - rear combination.

CAUTION:

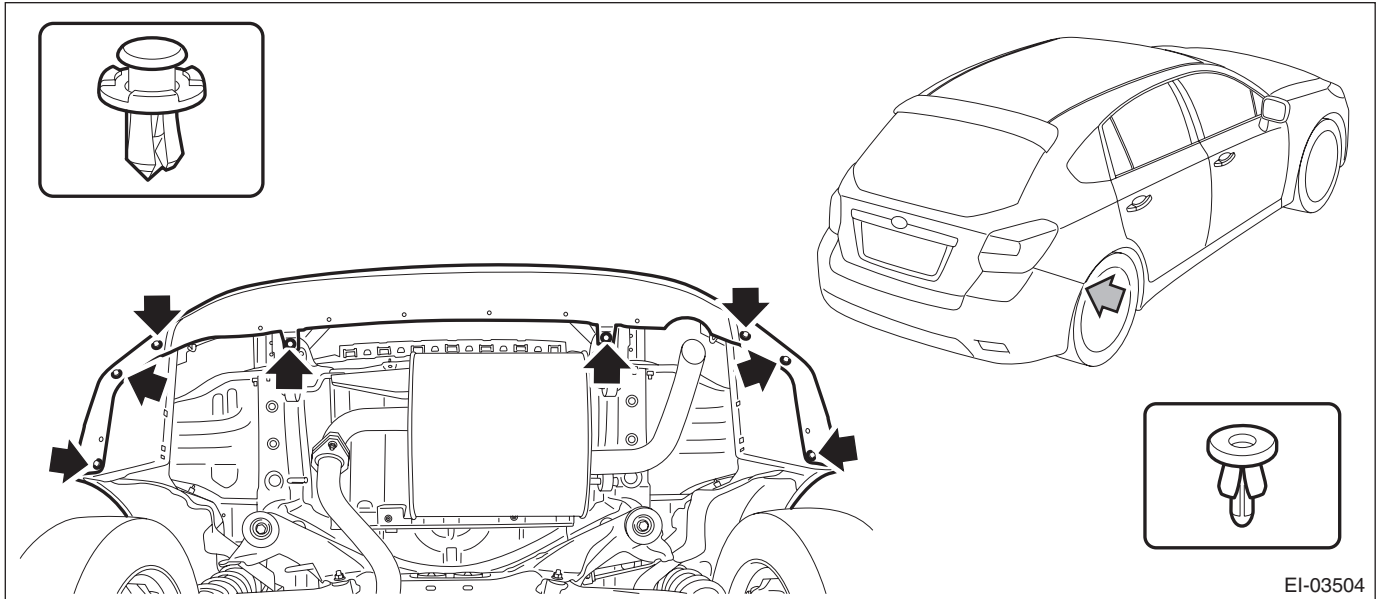
Be careful not to damage the clips.

- (1) Release the bolts and clips, then pull out the light assembly - rear combination to the vehicle rear.
- (2) Disconnect the connector and remove the light assembly - rear combination.



3) Remove the bumper face - rear.

- (1) Remove the clips inside the wheel housing.
- (2) Remove the clips at the lower side of the bumper face - rear.

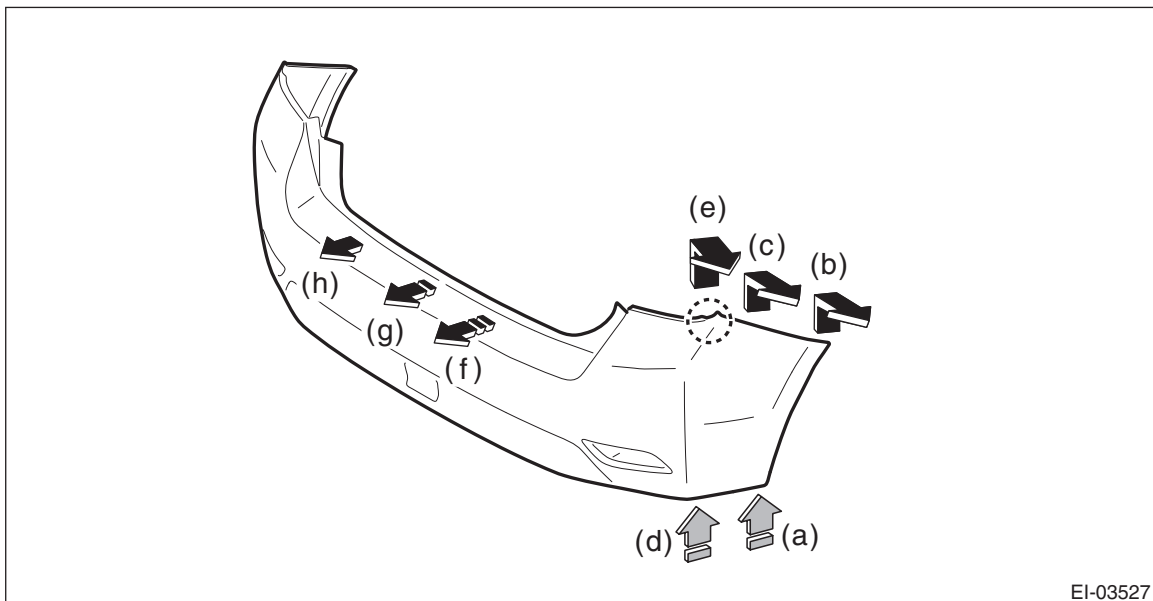


EI-03504

- (3) Detach (b) and (c) while pulling up (a) of the bumper face - rear.
- (4) Detach (e) while pulling up (d) of the bumper face - rear.
- (5) Detach the opposite side in the same manner.
- (6) Detach in order from (f) to (h) while pulling up the center part of the bumper face - rear.

CAUTION:

Pulling with excessive force may damage the bracket.

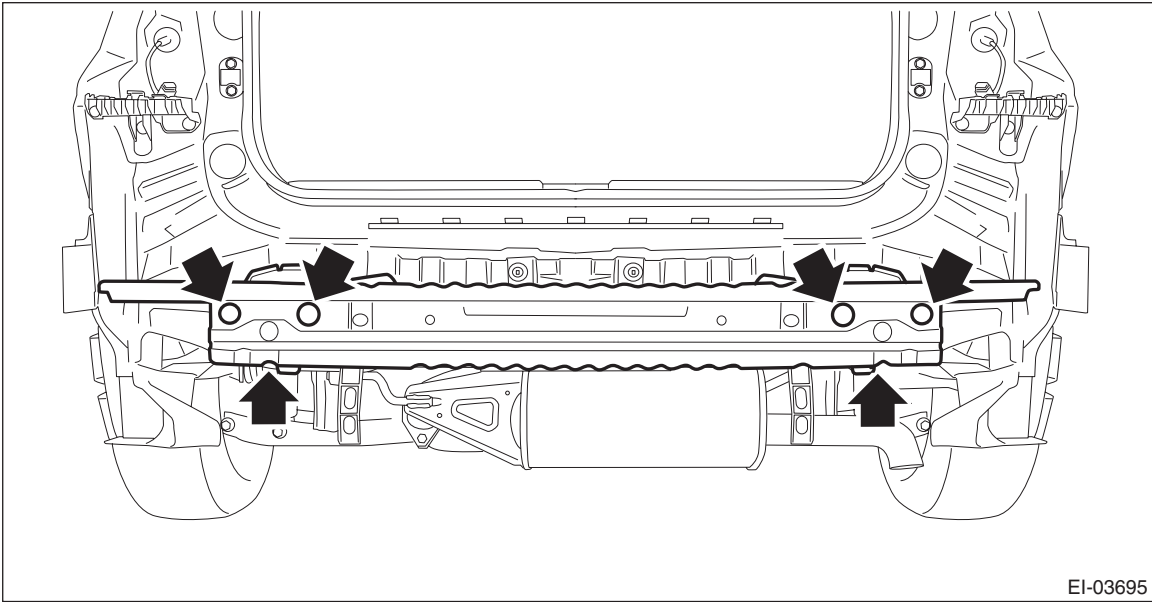


EI-03527

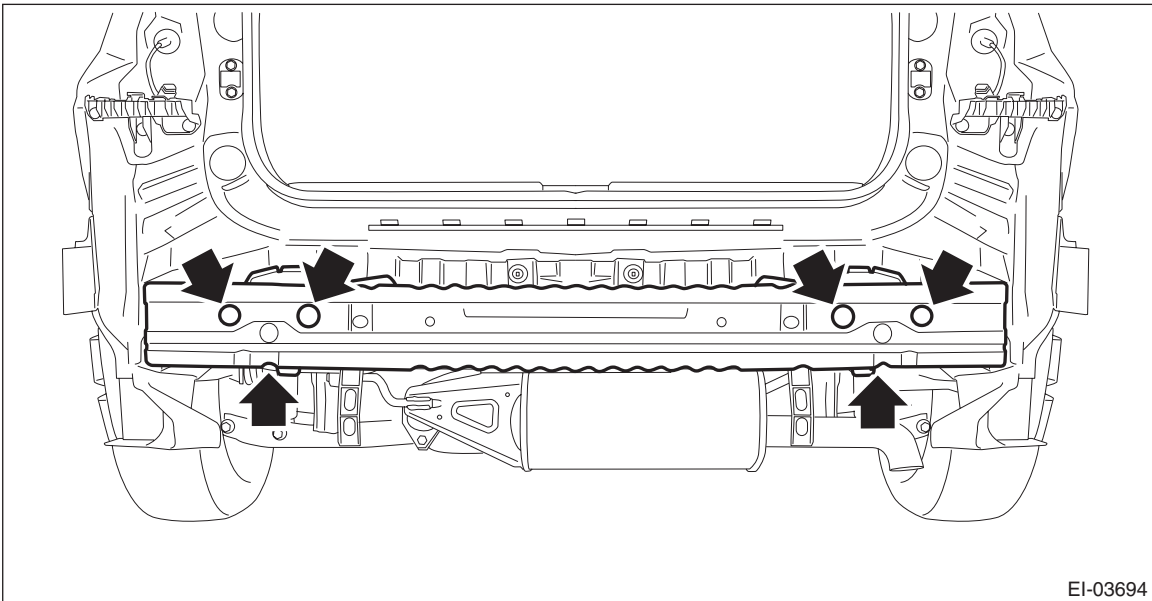
Rear Bumper

EXTERIOR/INTERIOR TRIM

- 4) Remove the bolts and nuts, and remove the bumper beam COMPL - rear.
- 5 door model/XV model



- XV model



NOTE:

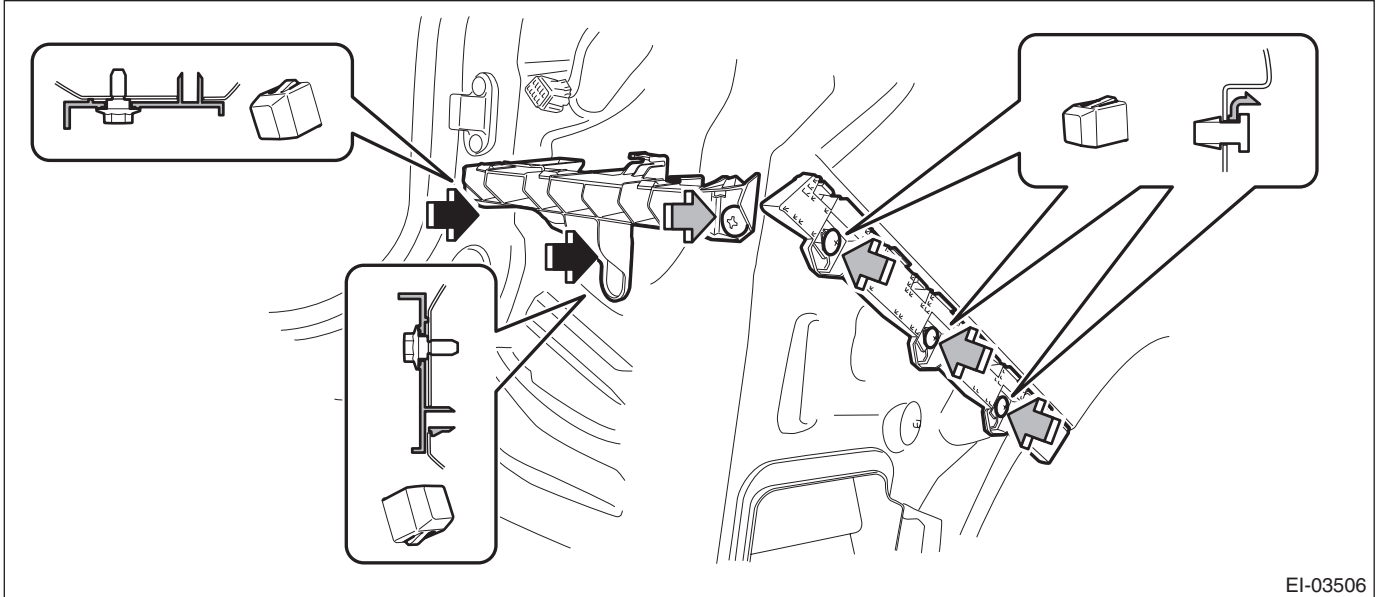
After all nuts are removed, raise the bumper beam COMPL - rear a little to remove it from vehicle body.

Rear Bumper

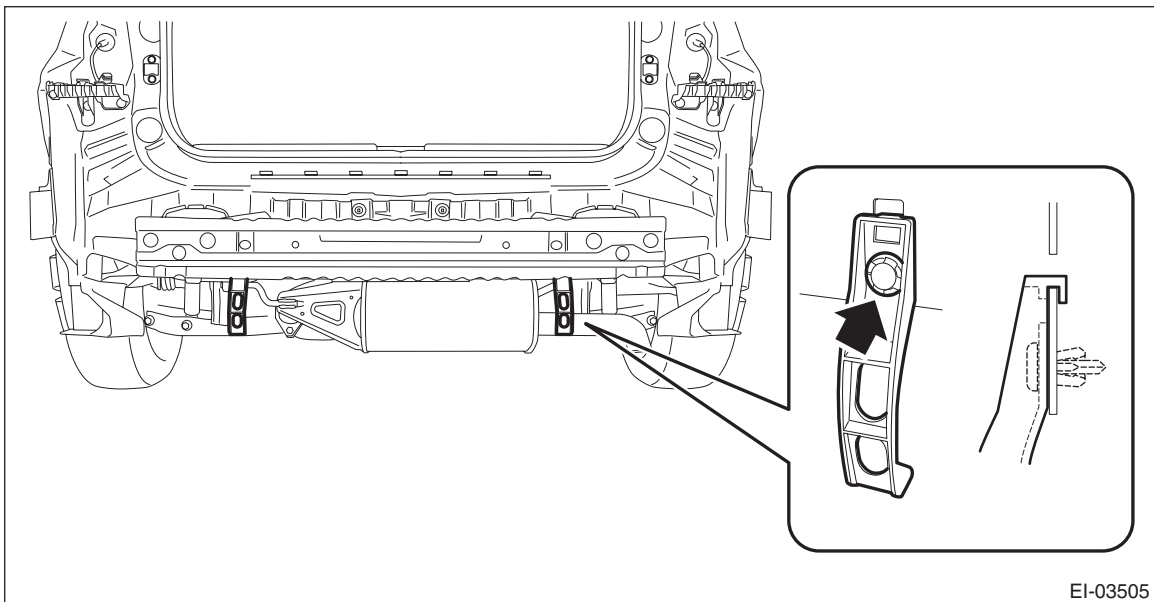
5) Remove bumper brackets.

(1) Remove the screws.

(2) Turn over the trim panel - trunk side, and detach the claw of the clip from the back side.



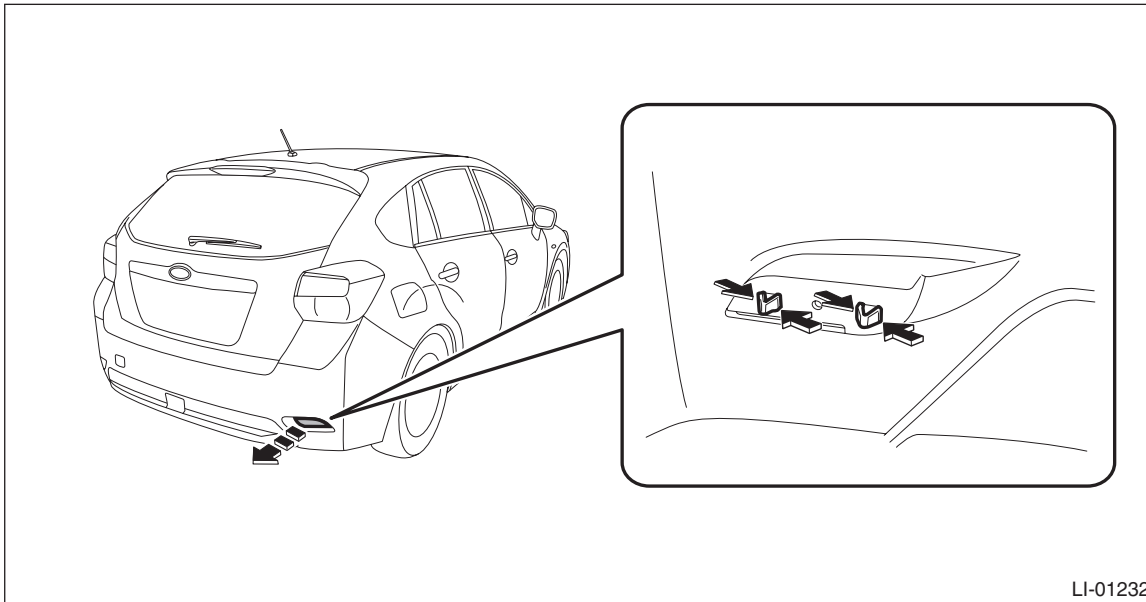
(3) Remove the clip, and remove the bracket - rear bumper lower.



Rear Bumper

EXTERIOR/INTERIOR TRIM

6) From behind the bumper, release the claws, and remove the reflex reflector assembly.

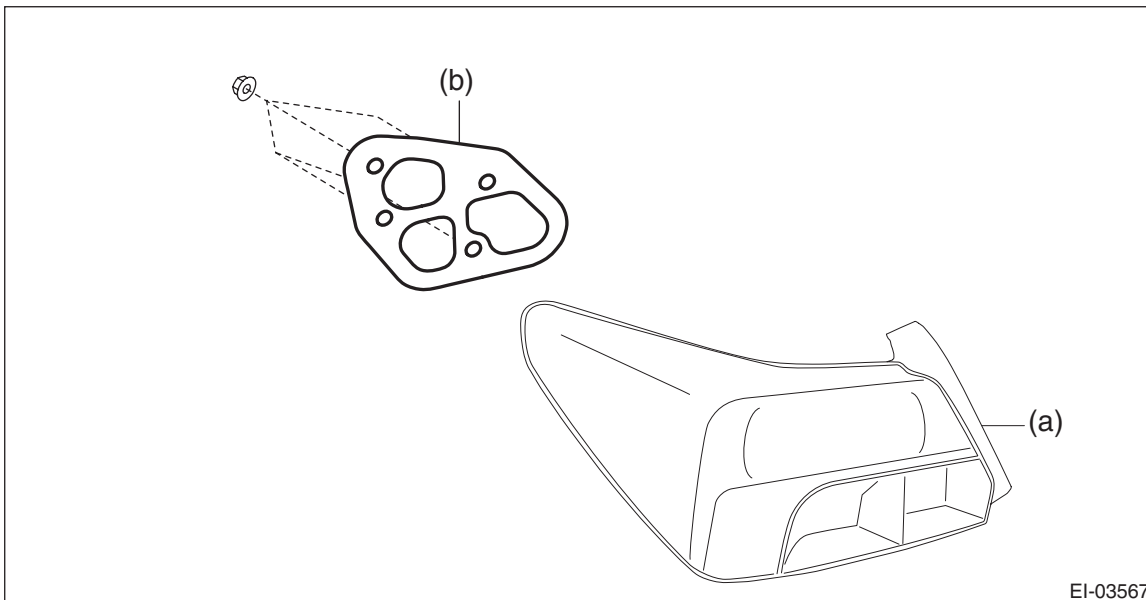


B: INSTALLATION

Install each part in the reverse order of removal.

CAUTION:

For 4 door model, replace the seal gasket (b) of the light assembly - rear combination (a) with a new part. If the seal gasket is reused, water leaks may occur.



NOTE:

If the bumper face - rear comes off too easily, adjust the hook of the bracket side.

Tightening torque:

Rear bumper component: <Ref. to EI-5, REAR BUMPER, COMPONENT, General Description.>

Light assembly - rear combination: 7.5 N·m (0.76 kgf·m, 5.5 ft·lb)

C: REPAIR

Refer to the description concerning repair in "Front Bumper" section. <Ref. to EI-40, REPAIR, Front Bumper.>