

Roof Rail

EXTERIOR/INTERIOR TRIM

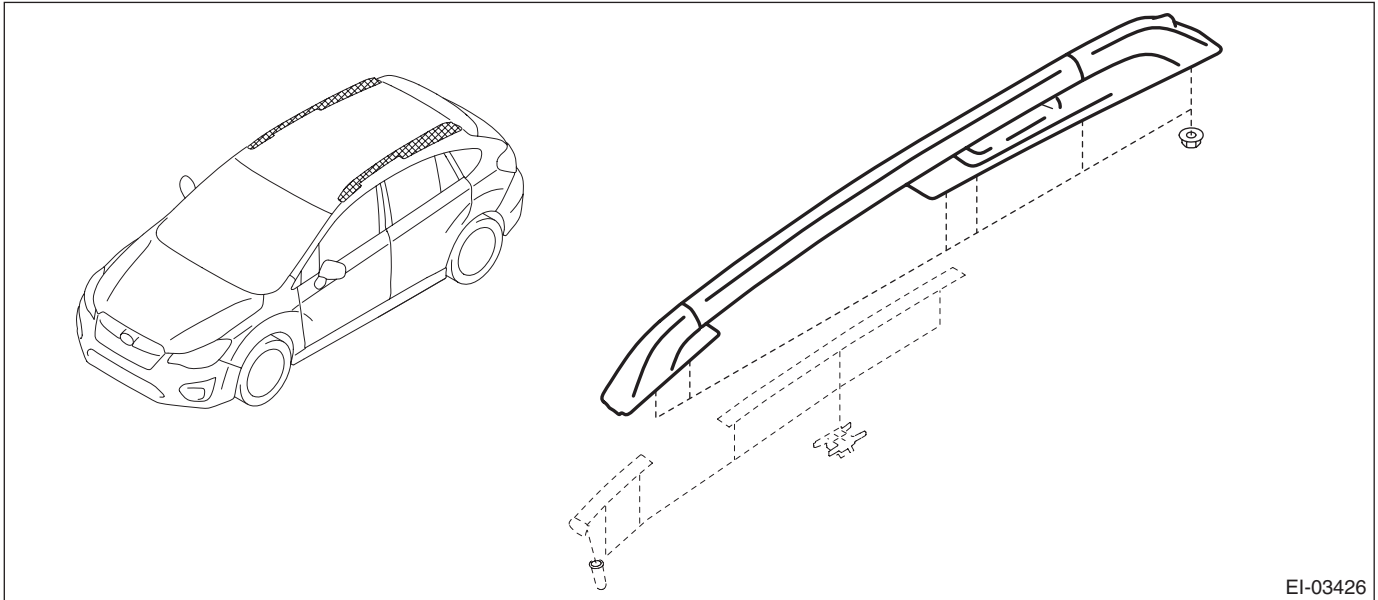
12.Roof Rail

A: REMOVAL

- 1) Remove the trim panel - roof. <Ref. to EI-131, 5 DOOR MODEL/XV MODEL, REMOVAL, Roof Trim.>
- 2) Remove the curtain airbag module. <Ref. to AB-75, 5 DOOR MODEL/XV MODEL, REMOVAL, Curtain Airbag Module.>

CAUTION:

- Before handling the airbag module, refer to “CAUTION” of “General Description” in “AIRBAG SYSTEM”. <Ref. to AB-11, CAUTION, General Description.>
 - Be careful not to damage the curtain airbag module during removal.
- 3) Remove the six installing nuts.



B: INSTALLATION

CAUTION:

When removing or installing the roof rail, be careful not to scratch the body panel with the stud bolt of roof rail.

Install each part in the reverse order of removal.

Tightening torque:

7.5 N·m (0.76 kgf·m, 5.5 ft·lb)