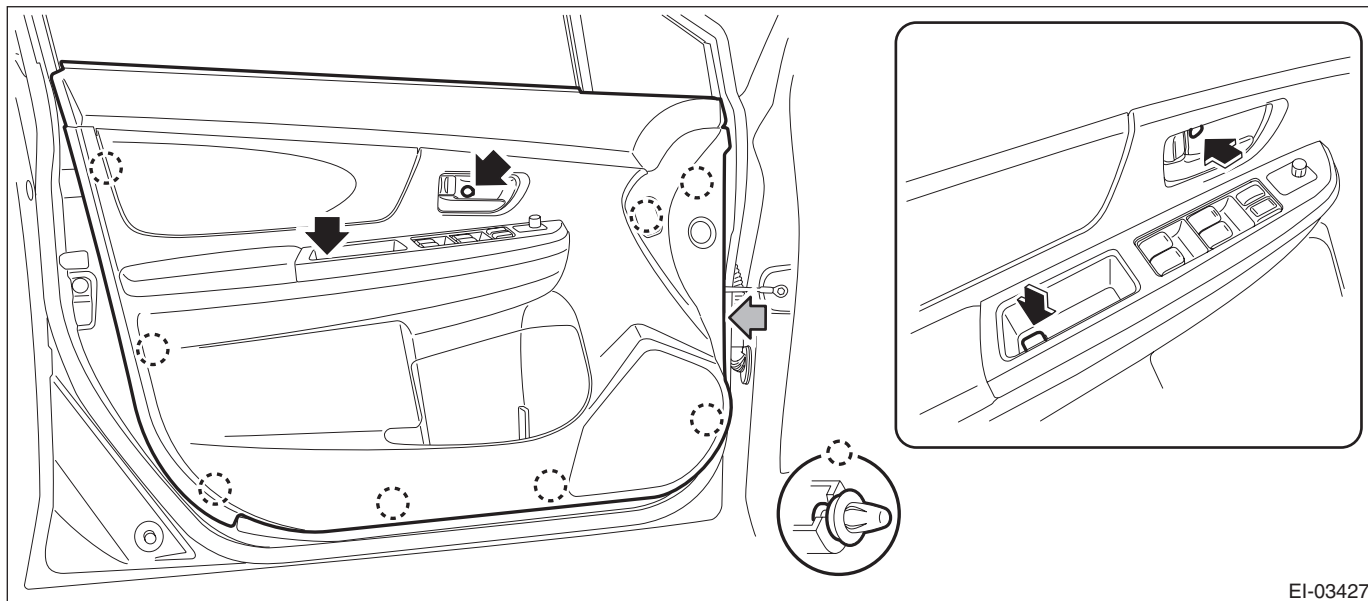


13. Door Trim

A: REMOVAL

1. FRONT DOOR

- 1) Disconnect the ground cable from battery.
- 2) Remove the trim panel - front door.
 - (1) Open the cover and remove the screw.
 - (2) Remove the clips, and remove the trim panel - front door from the panel assembly - front door.

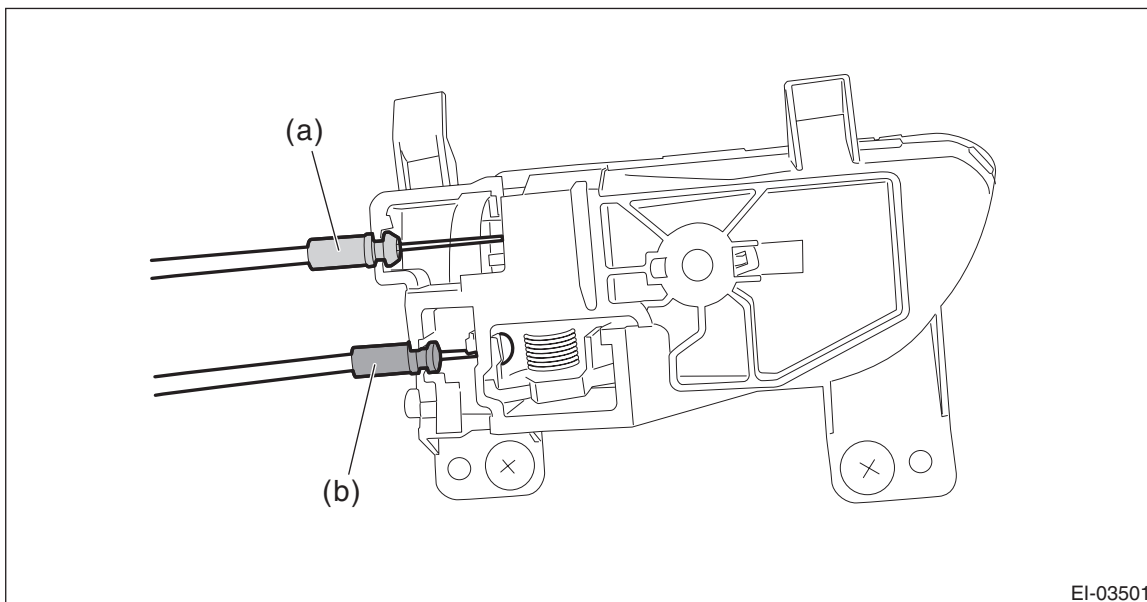


EI-03427

NOTE:

It is easier to remove the door trim if the removal is performed from the gray arrow section.

- (3) Detach the door lock cable (a) and door open cable (b) from the remote assembly - door.



EI-03501

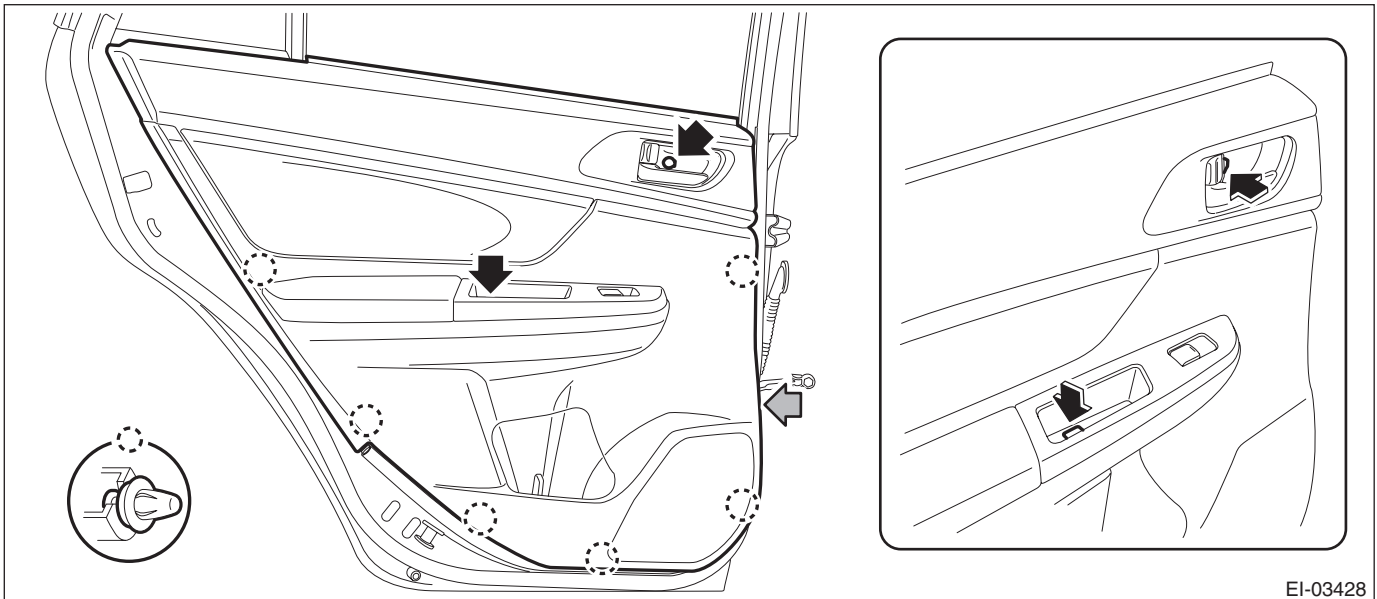
- (4) Disconnect the harness connector and remove the trim panel - front door.
- 3) Remove each part as required.
 - Remote assembly - door: <Ref. to SL-31, REMOVAL, Front Inner Remote.>
 - Switch - power window main: <Ref. to GW-12, MAIN SWITCH, REMOVAL, Power Window Control Switch.>
 - Weather strip - door INN: <Ref. to EI-63, DISASSEMBLY, Door Trim.>

Door Trim

EXTERIOR/INTERIOR TRIM

2. REAR DOOR

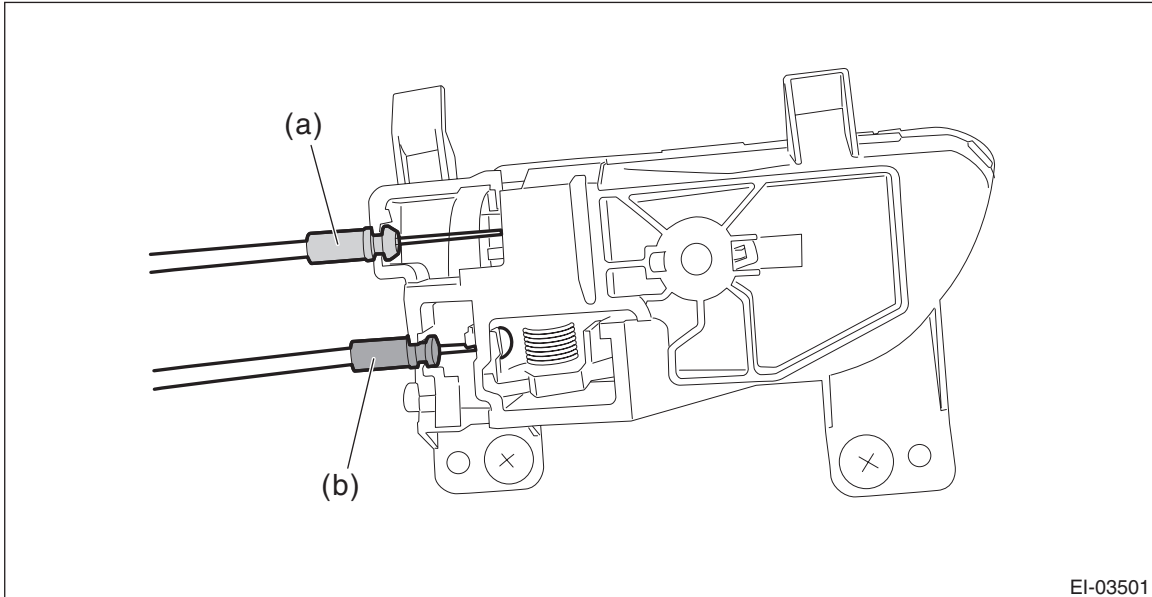
- 1) Disconnect the ground cable from battery.
- 2) Remove the trim panel - rear door.
 - (1) Open the cover and remove the screw.
 - (2) Remove the clips, and remove the trim panel - rear door from the panel assembly - rear door.



NOTE:

It is easier to remove the door trim if the removal is performed from the gray arrow section.

- (3) Detach the door lock cable (a) and door open cable (b) from the remote assembly - door.



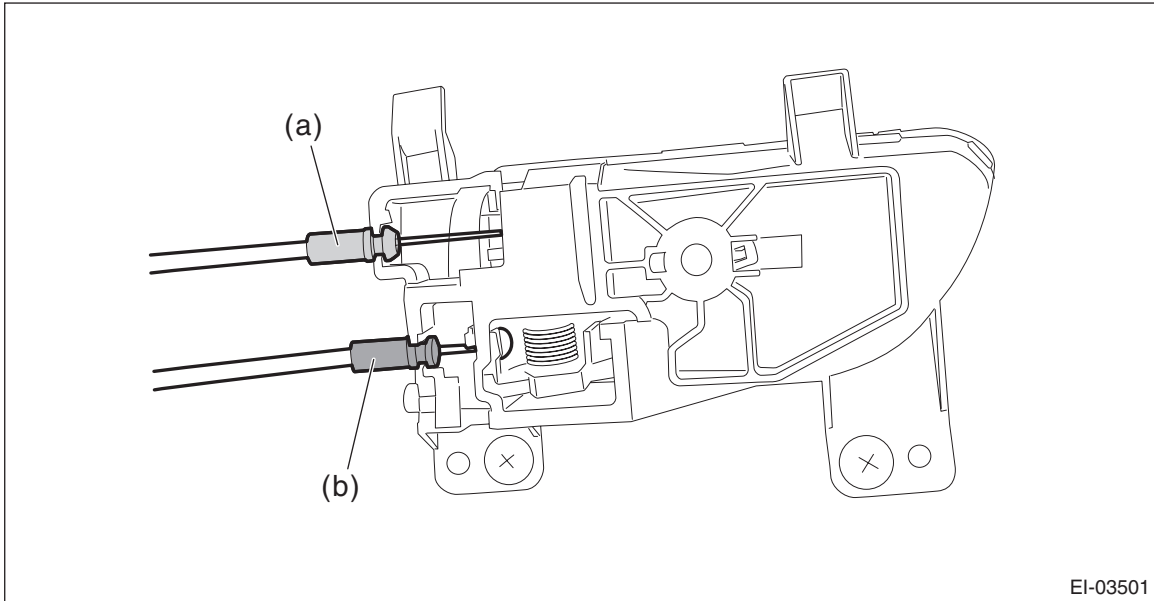
- (4) Disconnect the harness connector and remove the trim panel - rear door.
- 3) Remove each part as required.
 - Remote assembly - door: <Ref. to SL-39, REMOVAL, Rear Inner Remote.>
 - Switch - power window sub: <Ref. to GW-13, SUB-SWITCH, REMOVAL, Power Window Control Switch.>
 - Weather strip - door INN: <Ref. to EI-63, DISASSEMBLY, Door Trim.>

B: INSTALLATION

Install each part in the reverse order of removal.

NOTE:

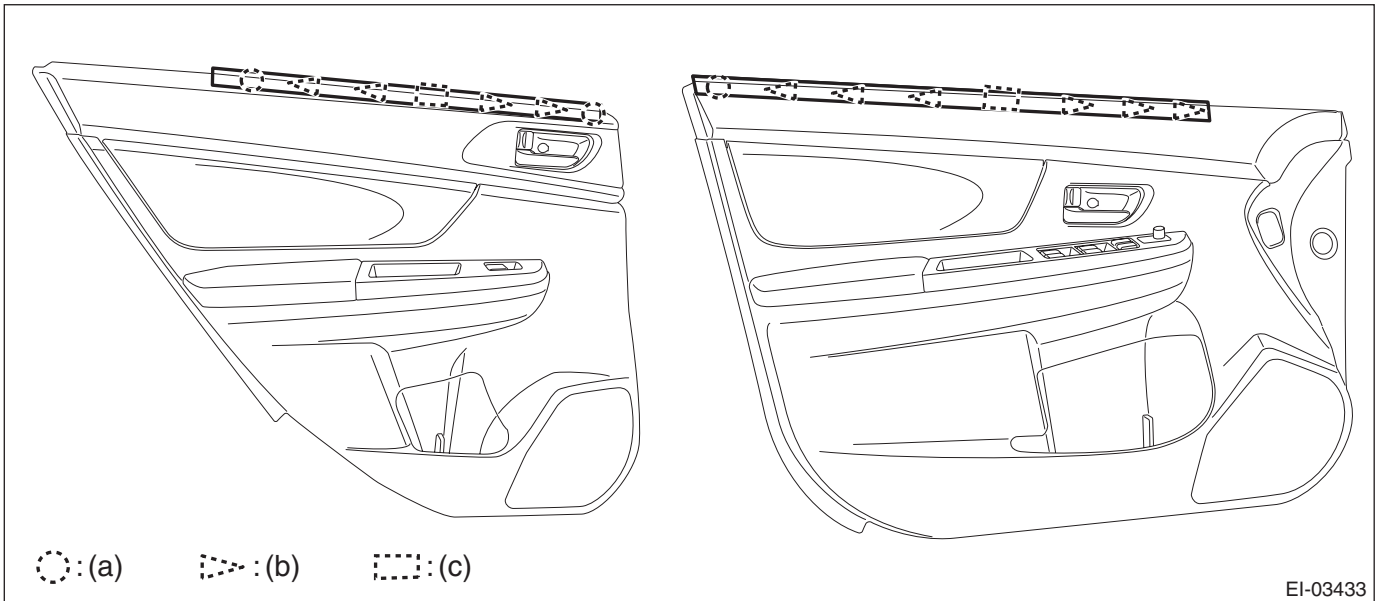
Attach the door lock cable (a - end ball: small) to the upper side, and attach the door open cable (b - end ball: large) to the lower side.



EI-03501

C: DISASSEMBLY

- 1) Remove the door trim.
- 2) Remove the rivets and claws, and remove the weather strip - door INN from the door trim.



EI-03433

(a) Rivet

(b) Claw

(c) Claw

NOTE:

Remove the rivets by using the rivet cutter or nippers.

Door Trim

EXTERIOR/INTERIOR TRIM

D: ASSEMBLY

1) Bend the claws while pushing the weather strip - door INN against the door trim.

CAUTION:

Be careful of the bending direction of the claws.

2) Install the rivet.

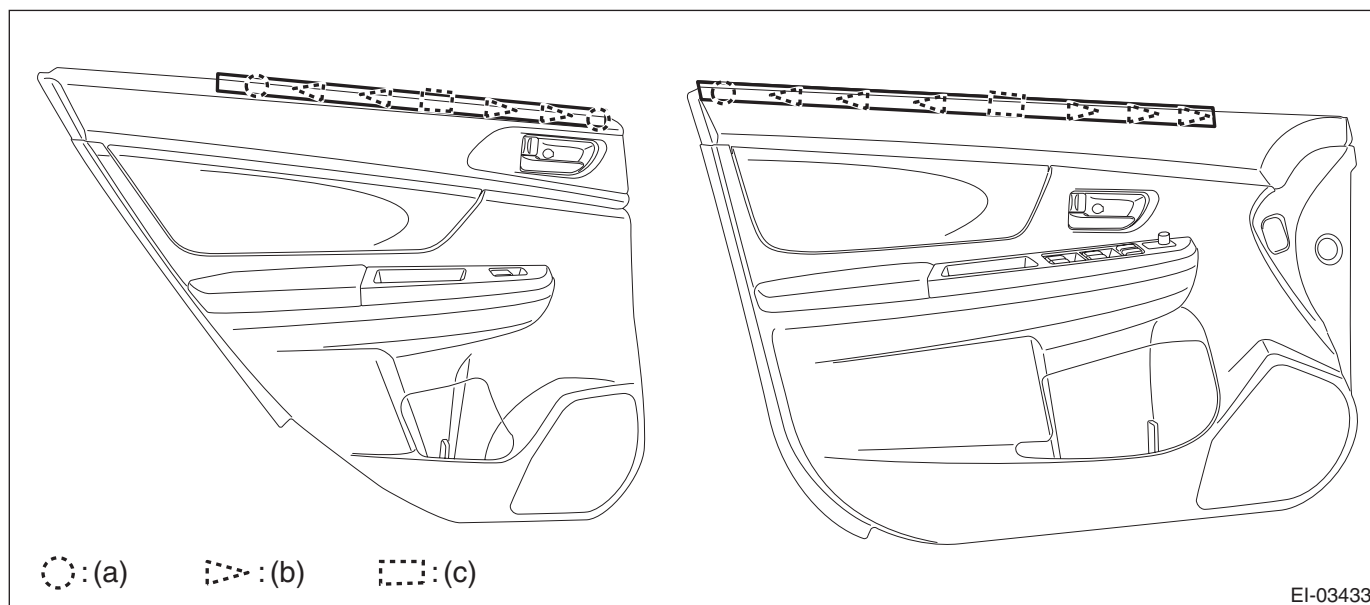
CAUTION:

The height of the crimped rivet must be 3 mm (0.12 in). Squash the rivets with the pliers if the crimping is not enough, because the rivet may interference with the door trim.

PREPARATION TOOL & REQUIRED MATERIALS:

Hand riveter ($\phi 3.2$ mm (0.13 in) compliant)

Rivet



(a) Rivet

(b) Claw bending direction

(c) Claw bending direction: bend forward for LH side, backward for RH side.

3) After installing the weather strip - door INN, perform the following checks.

- Make sure there are no gaps between the weather strip - door INN and the door trim.
- Make sure there are no looseness when pulling the weather strip - door INN lightly.