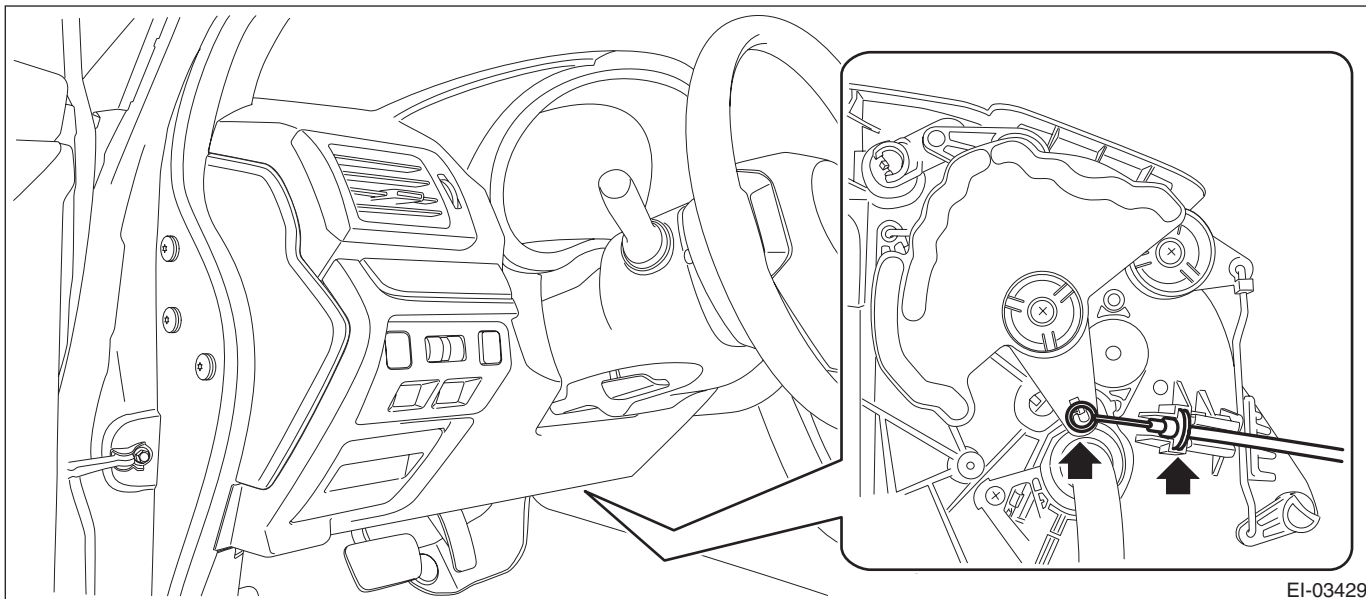


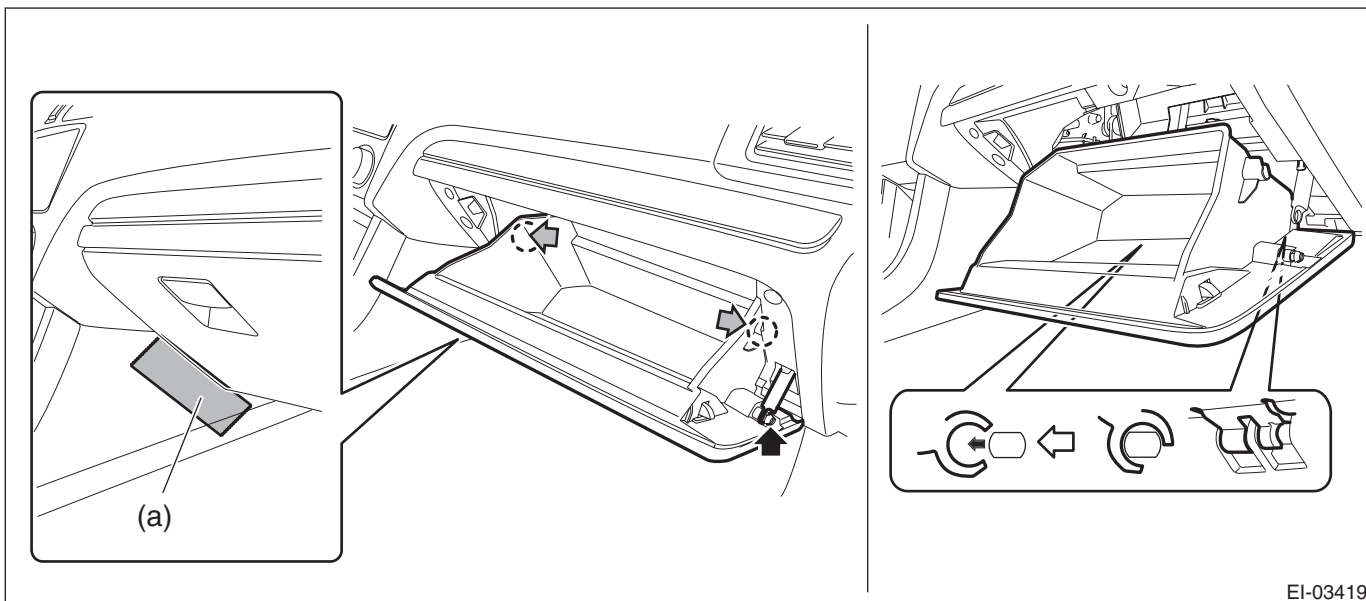
## 16.Center Console

### A: REMOVAL

- 1) On manual A/C models, disconnect the control cables from both sides of the heater & cooling unit.
  - (1) Disconnect the cable on the driver's side.



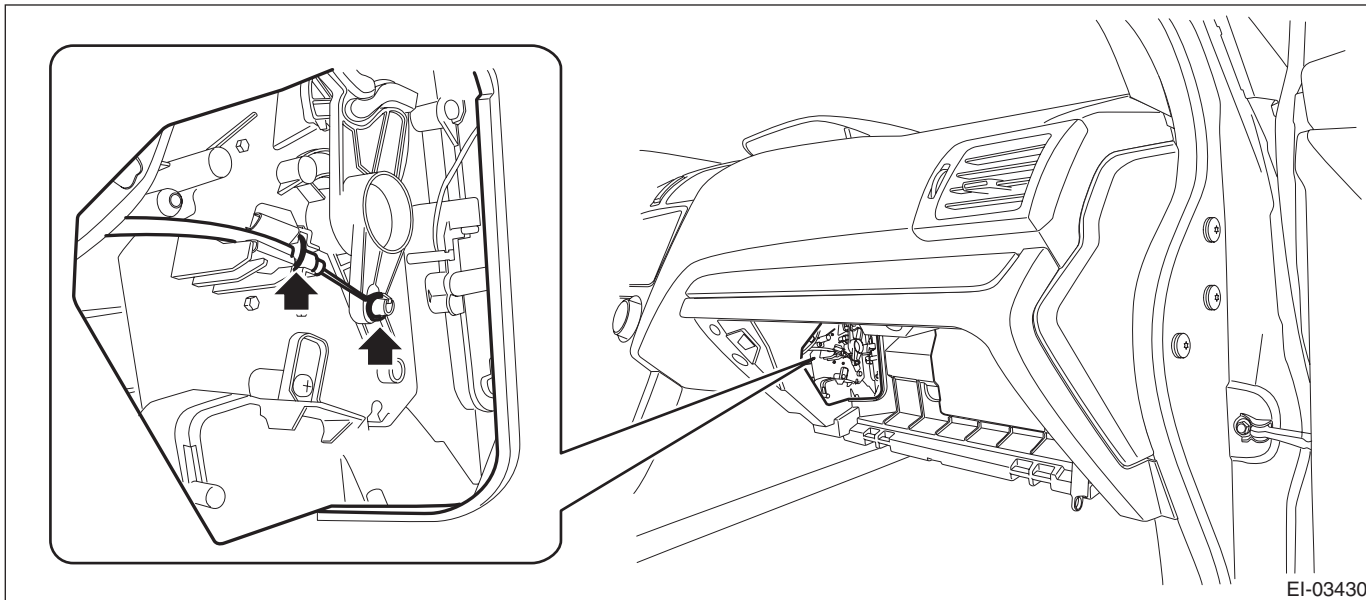
- (2) Attach the protective tape (a) to the panel center LWR.
- (3) Release the glove box dampers and stoppers, and remove the pocket assembly by pulling it toward you.



## Center Console

### EXTERIOR/INTERIOR TRIM

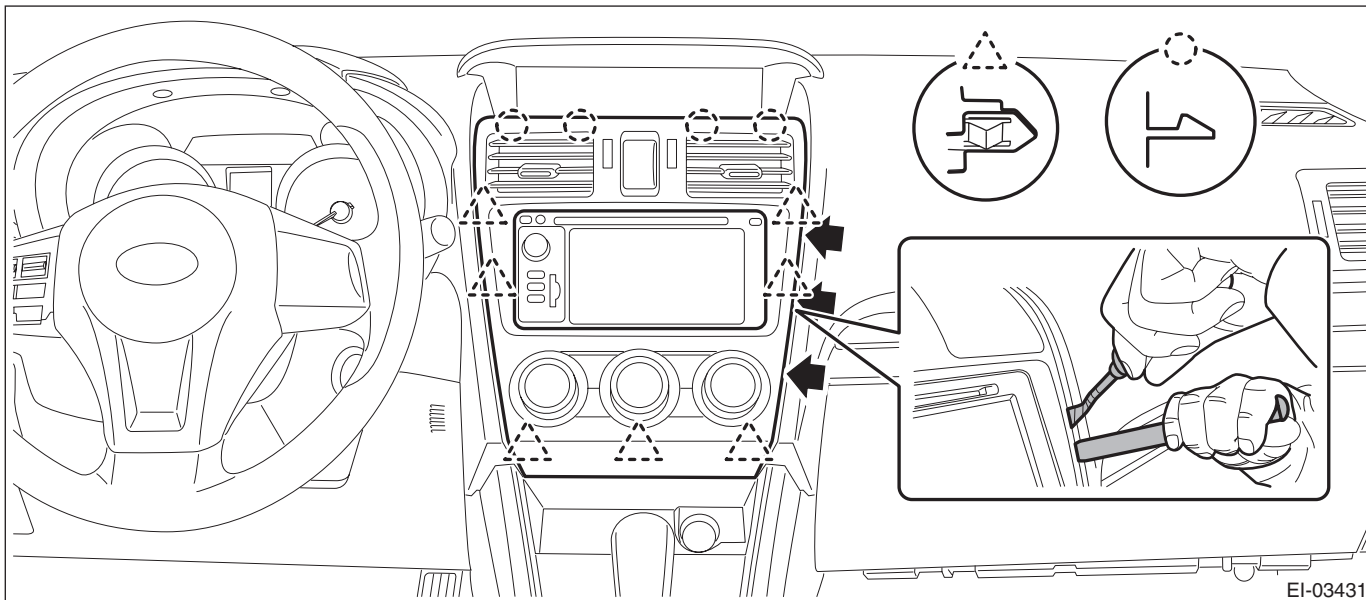
(4) Disconnect the cable on the passenger's side.



2) Remove the panel center assembly.

#### CAUTION:

- Do not put your finger on the fin of the air vent grille. Doing so may damage the fin.
  - Pull the panel center assembly slowly. Pulling with excessive force may damage the connector.
- (1) Insert a plastic remover to the three areas shown by the arrows, and lift up the panel center assembly slightly.
  - (2) With the panel center assembly lifted up slightly, release the claw by using a clip remover wrapped with protective tape.
  - (3) Release the rest of the claws, and pull out the panel center assembly.
  - (4) Disconnect the connectors, and remove the panel center assembly.



## B: INSTALLATION

#### CAUTION:

After installing the panel center assembly, check that the air vent grille of the panel center assembly is inserted correctly into the air vent duct.

Install each part in the reverse order of removal.