

19.Lower Inner Trim

A: REMOVAL

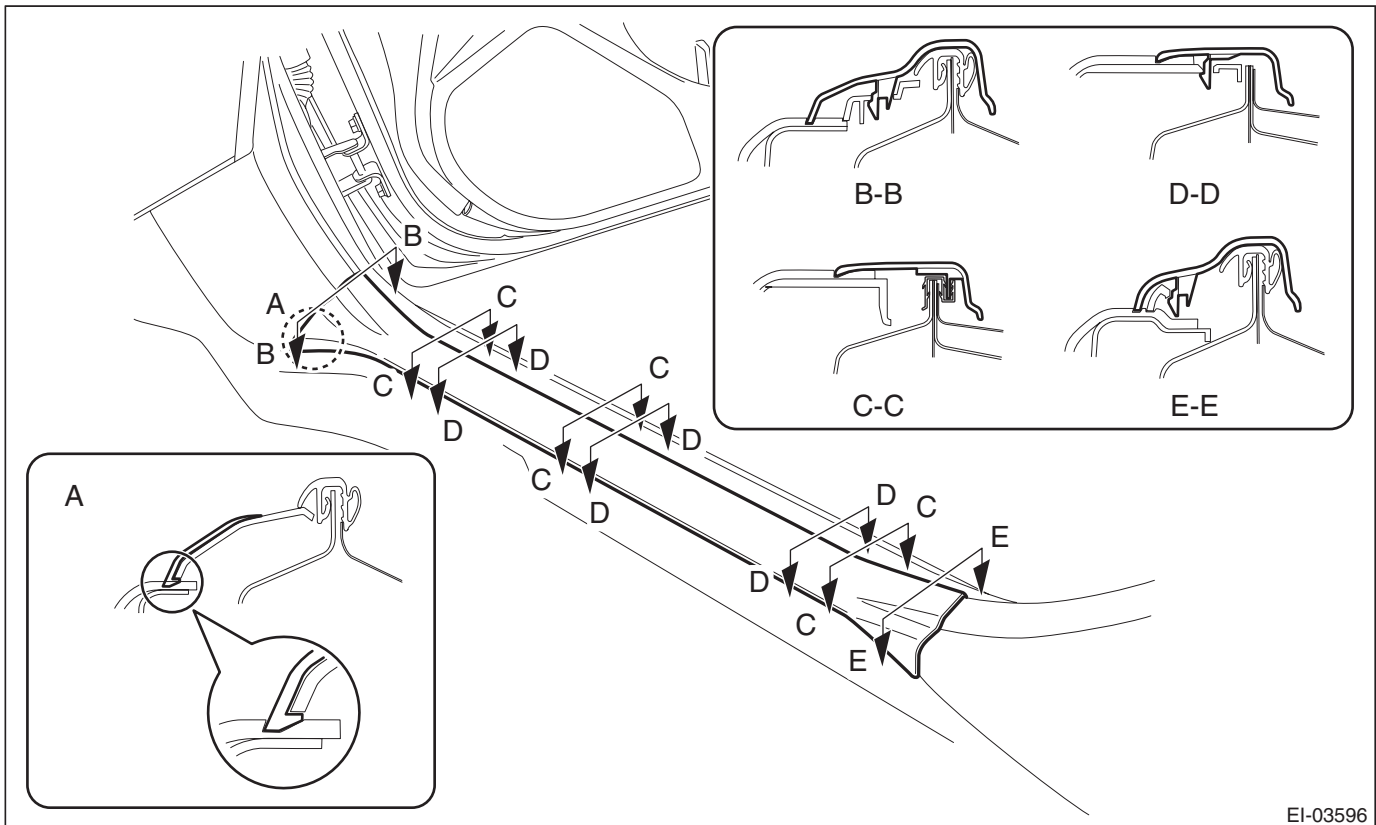
CAUTION:

- Airbag system satellite safing sensor is located in the lower of the rear seat cushion center. Before removing the rear seat, refer to “CAUTION” of “General Description” in “AIRBAG SYSTEM” section. <Ref. to AB-11, CAUTION, General Description.>
- The airbag system is fitted with a backup power supply. After disconnecting the battery ground cable, the airbag may operate if you do not wait for 60 seconds before starting the service of airbag system.

1) Release the claws, and then remove the cover side sill - front INN.

CAUTION:

Do not pull with excessive force. Doing so may damage the claws of the cover side sill - front INN.

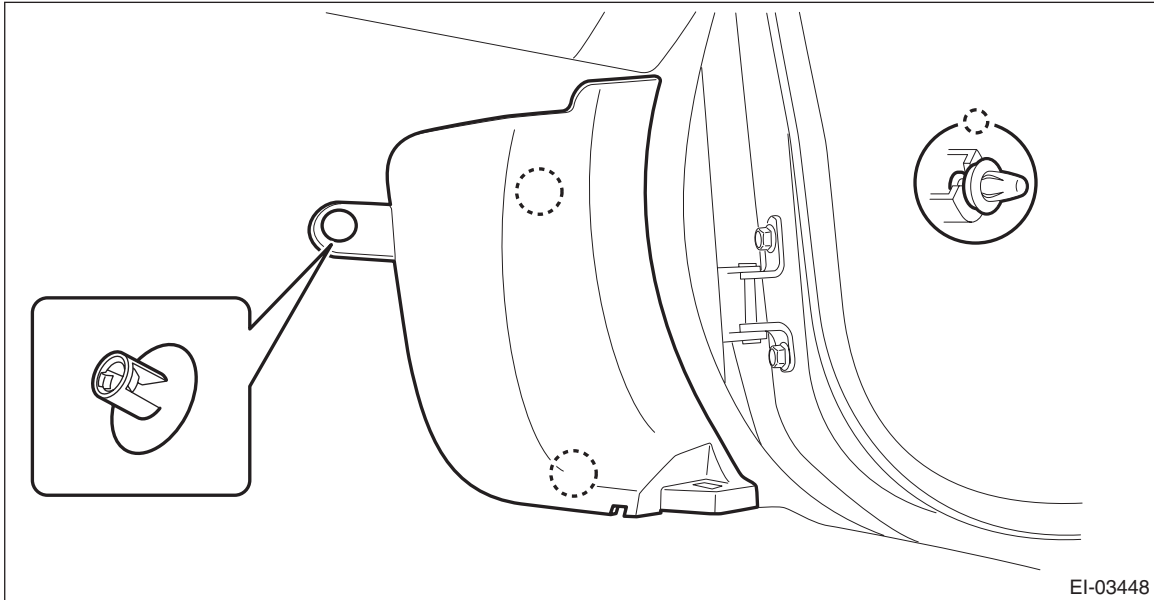


EI-03596

Lower Inner Trim

EXTERIOR/INTERIOR TRIM

2) Remove the clips, and remove the cover side sill - front.



3) Remove the rear seat cushion assembly.

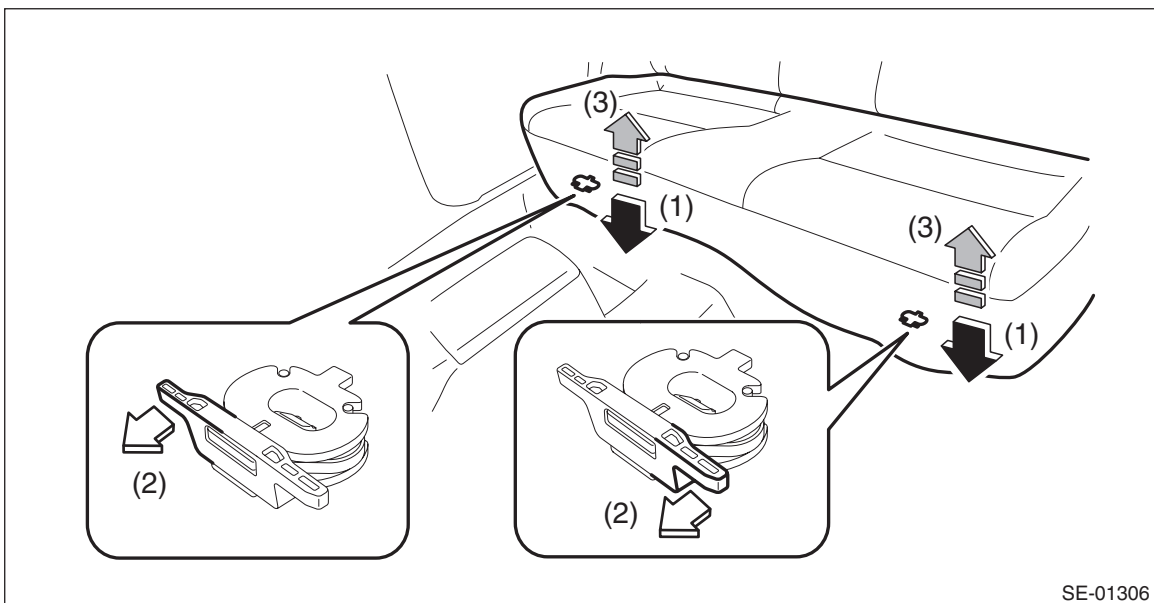
(1) Push the corners of the rear seat cushion from above.

(2) While pushing the corners of the rear seat cushion from above, pull the knob of the hook - seat cushion rear towards yourself.

(3) While pulling the knob towards yourself, disconnect the hooks by lifting up the rear seat cushion.

NOTE:

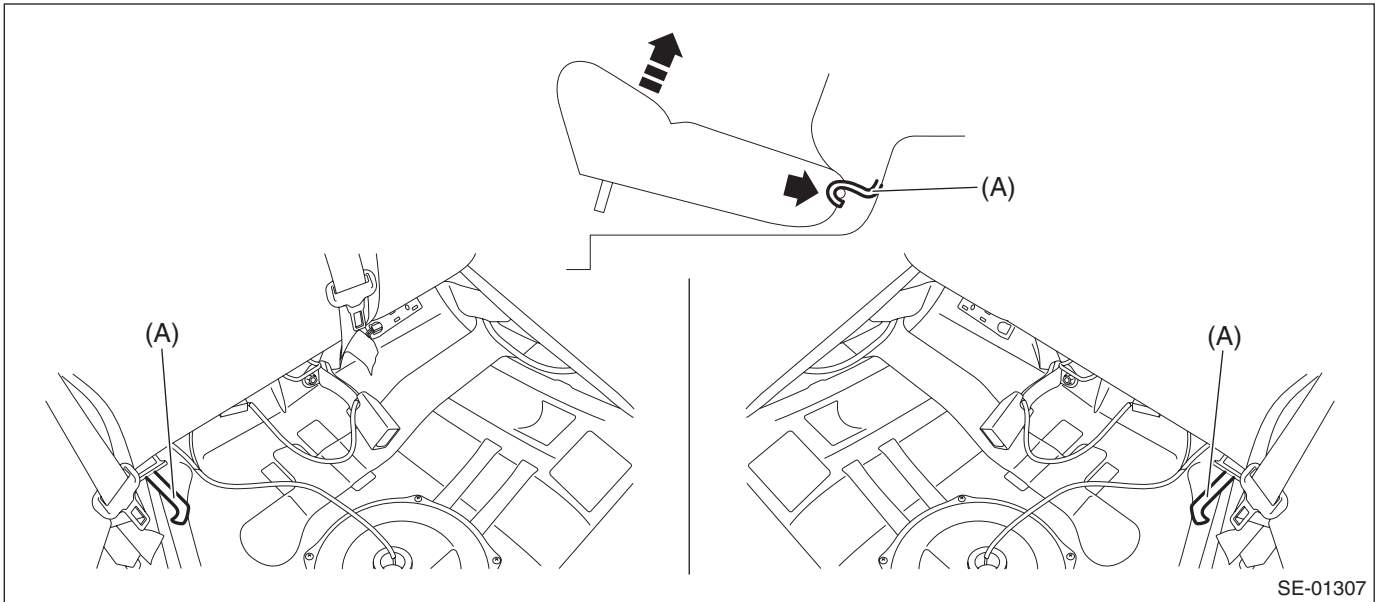
Pull the left side of the knob to disconnect the LH side hook, and pull the right side of the knob to disconnect the RH side hook.



Lower Inner Trim

EXTERIOR/INTERIOR TRIM

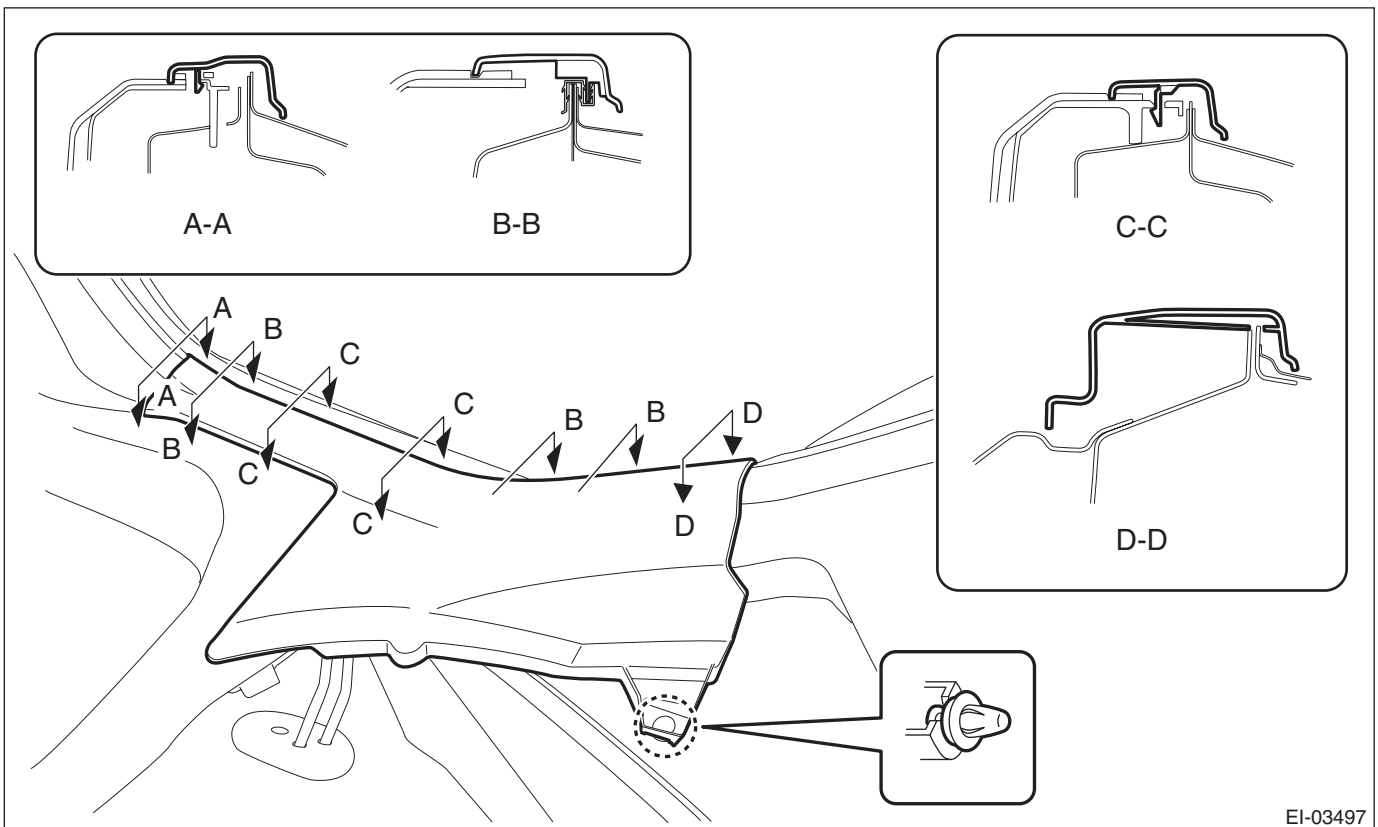
(4) Remove the hook (A) by pushing it back while lifting the front side of the rear seat cushion, and remove the rear seat cushion.



4) Release the clips and claws, and then remove the cover side sill - rear INN.

CAUTION:

Do not pull with excessive force. Doing so may damage the claws of the cover side sill - rear INN.



Lower Inner Trim

EXTERIOR/INTERIOR TRIM

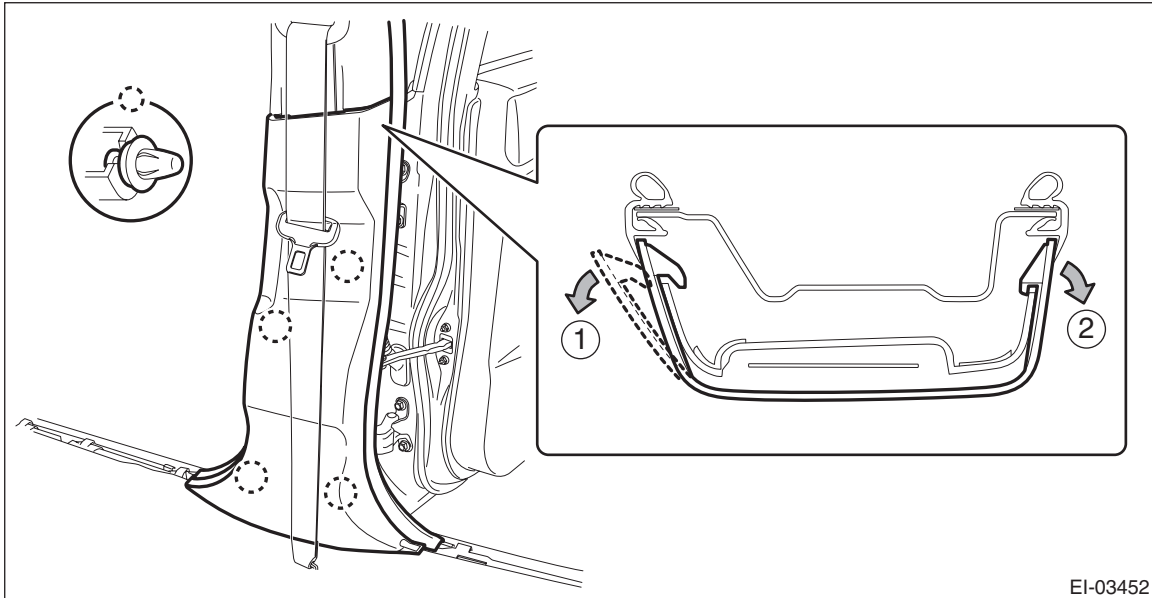
5) Remove the trim panel - center pillar LWR.

(1) Release the clip by pulling the trim panel - center pillar LWR toward you.

(2) Expand the claws of the trim panel - center pillar LWR outward, and remove it from the trim panel - center pillar UPR.

CAUTION:

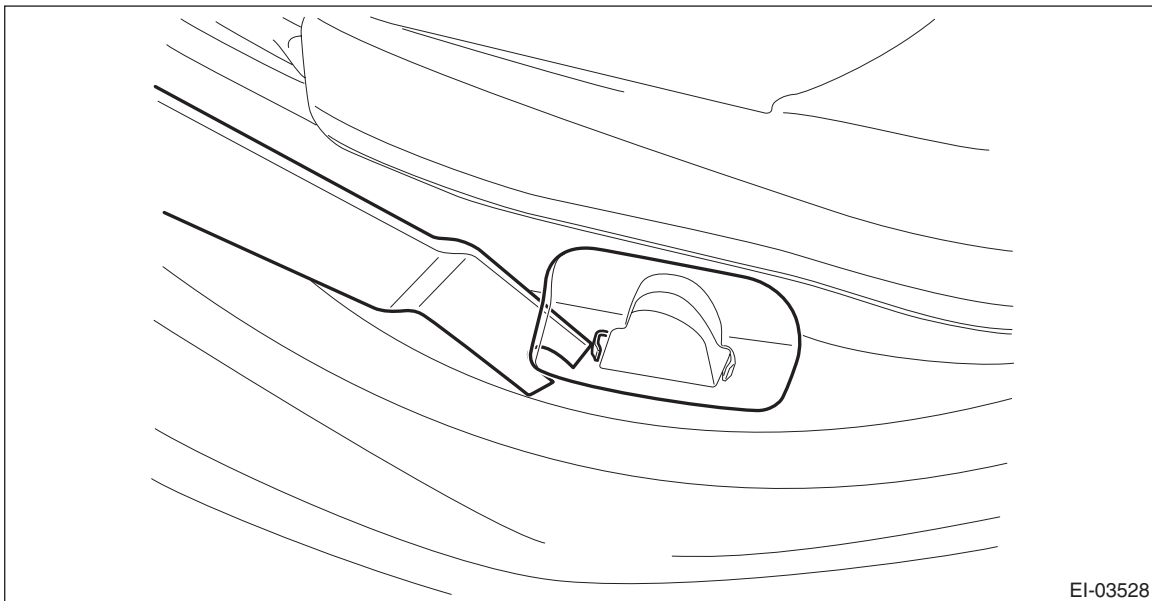
Do not expand the trim panel - center pillar LWR excessively. Doing so may damage the trim.



NOTE:

First release the claw located to the front of the vehicle.

6) Disconnect the claws and remove the cover - catcher.



NOTE:

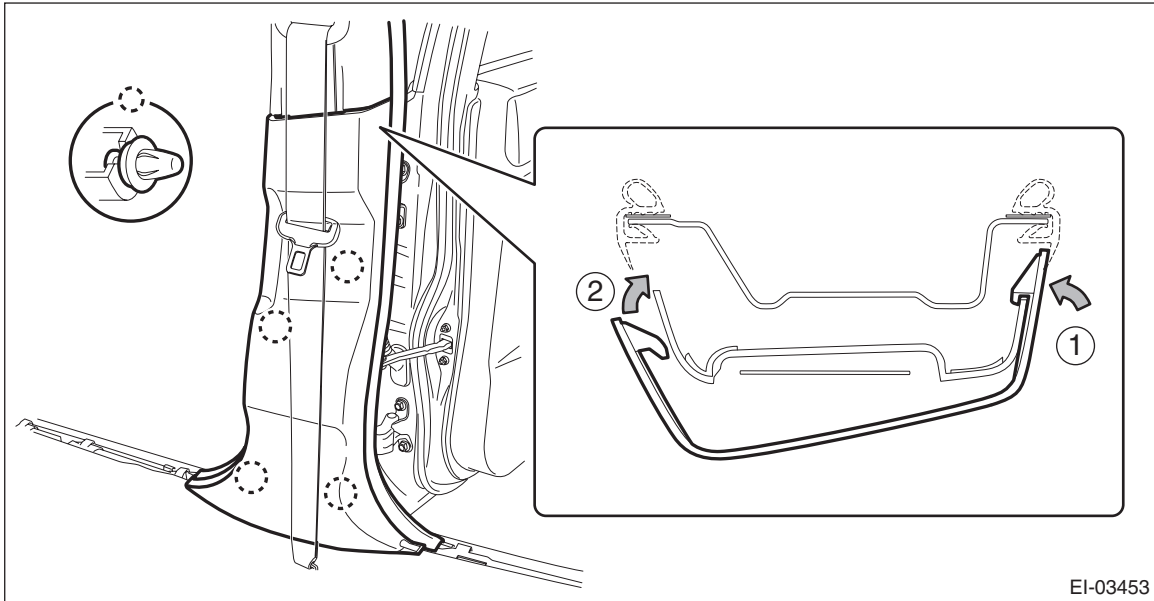
Remove the cover - catcher by using a plastic remover.

B: INSTALLATION

Install each part in the reverse order of removal.

NOTE:

Assemble the trim panel - center pillar LWR to the trim panel - center pillar UPR securely.



EI-03453