

Upper Inner Trim

EXTERIOR/INTERIOR TRIM

20.Upper Inner Trim

A: REMOVAL

CAUTION:

- Airbag system satellite safing sensor is located in the lower of the rear seat cushion center. Before removing the rear seat, refer to “CAUTION” of “General Description” in “AIRBAG SYSTEM” section. <Ref. to AB-11, CAUTION, General Description.>
- The airbag system is fitted with a backup power supply. After disconnecting the battery ground cable, the airbag may operate if you do not wait for 60 seconds before starting the service of airbag system.

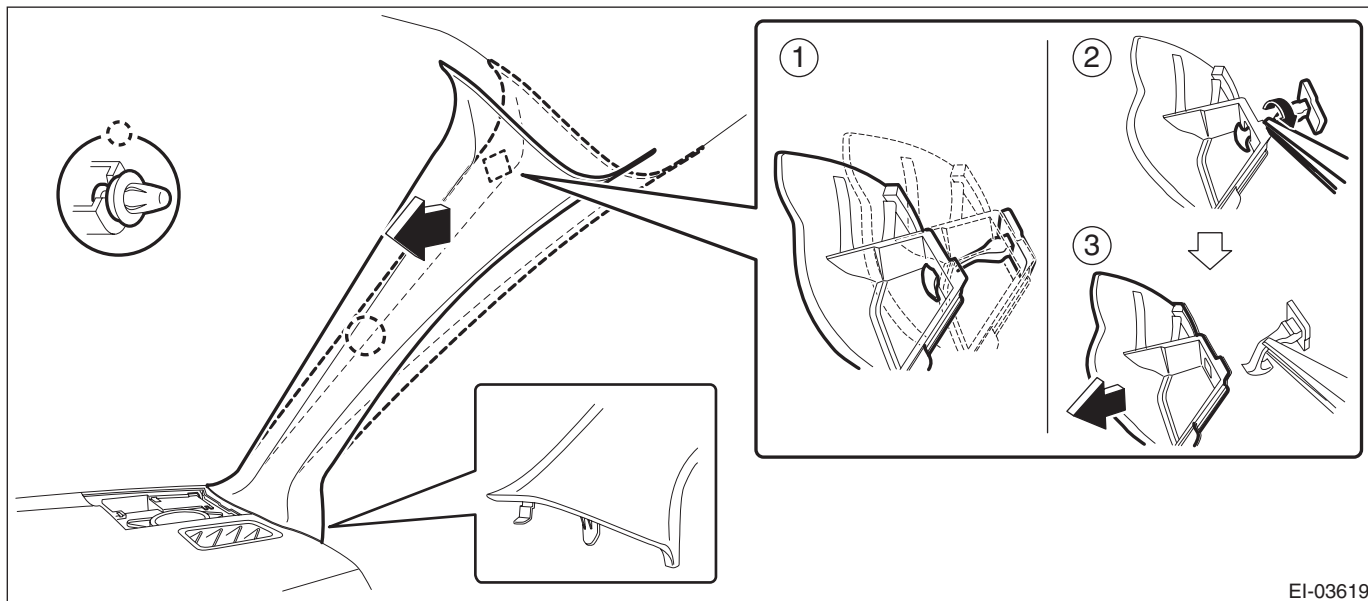
1) Remove the trim panel - front pillar UPR.

- (1) Pull the upper part of the trim panel - front pillar UPR towards the center of the vehicle.
- (2) Insert long-nose pliers into the top part of the trim, grip the tether clip with the pliers and twist 90° in that position.

CAUTION:

Be careful not to damage the pillar trim surface and curtain airbag module when inserting the pliers.

- (3) Holding the tether clip twisted as in the previous step, remove the trim panel - front pillar UPR from the tether clip.
- (4) Remove the clips, and remove the trim panel - front pillar UPR.

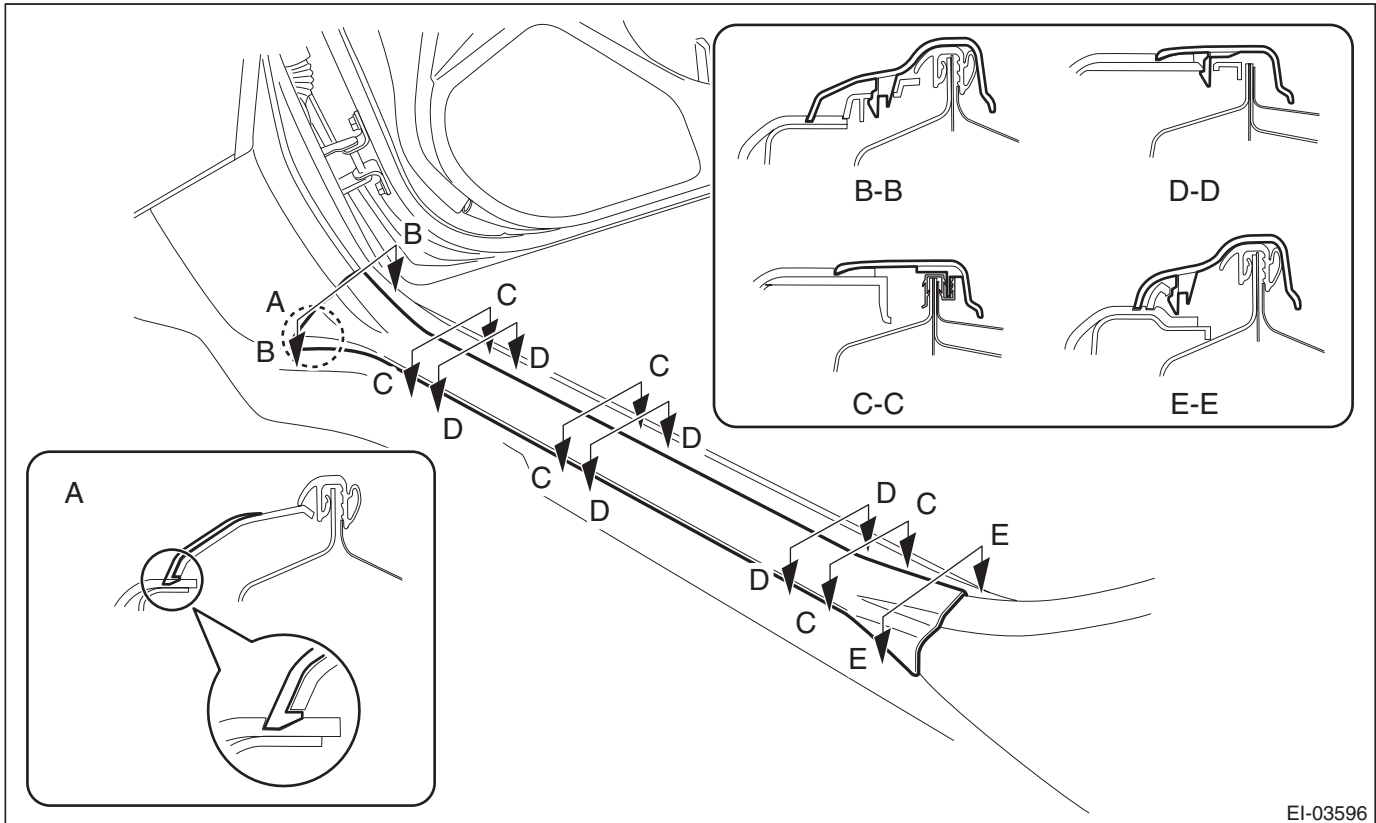


EI-03619

2) Release the claws, and then remove the cover side sill - front INN.

CAUTION:

Do not pull with excessive force. Doing so may damage the claws of the cover side sill - front INN.



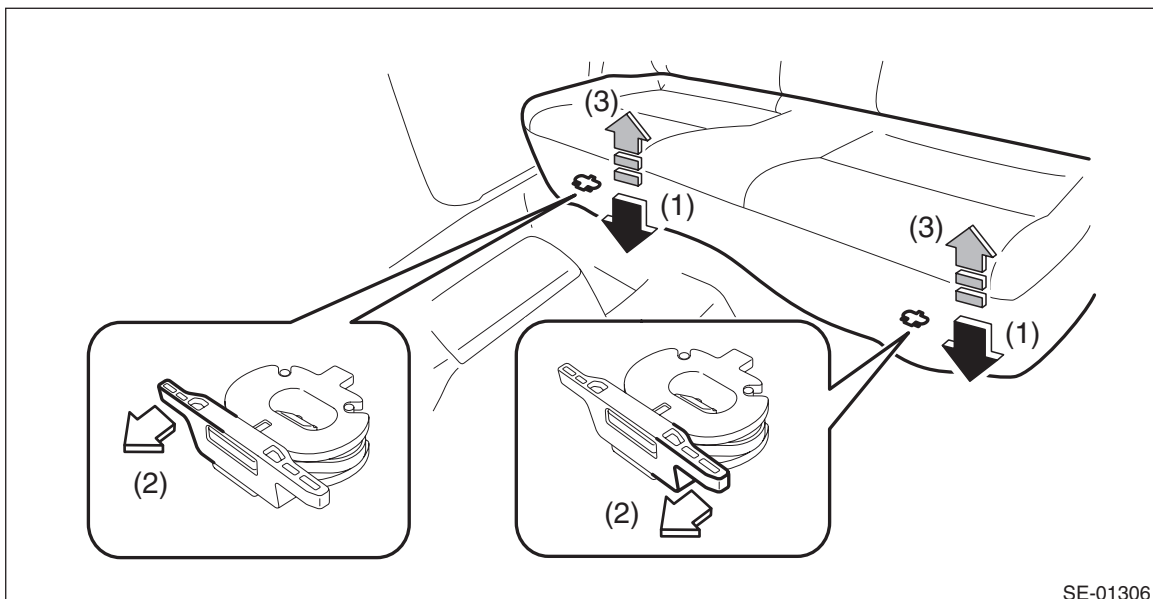
EI-03596

3) Remove the rear seat cushion assembly.

- (1) Push the corners of the rear seat cushion from above.
- (2) While pushing the corners of the rear seat cushion from above, pull the knob of the hook - seat cushion rear towards yourself.
- (3) While pulling the knob towards yourself, disconnect the hooks by lifting up the rear seat cushion.

NOTE:

Pull the left side of the knob to disconnect the LH side hook, and pull the right side of the knob to disconnect the RH side hook.

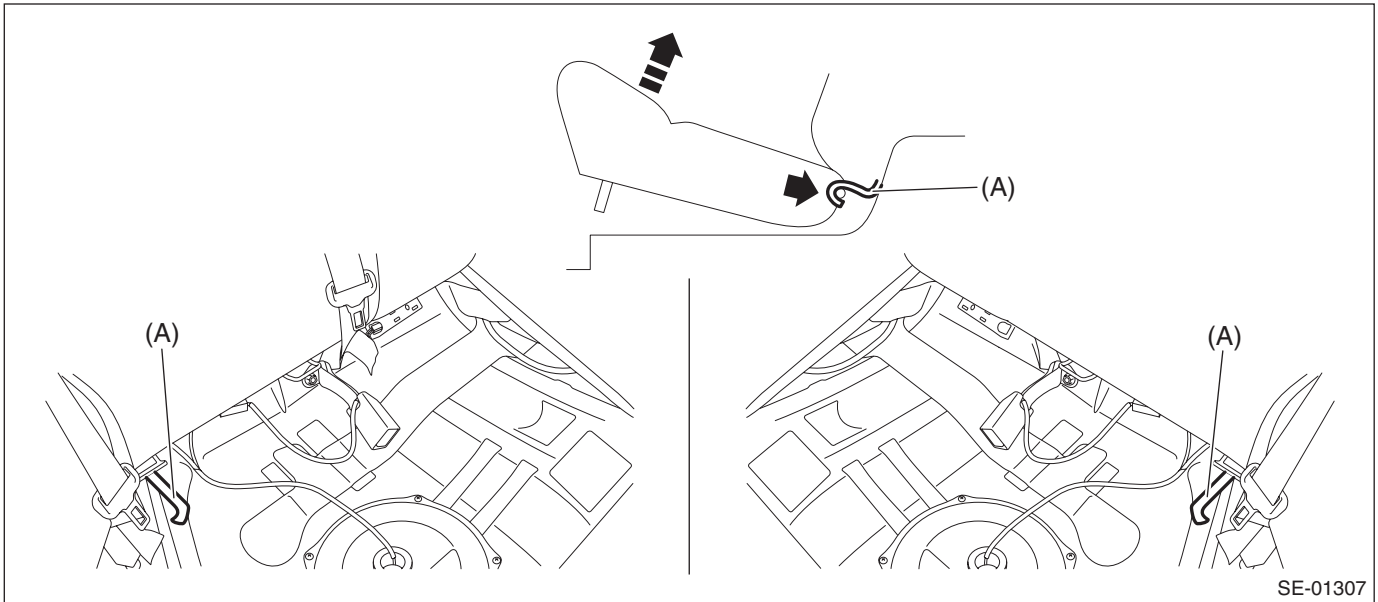


SE-01306

Upper Inner Trim

EXTERIOR/INTERIOR TRIM

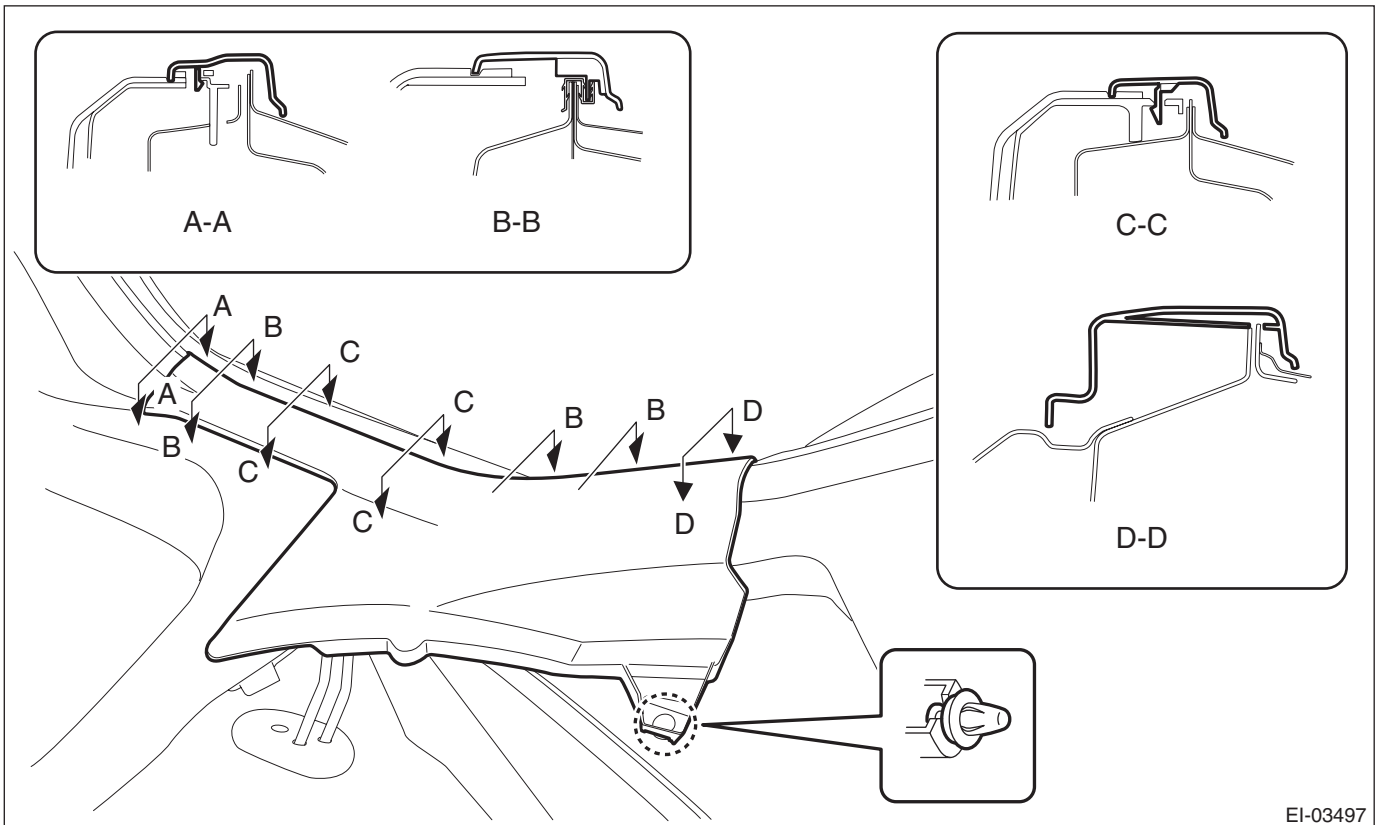
(4) Remove the hook (A) by pushing it back while lifting the front side of the rear seat cushion, and remove the rear seat cushion.



4) Release the clips and claws, and then remove the cover side sill - rear INN.

CAUTION:

Do not pull with excessive force. Doing so may damage the claws of the cover side sill - rear INN.

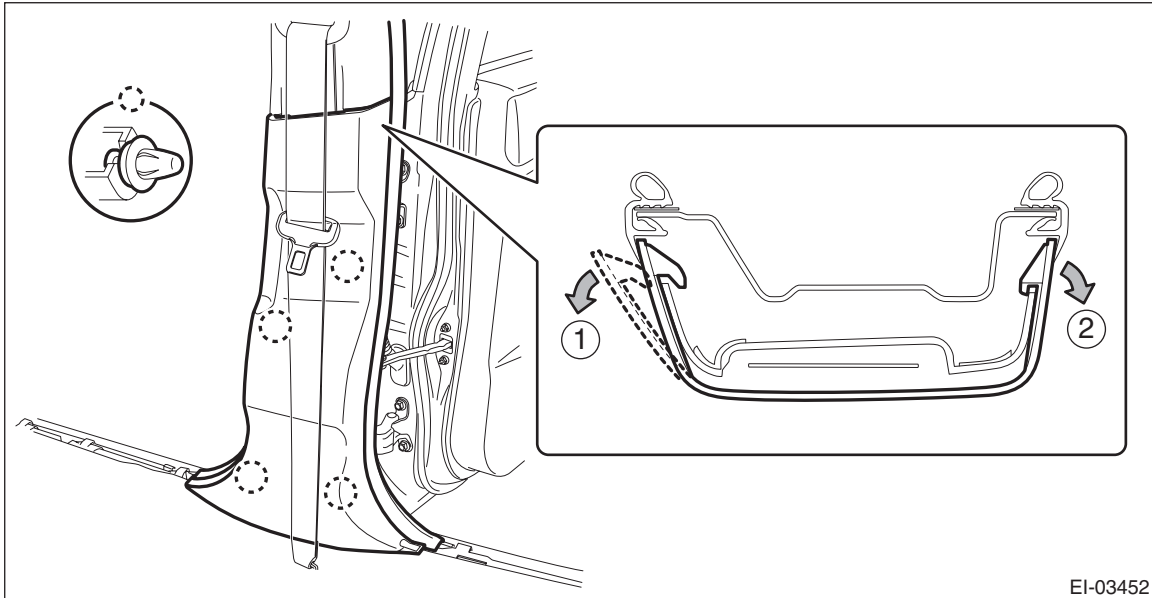


5) Remove the trim panel - center pillar LWR.

- (1) Release the clip by pulling the trim panel - center pillar LWR toward you.
- (2) Expand the claws of the trim panel - center pillar LWR outward, and remove it from the trim panel - center pillar UPR.

CAUTION:

Do not expand the trim panel - center pillar LWR excessively. Doing so may damage the trim.



EI-03452

NOTE:

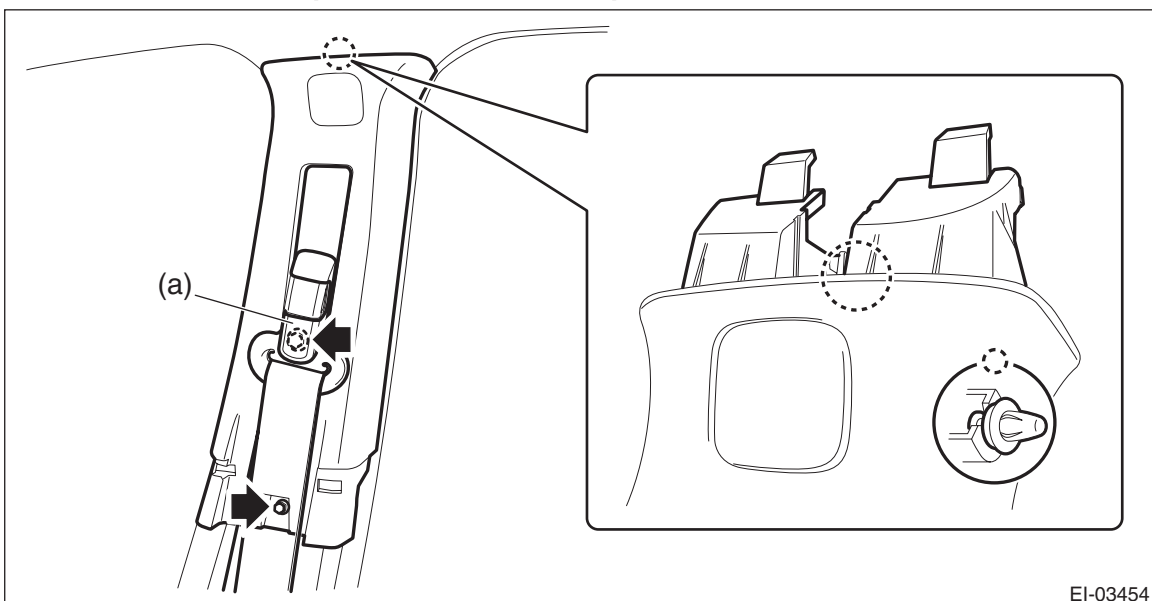
First release the claw located to the front of the vehicle.

6) Remove the trim panel - center pillar UPR.

- (1) Remove the cover through (a), and remove the seat belt anchor bolt.
- (2) Remove the bolt on the lower side of the trim panel - center pillar UPR.
- (3) Remove the clip by pulling the upper part of the trim toward you, and while lowering the entire trim, remove the trim panel - center pillar UPR.

CAUTION:

Do not reuse the upper clips of the trim panel - center pillar UPR. Once the clip is removed, its holding force is reduced. Be sure to replace it with a new clip.



EI-03454

Upper Inner Trim

EXTERIOR/INTERIOR TRIM

B: INSTALLATION

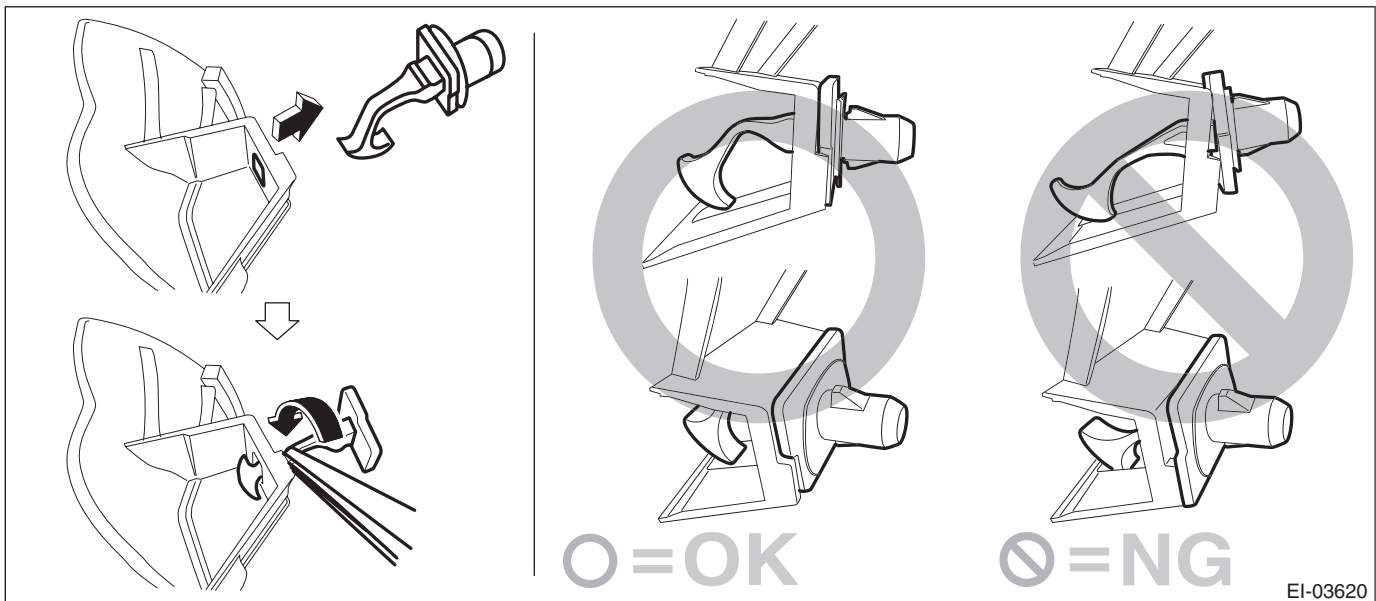
CAUTION:

- When reusing the tether clip on the upper part of the trim panel - front pillar UPR, check that there is no damage to the tether clip. If the clip is damaged, its holding force is reduced and the trim panel - front pillar UPR may come off. Be sure to replace it with a new clip.
- Do not reuse the tether clip removed from the upper part of the trim panel - front pillar UPR. Always replace with a new part.
- Do not reuse the upper clips of the trim panel - center pillar UPR. Once the clip is removed, its holding force is reduced. Be sure to replace it with a new clip.
- Before installing the trim panel - front pillar UPR, check the condition of protective non-woven fabric (white) of the curtain airbag. If it is damaged (airbag module cloth is exposed), replace the curtain airbag module assembly with a new part.

1) Remove the remaining tether clips from the vehicle body.

2) Install the trim panel - front pillar UPR.

(1) Check the installation status of the tether clips and install the trim panel - front pillar UPR.



3) Install each part in the reverse order of removal.

Tightening torque

Front seat belt: <Ref. to SB-2, FRONT SEAT BELT, COMPONENT, General Description.>