

21.Rear Quarter Trim

A: REMOVAL

1. 4 DOOR MODEL

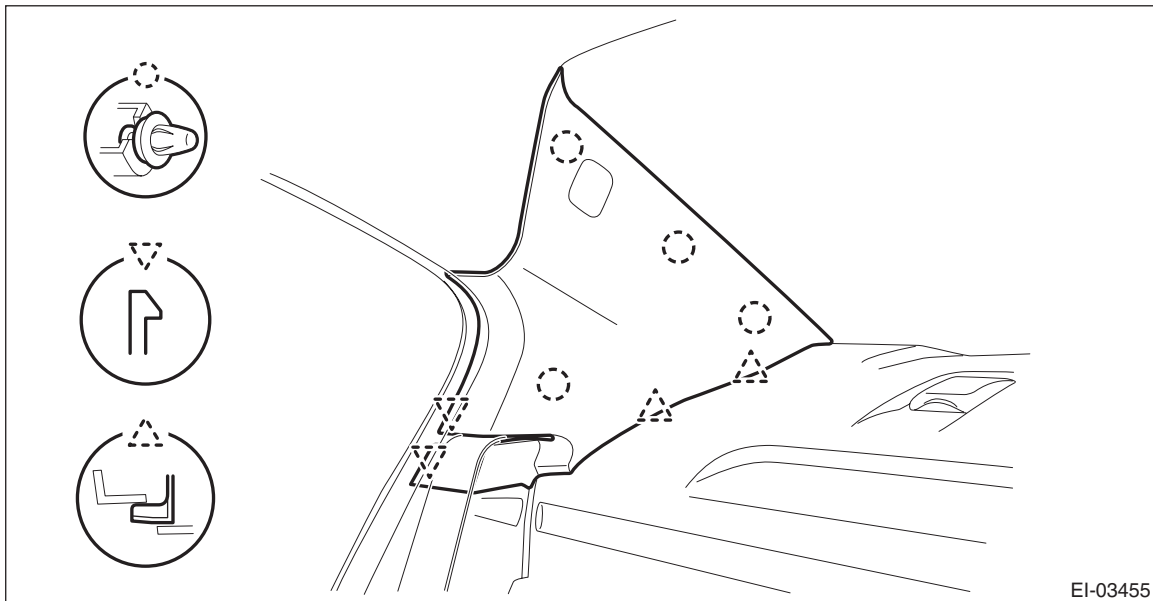
CAUTION:

- Airbag system satellite safing sensor is located in the lower of the rear seat cushion center. Before removing the rear seat, refer to “CAUTION” of “General Description” in “AIRBAG SYSTEM” section. <Ref. to AB-11, CAUTION, General Description.>

- The airbag system is fitted with a backup power supply. After disconnecting the battery ground cable, the airbag may operate if you do not wait for 60 seconds before starting the service of airbag system.

1) Disconnect the ground cable from battery and wait for at least 60 seconds before starting work.

2) Remove the clips, and remove the trim panel - rear pillar UPR.



Rear Quarter Trim

EXTERIOR/INTERIOR TRIM

3) Remove the rear seat cushion assembly.

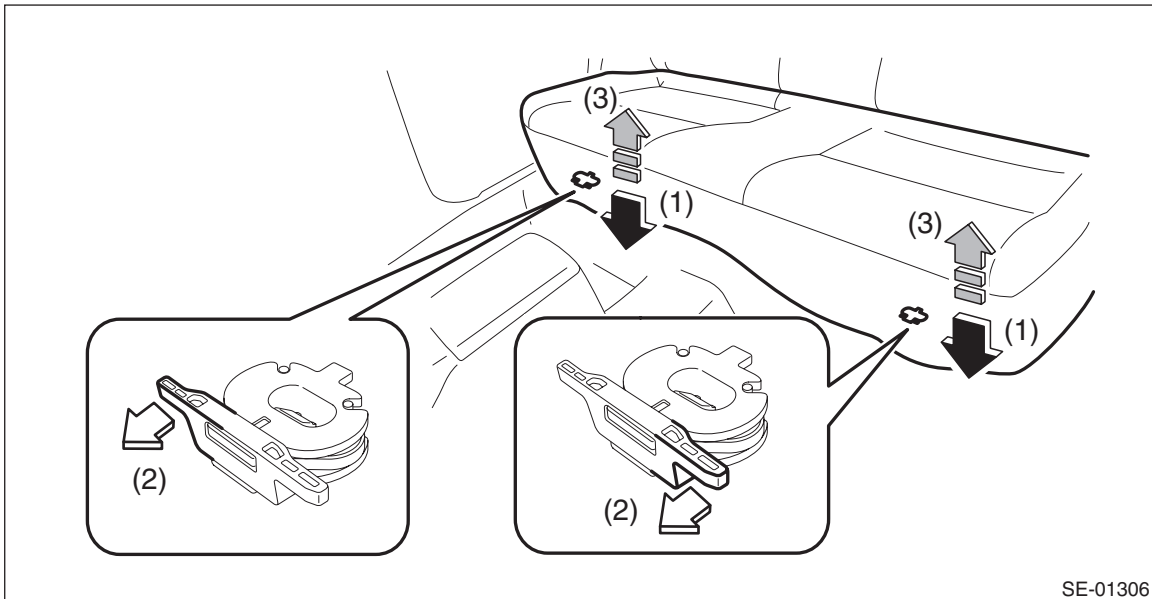
(1) Push the corners of the rear seat cushion from above.

(2) While pushing the corners of the rear seat cushion from above, pull the knob of the hook - seat cushion rear towards yourself.

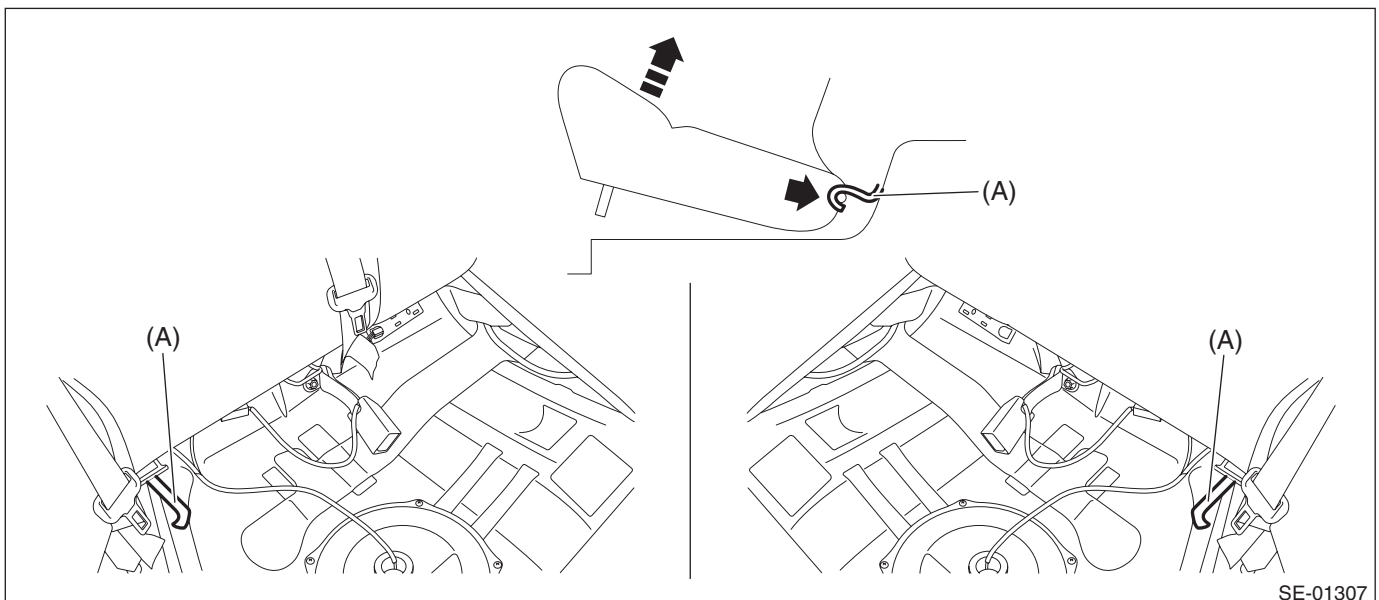
(3) While pulling the knob towards yourself, disconnect the hooks by lifting up the rear seat cushion.

NOTE:

Pull the left side of the knob to disconnect the LH side hook, and pull the right side of the knob to disconnect the RH side hook.



(4) Remove the hook (A) by pushing it back while lifting the front side of the rear seat cushion, and remove the rear seat cushion.



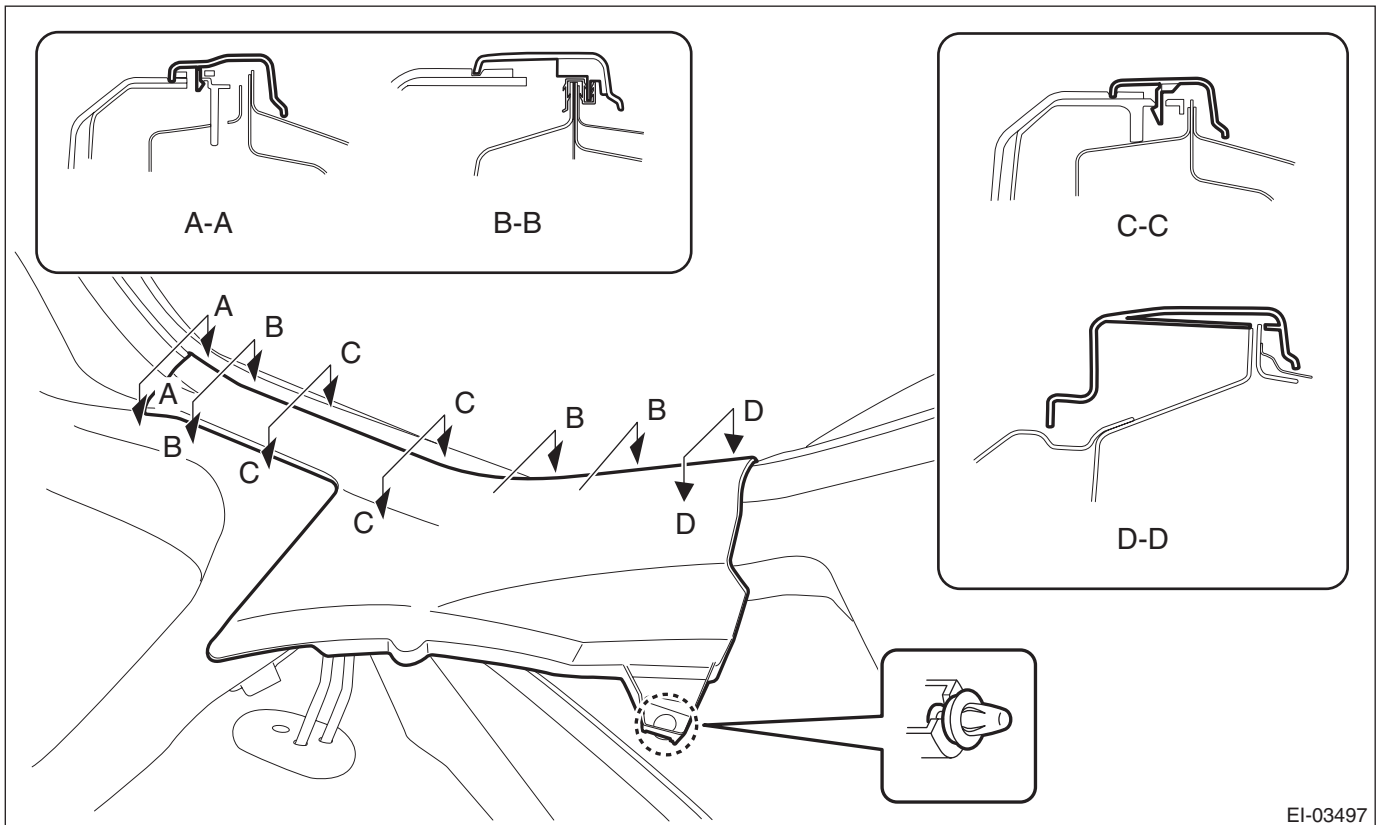
Rear Quarter Trim

EXTERIOR/INTERIOR TRIM

4) Release the clips and claws, and then remove the cover side sill - rear INN.

CAUTION:

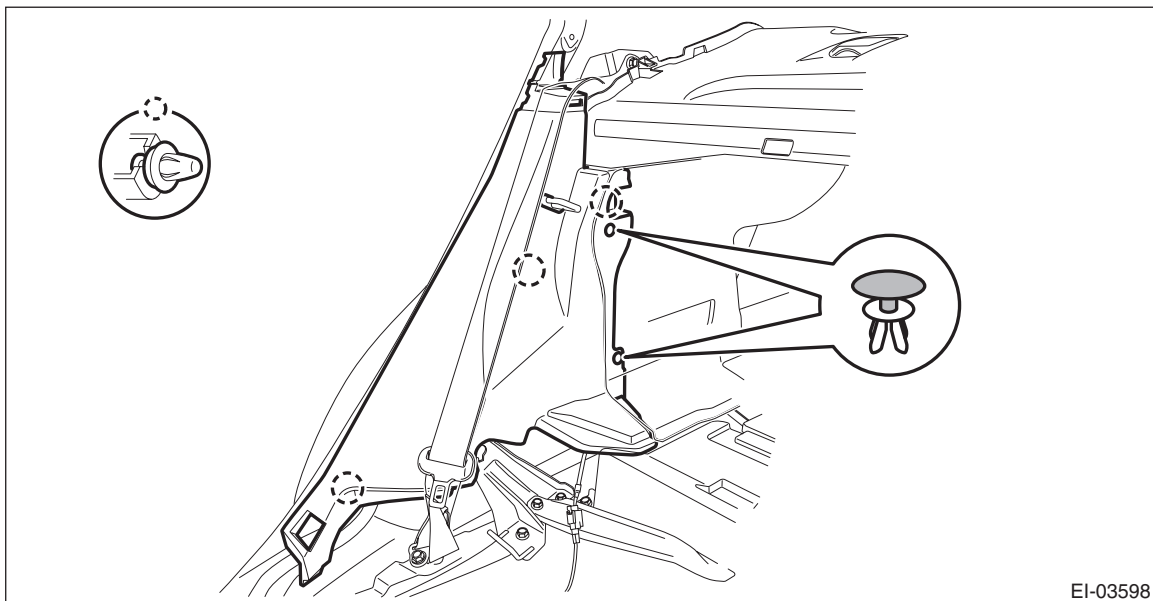
Do not pull with excessive force. Doing so may damage the claws of the cover side sill - rear INN.



EI-03497

5) Remove the trim panel - rear pillar LWR.

- (1) Remove the clips, and turn over the trim panel - trunk side.
- (2) Remove the clips, and remove the trim panel - rear pillar LWR.



EI-03598

Rear Quarter Trim

EXTERIOR/INTERIOR TRIM

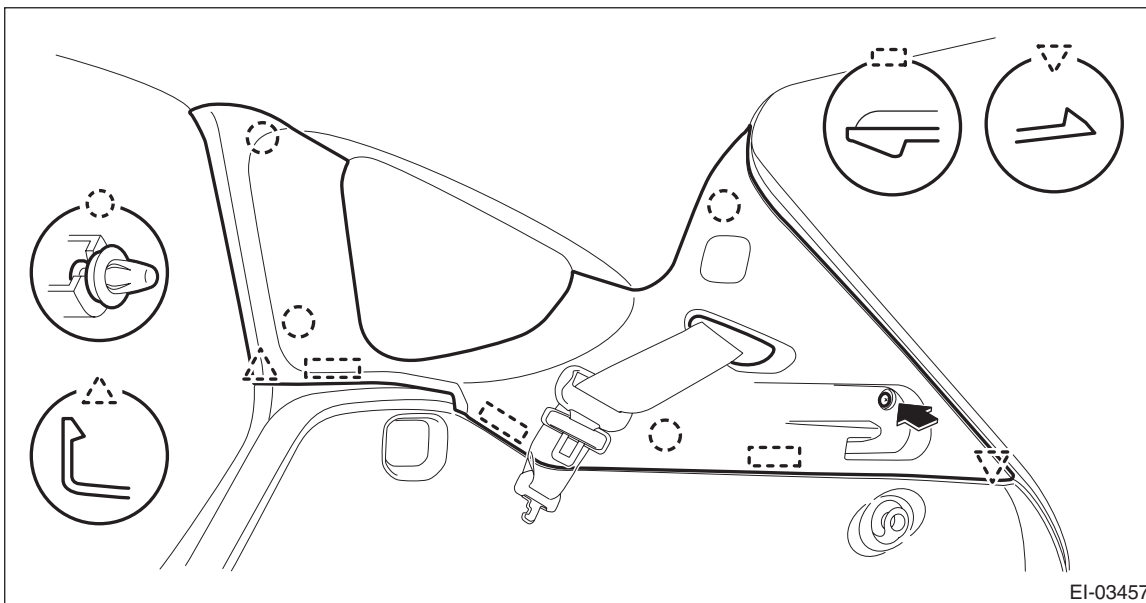
2. 5 DOOR MODEL/XV MODEL

CAUTION:

- Airbag system satellite safing sensor is located in the lower of the rear seat cushion center. Before removing the rear seat, refer to “CAUTION” of “General Description” in “AIRBAG SYSTEM” section. <Ref. to AB-11, CAUTION, General Description.>

- The airbag system is fitted with a backup power supply. After disconnecting the battery ground cable, the airbag may operate if you do not wait for 60 seconds before starting the service of airbag system.

- 1) Disconnect the ground cable from battery and wait for at least 60 seconds before starting work.
- 2) Remove the screws and clips, and remove the trim panel - rear quarter pillar UPR.



- 3) Remove the rear seat cushion assembly.

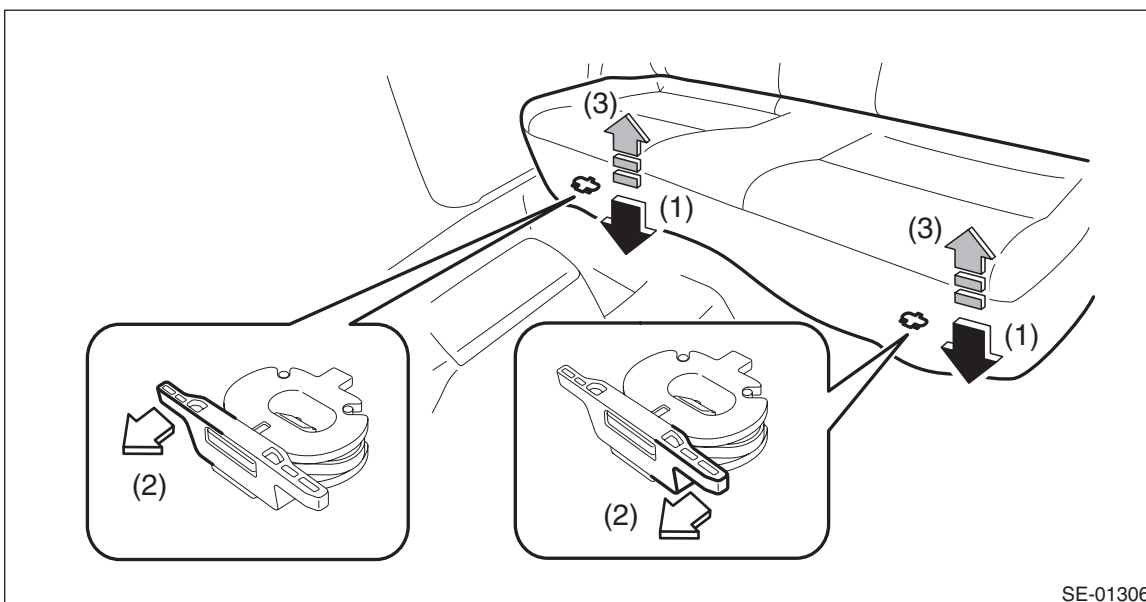
- (1) Push the corners of the rear seat cushion from above.

- (2) While pushing the corners of the rear seat cushion from above, pull the knob of the hook - seat cushion rear towards yourself.

- (3) While pulling the knob towards yourself, disconnect the hooks by lifting up the rear seat cushion.

NOTE:

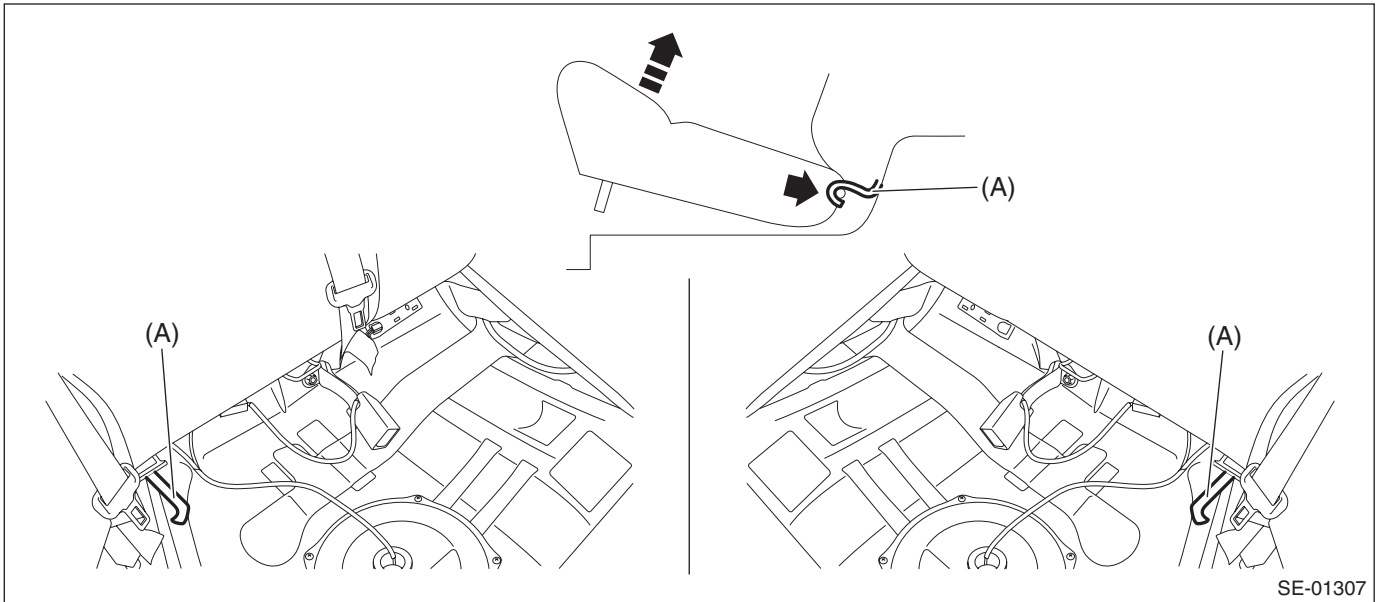
Pull the left side of the knob to disconnect the LH side hook, and pull the right side of the knob to disconnect the RH side hook.



Rear Quarter Trim

EXTERIOR/INTERIOR TRIM

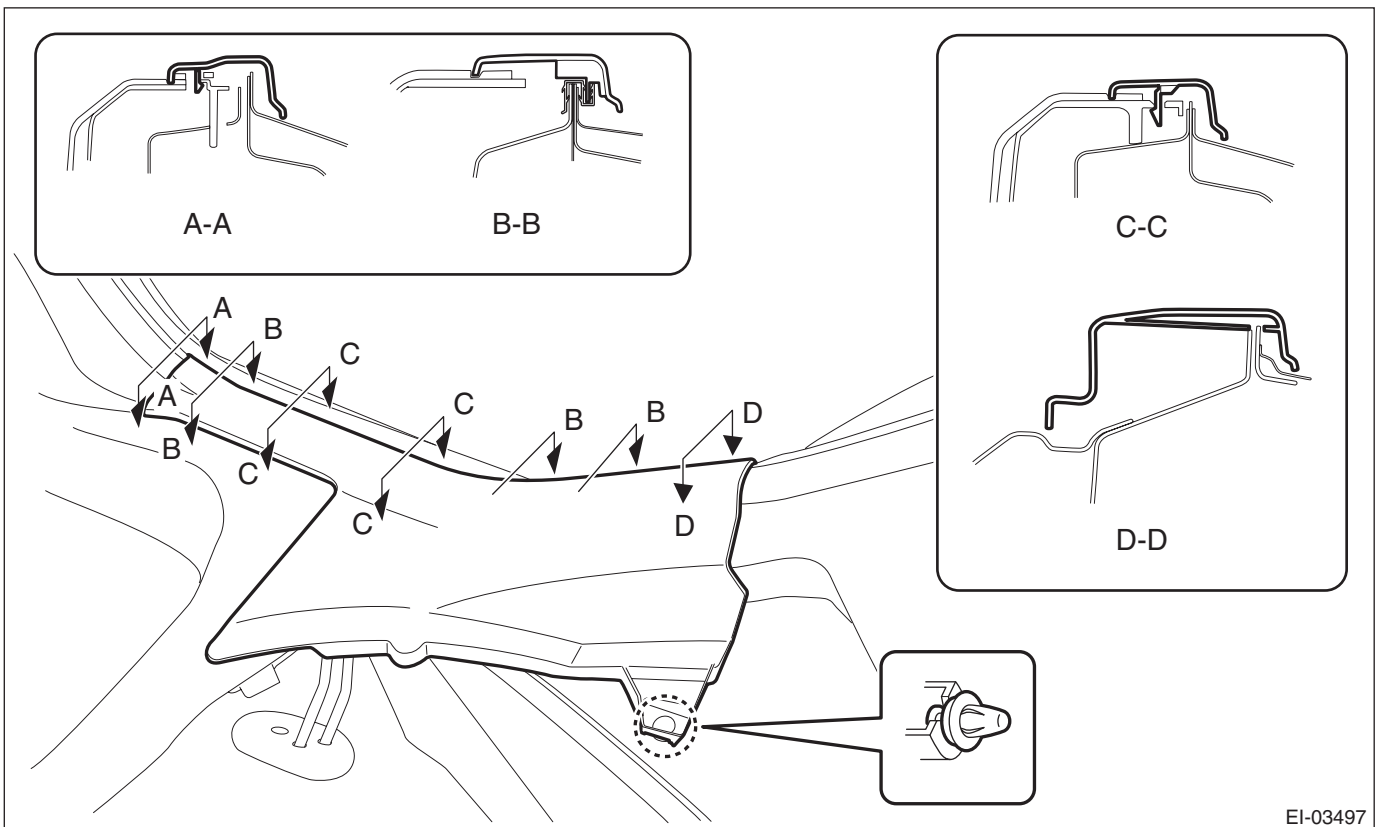
(4) Remove the hook (A) by pushing it back while lifting the front side of the rear seat cushion, and remove the rear seat cushion.



4) Release the clips and claws, and then remove the cover side sill - rear INN.

CAUTION:

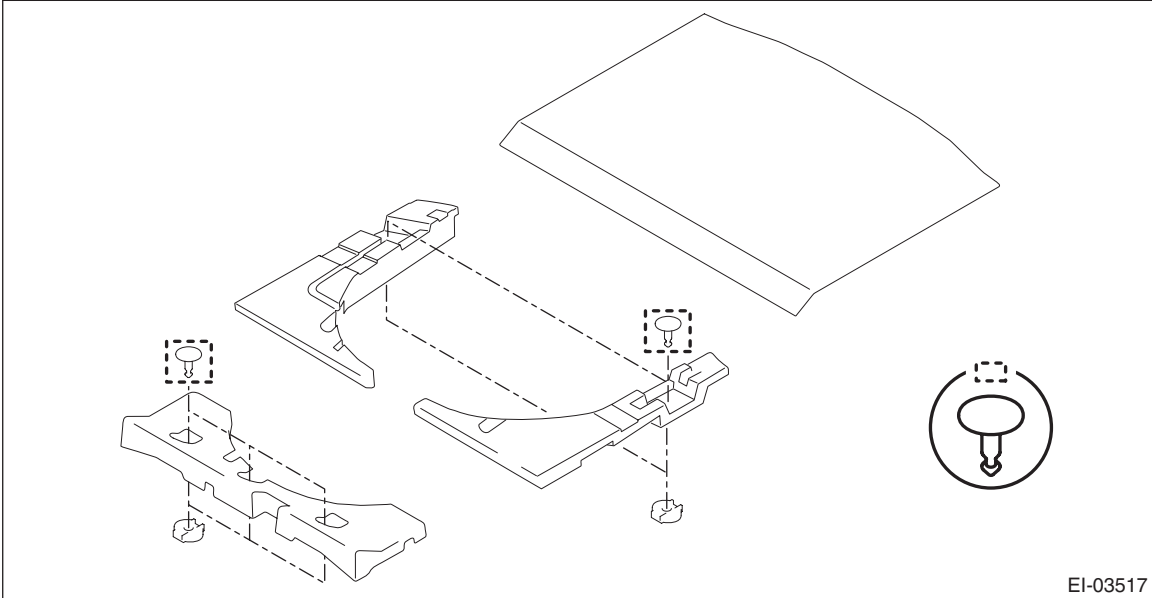
Do not pull with excessive force. Doing so may damage the claws of the cover side sill - rear INN.



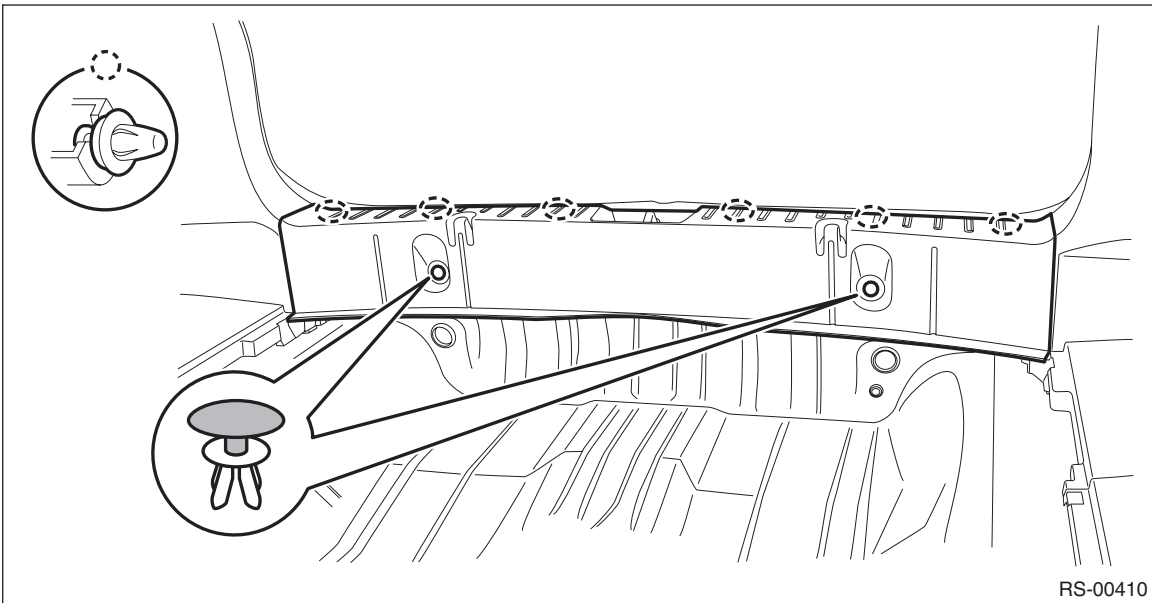
Rear Quarter Trim

EXTERIOR/INTERIOR TRIM

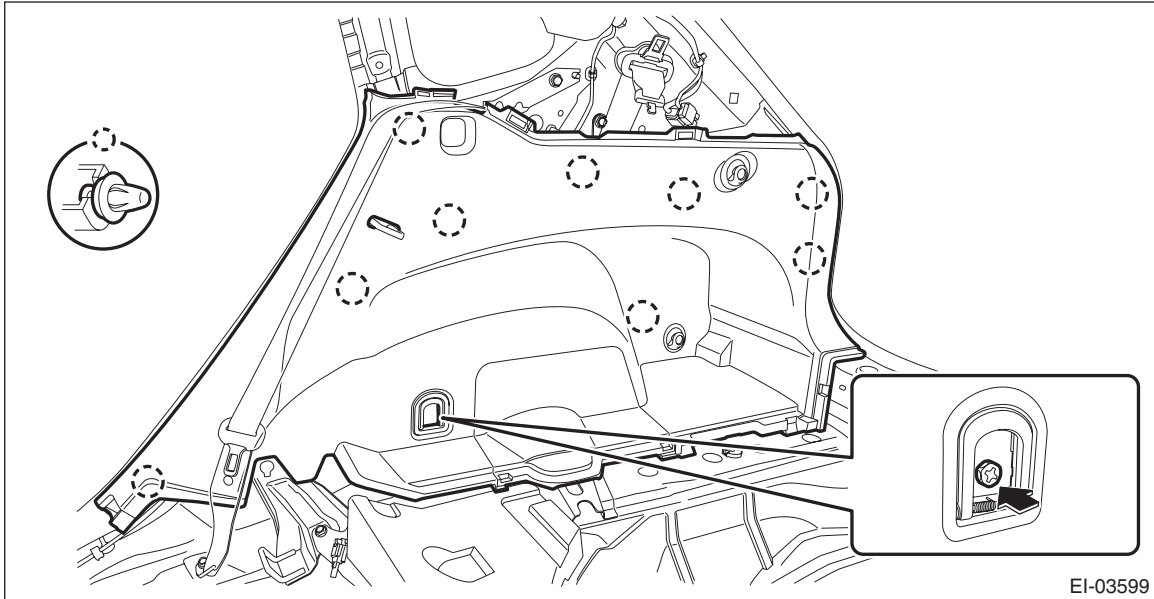
5) Remove the mat - rear floor CTR and the spacer - rear floor side.



6) Remove the clips, and remove the trim panel - rear skirt.



- 7) Remove the trim panel - rear apron.
 - (1) Remove the caps, and then remove the screws.
 - (2) Remove the clips, and remove the trim panel - rear apron.



B: INSTALLATION

Install each part in the reverse order of removal.

Tightening torque:

Rear seat backrest assembly: <Ref. to SE-5, REAR SEAT, COMPONENT, General Description.>