

Rear Shelf Trim

EXTERIOR/INTERIOR TRIM

22.Rear Shelf Trim

A: REMOVAL

CAUTION:

• Airbag system satellite safing sensor is located in the lower of the rear seat cushion center. Before removing the rear seat, refer to “CAUTION” of “General Description” in “AIRBAG SYSTEM” section. <Ref. to AB-11, CAUTION, General Description.>

• The airbag system is fitted with a backup power supply. After disconnecting the battery ground cable, the airbag may operate if you do not wait for 60 seconds before starting the service of airbag system.

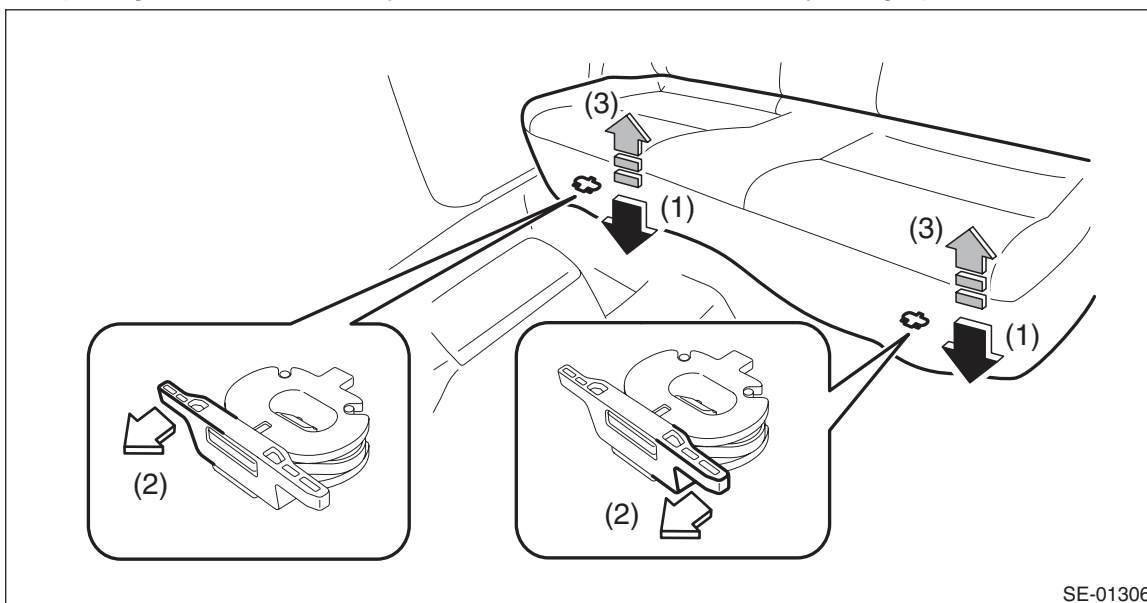
1) Disconnect the ground cable from battery and wait for at least 60 seconds before starting work.

2) Remove the rear seat cushion assembly.

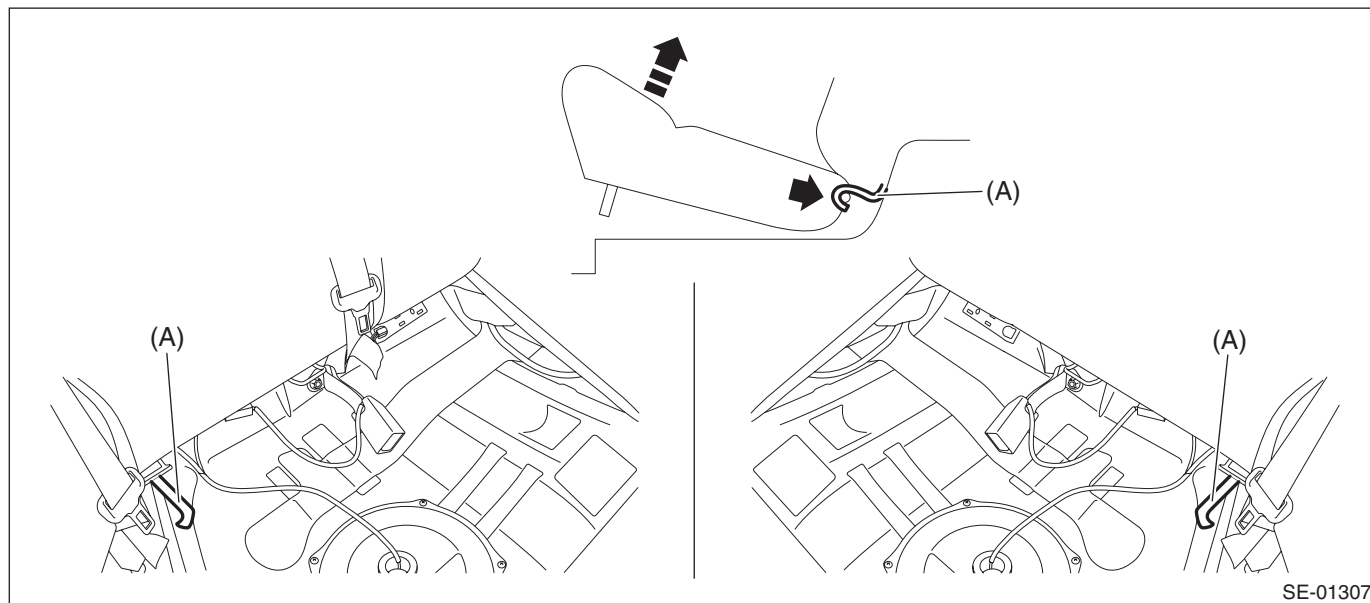
(1) Push the corners of the rear seat cushion from above.

(2) While pushing the corners of the rear seat cushion from above, pull the knob of the hook - seat cushion rear towards yourself.

(3) While pulling the knob towards yourself, disconnect the hooks by lifting up the rear seat cushion.



(4) Remove the hook (A) by pushing it back while lifting the front side of the rear seat cushion, and remove the rear seat cushion.



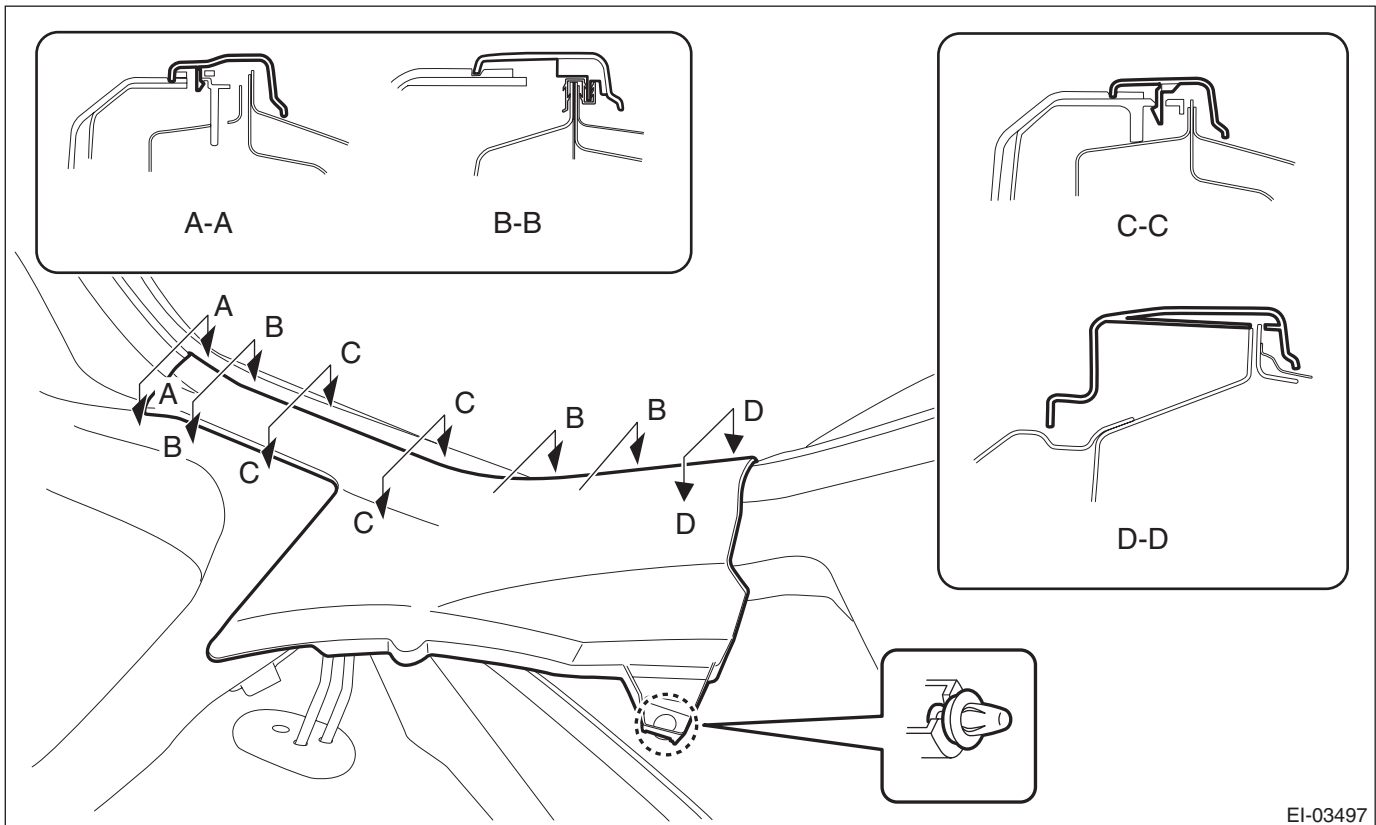
Rear Shelf Trim

EXTERIOR/INTERIOR TRIM

3) Release the clips and claws, and remove the side sill covers - rear INN on the left and right sides.

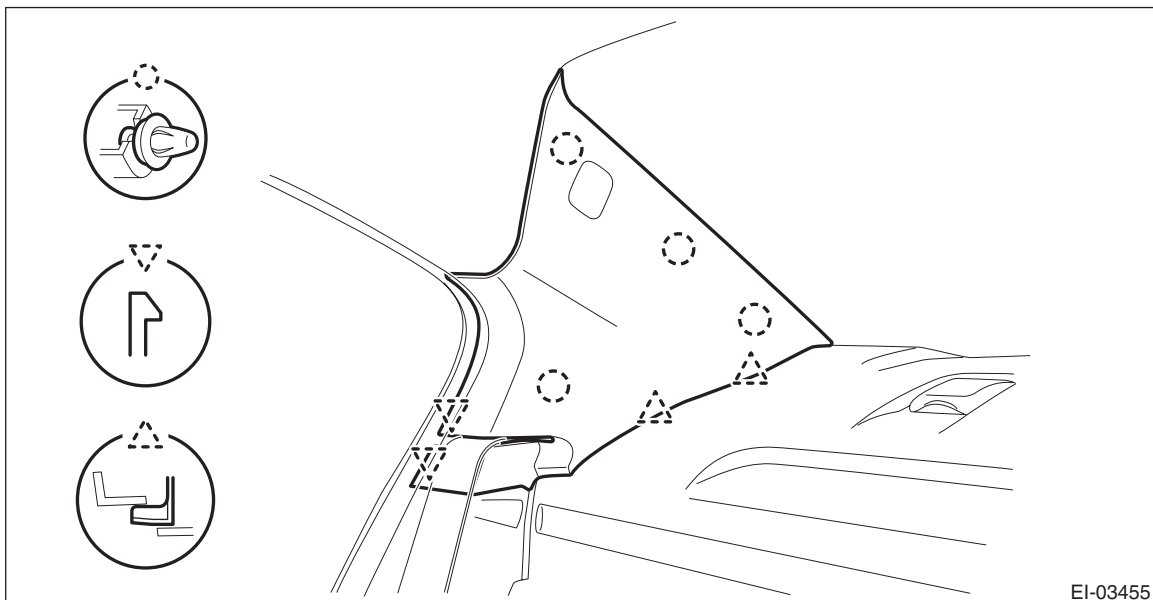
CAUTION:

Do not pull with excessive force. Doing so may damage the claws of the side sill cover - rear INN.



EI-03497

4) Remove the clips, and remove the trim panel - rear pillar UPR on the left and right sides.

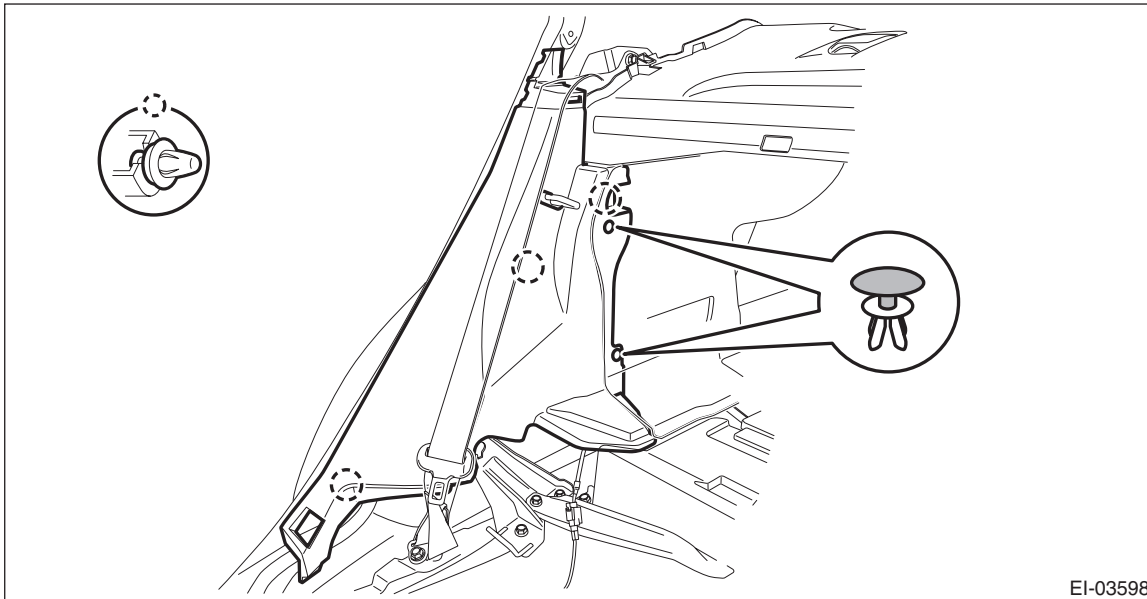


EI-03455

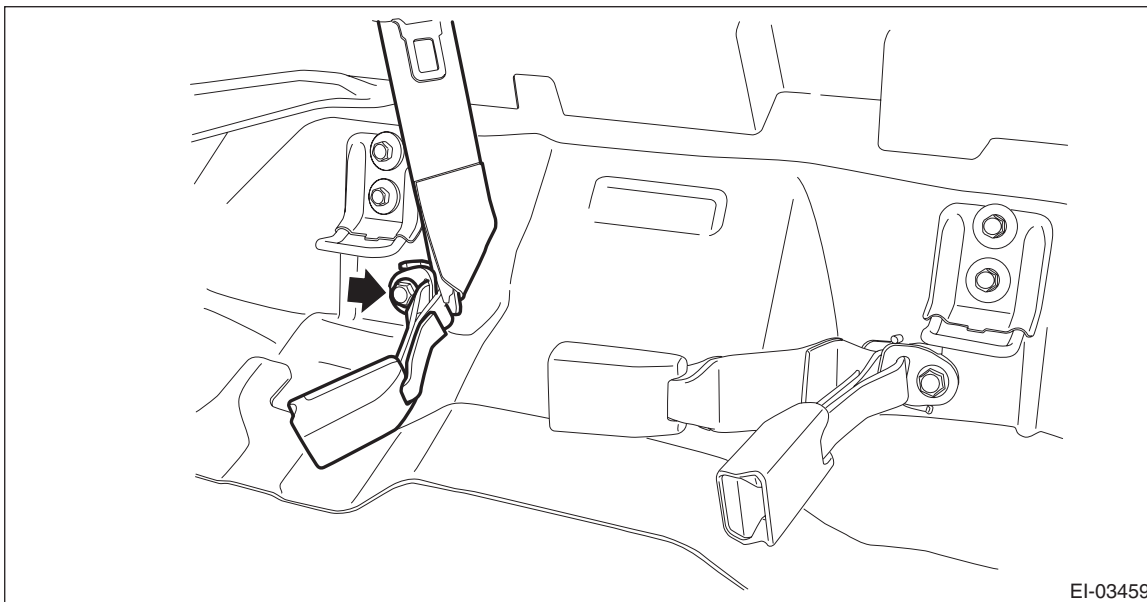
Rear Shelf Trim

EXTERIOR/INTERIOR TRIM

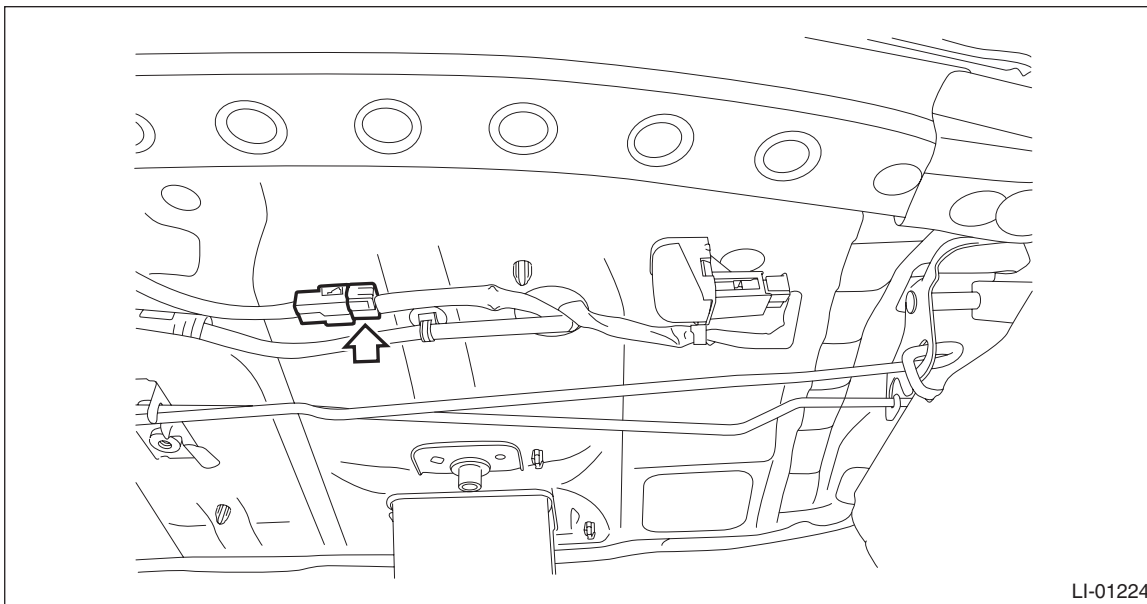
- 5) Remove the trim panel - rear pillar LWR on the left and right sides.
- (1) Remove the clips, and turn over the trim panel - trunk side.
 - (2) Remove the clips, and remove the trim panel - rear pillar LWR.



- 6) Remove the bolts, and remove the lower anchor of the seat belt - rear shoulder CTR.

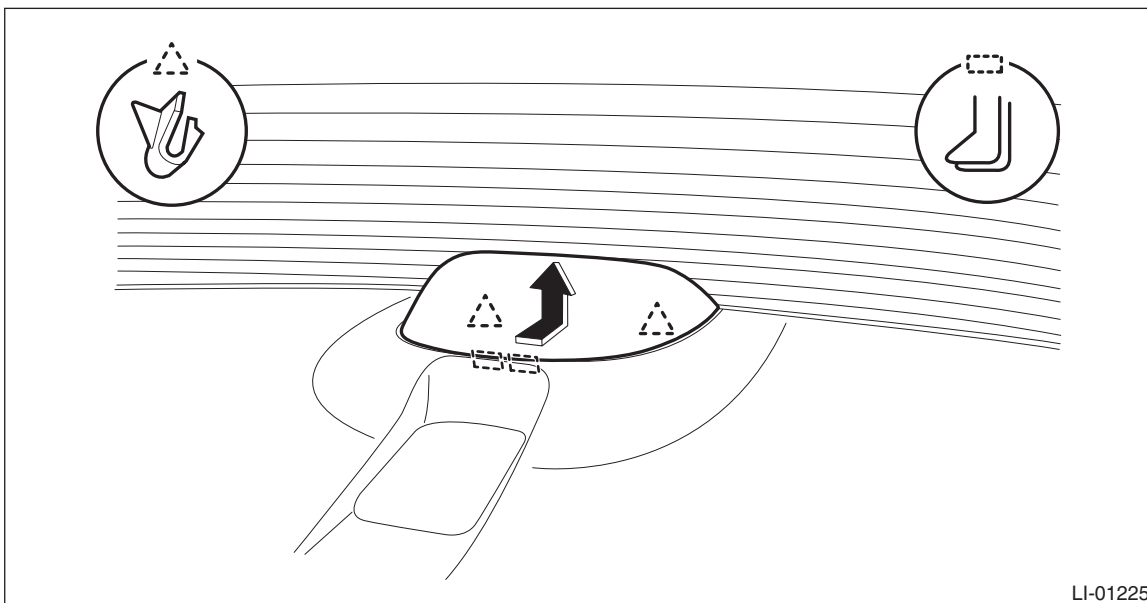


- 7) Remove the high-mounted stop light.
 - (1) Disconnect the connector.



LI-01224

- (2) Release the claws, and remove the light assembly - high-mounted.

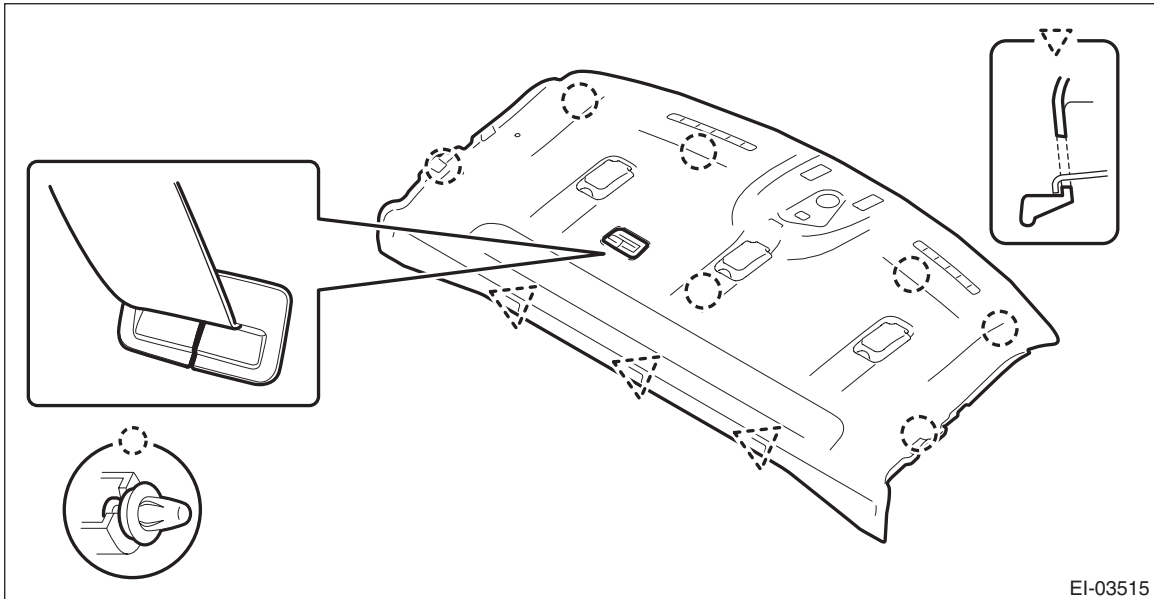


LI-01225

Rear Shelf Trim

EXTERIOR/INTERIOR TRIM

- 8) Remove the trim panel assembly - rear shelf.
 - (1) Release the clips to float the trim panel assembly - rear shelf.
 - (2) Release the belt guide, and guide the anchor of the seat belt - rear shoulder CTR to behind the trim panel - rear shelf assembly.
 - (3) Disconnect the connector of high-mounted stop light.
 - (4) Remove the trim panel assembly - rear shelf.



B: INSTALLATION

CAUTION:

Make sure that the claw behind the light assembly - high-mounted is securely attached to the trim panel assembly - rear shelf.

Install each part in the reverse order of removal.

Tightening torque:

Rear seat belt: <Ref. to SB-3, REAR SEAT BELT (4 DOOR MODEL), COMPONENT, General Description.>

Rear seat backrest assembly: <Ref. to SE-5, REAR SEAT, COMPONENT, General Description.>