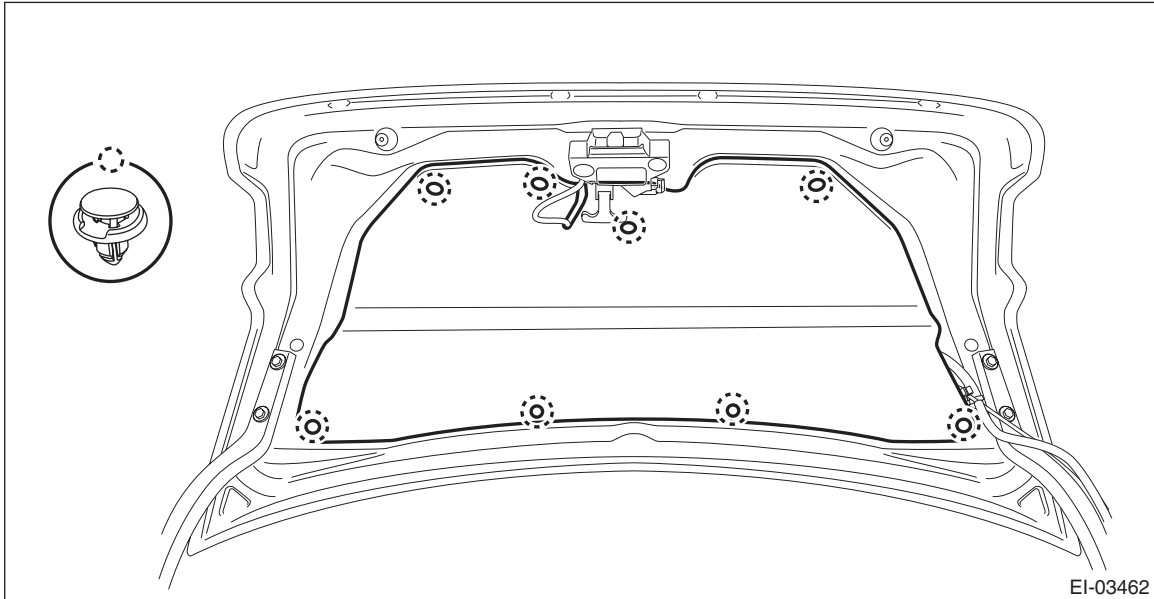


## 23. Trunk Room Trim

### A: REMOVAL

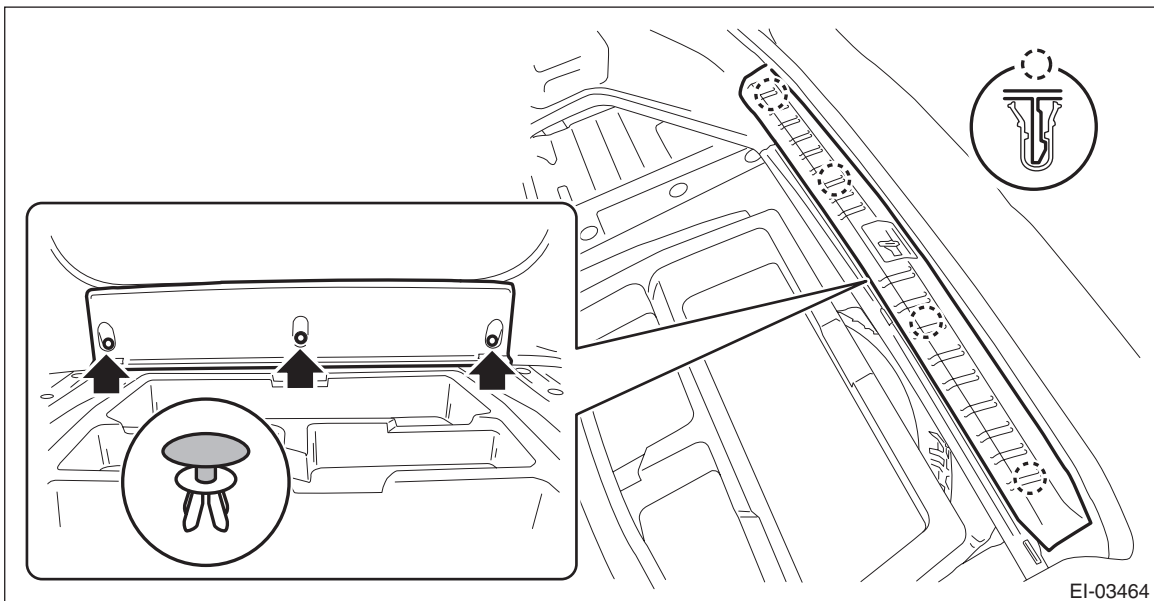
#### 1. TRUNK LID TRIM

- 1) Open the trunk lid.
- 2) Remove the clips, and remove the trim panel - trunk lid.



#### 2. TRUNK ROOM TRIM

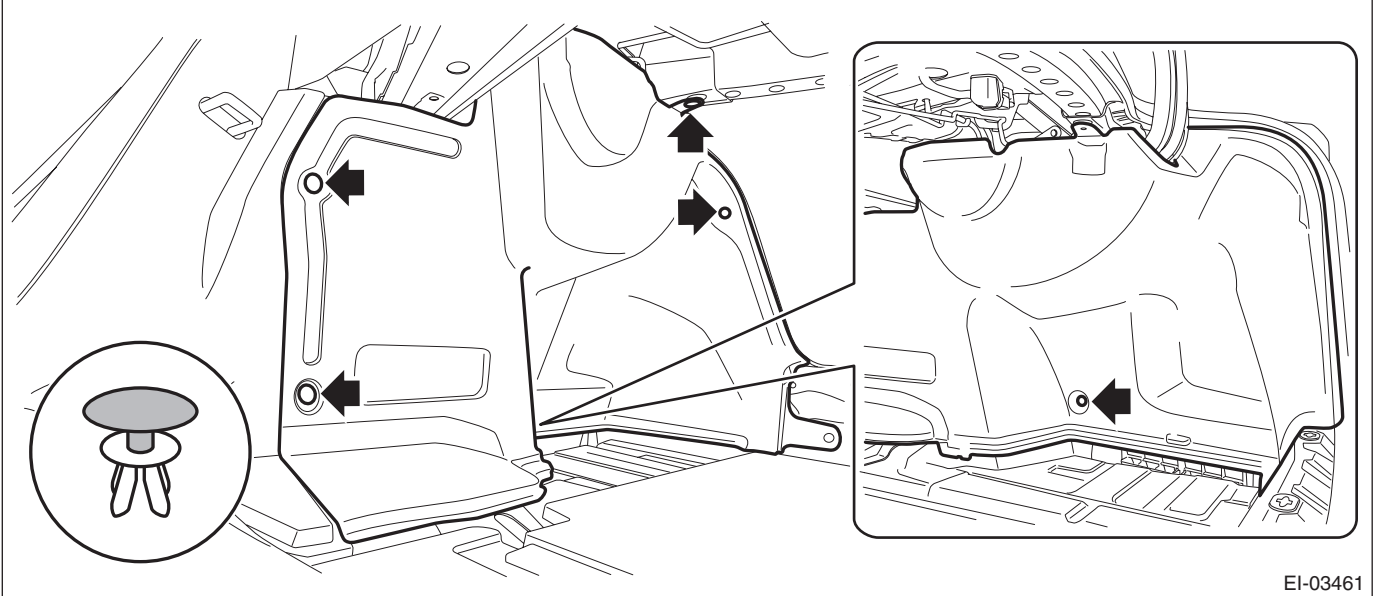
- 1) Tilt the backrest assembly forward.
- 2) Remove the mat - trunk.
- 3) Remove the trim panel - trunk rear.
  - (1) Remove the clip.
  - (2) Release the claws, and remove the trim panel - trunk rear.



# Trunk Room Trim

## EXTERIOR/INTERIOR TRIM

4) Remove the clips, and remove the trim panel - trunk side.



EI-03461

## **B: INSTALLATION**

Install each part in the reverse order of removal.