

# Identification

## IDENTIFICATION

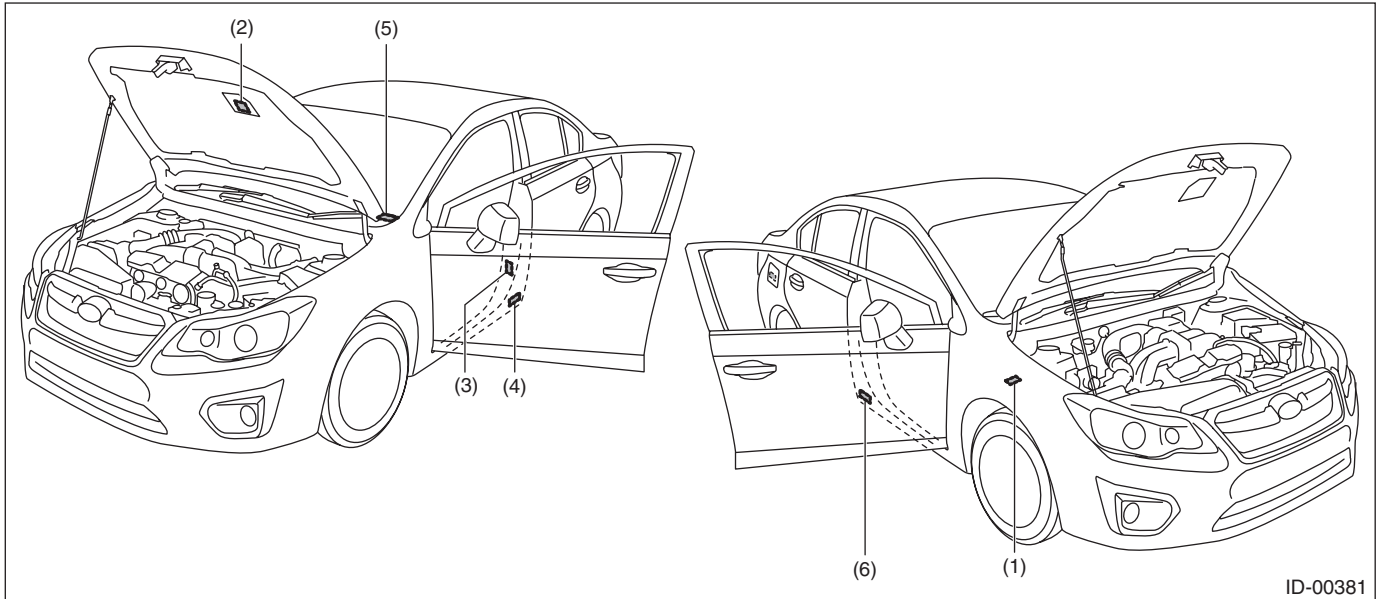
### 1. Identification

#### A: IDENTIFICATION

##### 1. IDENTIFICATION NUMBER & LABEL LOCATIONS

The V.I.N. (Vehicle Identification Numbers) is used to classify the vehicle.

- Positioning of the label for identification



ID-00381

(1) Vehicle identification number (V.I.N.) (below the driver's floor carpet)

(3) Tire inflation pressure label

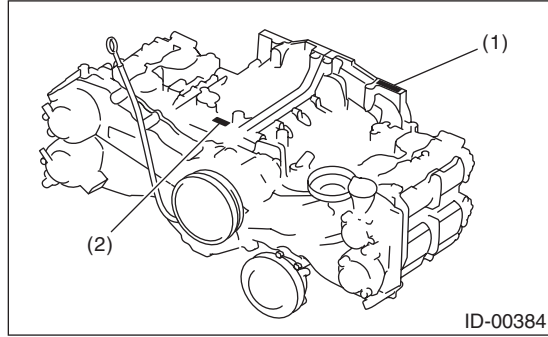
(5) Vehicle identification number (V.I.N. plate)

(2) Emission control label

(4) MVSS label

(6) Model number label

## • ENGINE

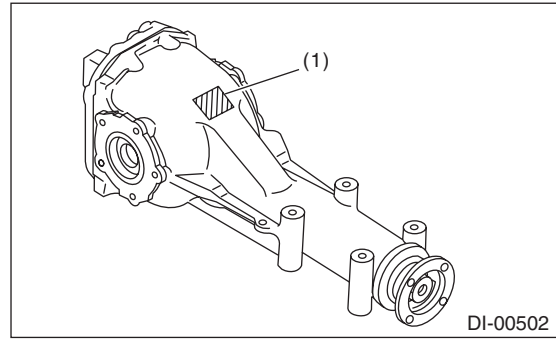


- (1) Engine serial number
- (2) Engine type (casting) cylinder block upper side

ID-00384

## • REAR DIFFERENTIAL

T-type

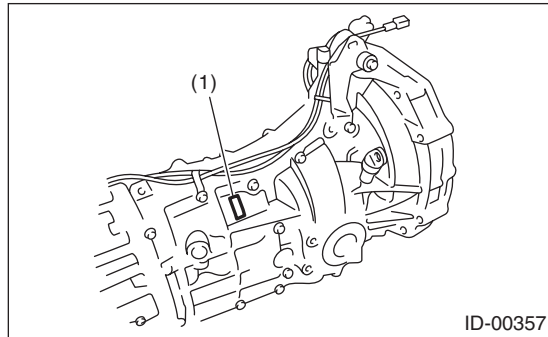


- (1) Identification (white paint)

DI-00502

## • MANUAL TRANSMISSION

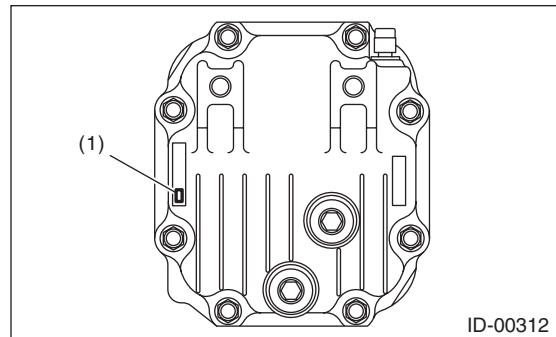
5MT



- (1) MT type and transmission serial number

ID-00357

VA1-type

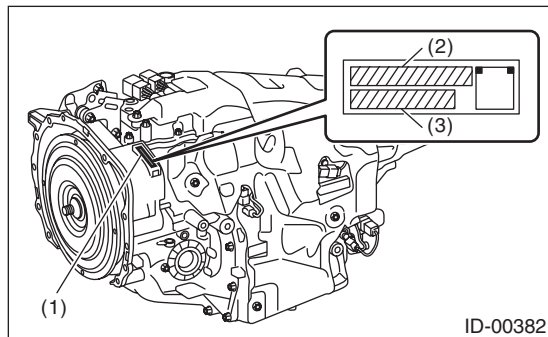


- (1) Type (label)

ID-00312

## • AUTOMATIC TRANSMISSION

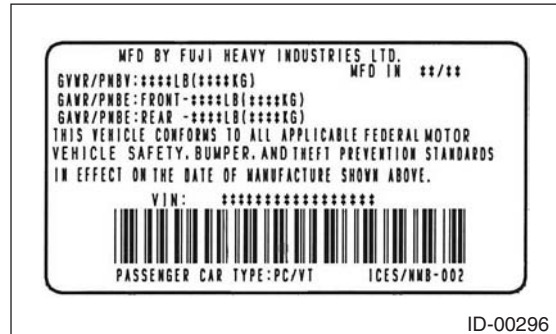
CVT



- (1) Label
- (2) CVT type label
- (3) Transmission serial No. label

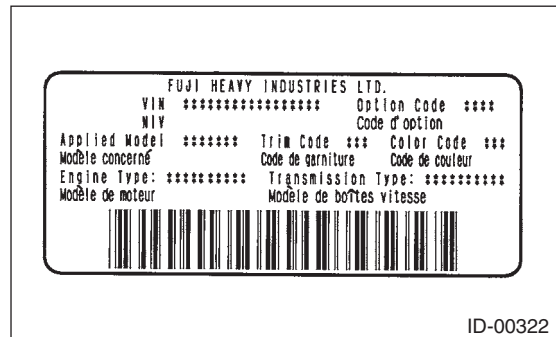
ID-00382

## • MVSS LABEL



ID-00296

## • MODEL NUMBER LABEL



ID-00322

# Identification

## IDENTIFICATION

### 2. MEANING OF V.I.N.

The meaning of the V.I.N. is as follows:

**]JF1GJAA6XDG002001[**

The starting and ending brackets ( ] [ ) are stop marks.

Digits	Code	Meaning	Details
1 — 3	JF1	Manufacturer body area	JF1: Passenger car, FHI made (Except for XV model) JF2: Passenger car, FHI made (XV model)
4	G	Car line	G: IMPREZA, XV
5	J	Body type	J: 4 door P: 5 door
6	A	Displacement	A: 2.0 L non-turbo
7	A	Grade	A: Base B: Prm C: Prm+AWP D: Prm Plus+S/R E: Prm Plus+NAVI F: Prm Plus+S/R+NAVI G: Limited H: Limited+S/R J: Limited+NAVI K: Limited+S/R+NAVI L: Sport M: Sport+S/R N: Sport+NAVI P: Sport+S/R+NAVI R: Sport-Ltd S: Sport-Ltd+S/R T: Sport-Ltd+NAVI U: Sport-Ltd+S/R+NAVI V: Prm+AWP+S/R W: Prm+AWP+NAVI Y: Prm+AWP+S/R+NAVI
8	6	Restraint	6: Manual belts, dual airbag, side airbag for seat back, curtain airbag for roof C: Manual belt, dual airbag, side airbag for seat back, curtain airbag for roof, class C (GVWR 4001 — 5000 lb) (XV model)
9	X	Check digit	0 — 9& X
10	D	Model year	D: 2013MY
11	G	Transmission type	G: Full-time AWD single range 5MT (Yajima plant, Gunma) H: Full-time AWD CVT (Yajima plant, Gunma) 1: Full-time AWD single range 5MT (Main plant, Gunma) 2: Full-time AWD CVT (Main plant, Gunma)
12 — 17	002001	Serial number	002001 — 199999: 4 door 200001 — 399999: 5 door 800001 — 999999: 5 door

### 3. MODEL NUMBER LABEL

The model number label indicates: the applied model, the option code, the trim code, the engine type, the transmission type, and the exterior color code. This information is helpful when placing orders for parts.

#### GJ7BY4C

Digits	Code	Meaning	Details
1	G	Series	G: IMPREZA, XV
2	J	Body type	J: 4 door P: 5 door
3	7	Total engine displacement Drive system Suspension system	7: 2.0 L AWD
4	B	Model year	B: 2013MY
5	Y	Destination	Y: U.S., Canada
6	4	Grade	4: 2.0 i 5: 2.0 i-Prm 6: 2.0 i-Prm+ 7: 2.0 i-Ltd 8: Sport 9: Sport-Ltd F: 2.0 i-Prm (XV) G: 2.0 i-Ltd (XV)
7	C	Transmission, fuel feed system	C: MFI CVT F: MFI 5 speed MT

The engine and transmission type are as follows.

#### Engine

#### FB20BAZA2A

Digits	Code	Meaning	Details
1 and 2	FB	Engine type	FB: 4 cylinder
3 and 4	20	Displacement	20: 2.0 L
5	B	Fuel feed system	B: MFI non-turbo (DOHC)
6	A	Exhaust regulations	A: For states not using California emission standards C: For states using California emission standards
7	Z	Intake/exhaust system	Z: Intake AVCS, exhaust AVCS, TGV, EGR
8	A	Mounted transmission	A: 5MT H: CVT
9 — 10	2A	Detailed specifications	Used when ordering parts. For details, refer to the parts catalog.

#### Transmission (MT)

#### TY758V45AA

Digits	Code	Meaning	Details
1	T	Transmission	T: Transmission
2	Y	Transmission system	Y: Full-time AWD MT center differential
3 and 4	75	Distance between gear center	75: Between main shaft and drive pinion
5	8	Series	8: 5MT
6	V	Transmission specifications	V: Full-time AWD single range 5MT with viscous coupling center differential
7	4	Mounted engine	4: 2.0 L DOHC non-turbo
8 — 10	5AA	Detailed specifications	Used when ordering parts. For details, refer to the parts catalog.

# Identification

## IDENTIFICATION

### Transmission (CVT)

#### TR580GD6AA

Digits	Code	Meaning	Details
1	T	Transmission	T: Transmission
2	R	Transmission type	R: Full-time AWD
3 and 4	58	Between pulley centers	58: Between pulley centers
5	0	Series	0: CVT
6	G	Transmission specifications	G: Active torque split type full-time AWD CVT
7	D	Engine type	D: 2.0 L DOHC
8 — 10	6AA	Detailed specifications	Used when ordering parts. For details, refer to the parts catalog.

### Rear differential

Code	Reduction gear ratio	LSD
XD	3.700	None
T2	4.111	None
TP	4.444	None

### Option code

#### CP

- 1-digit number

	C	H	I	M	V	W	Y	2	3
Aluminum wheel	○	○	○	—	○	○	○	○	○
Auto A/C	○	○	○	—	—	—	○	—	—
Manual A/C	—	—	—	○	○	○	—	○	○
Leather package	○	○	—	—	—	○	○	○	—
Genuine leather seat	—	○	—	—	—	—	○	—	—
High grade audio	○	—	○	—	—	—	—	○	○
Display audio	—	—	—	—	—	—	○	—	—
Navigation system	—	○	—	—	○	○	—	—	—

- 2-digit number

	A	B	C	E	P	R	S	U
Side airbag	○	○	○	○	○	○	○	○
Curtain airbag	○	○	○	○	○	○	○	○
HID headlight	—	—	—	—	—	○	—	○
Cold weather package	—	—	○	○	○	○	○	○
Privacy glass	○	—	—	○	—	—	○	○
Sunroof	—	—	—	—	○	○	○	○

# RECOMMENDED MATERIALS

***RM***

---

	<b>Page</b>
1. Recommended Materials .....	2

