

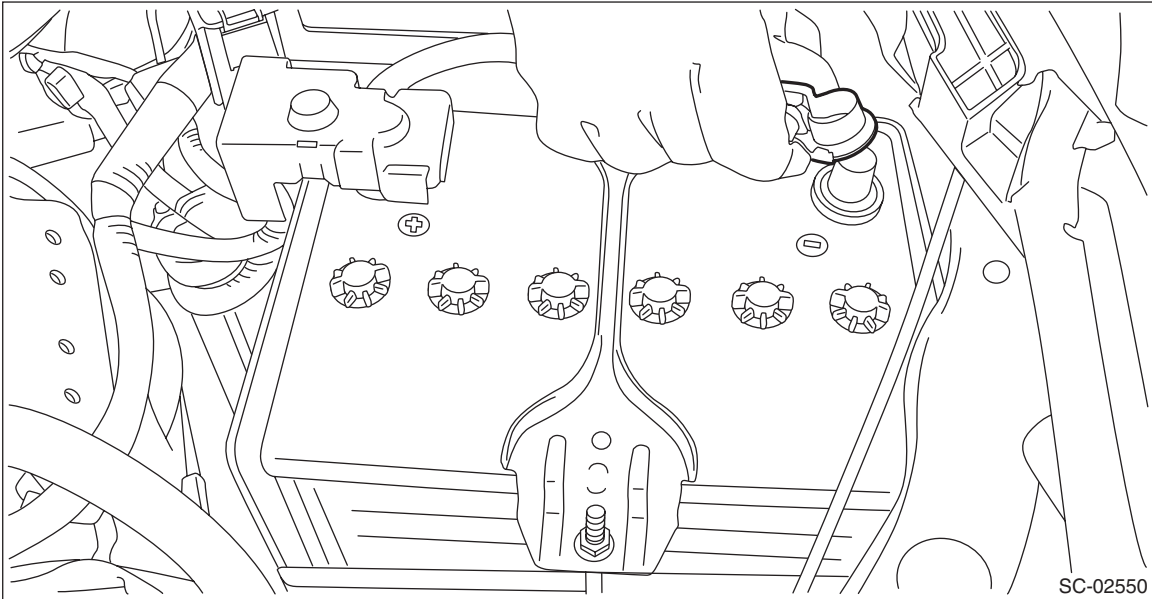
Canister

EMISSION CONTROL (AUX. EMISSION CONTROL DEVICES)

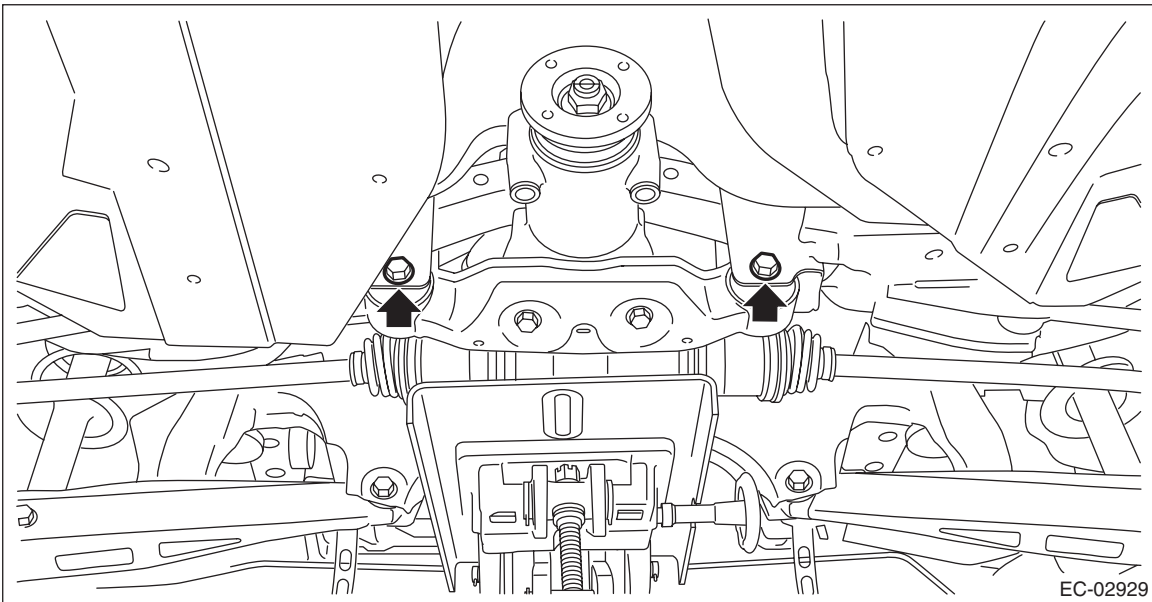
4. Canister

A: REMOVAL

- 1) Disconnect the ground cable from battery.



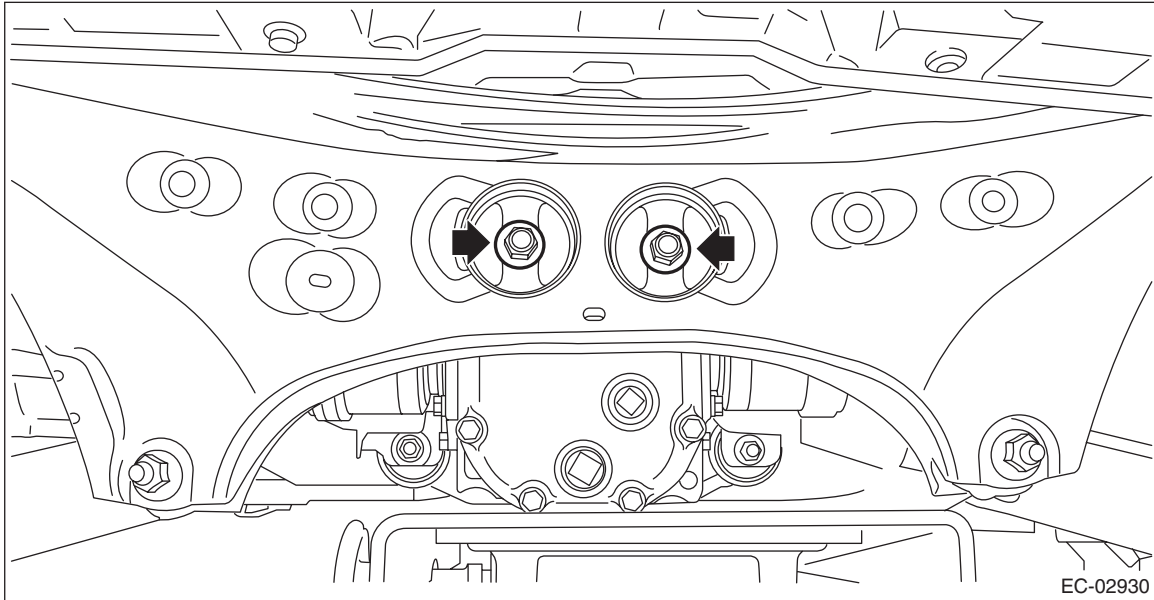
- 2) Lift up the vehicle.
- 3) Remove the propeller shaft. <Ref. to DS-12, REMOVAL, Propeller Shaft.>
- 4) Support the rear differential with the transmission jack.
- 5) Remove the bolts which hold the rear differential front crossmember from the rear crossmember.



Canister

EMISSION CONTROL (AUX. EMISSION CONTROL DEVICES)

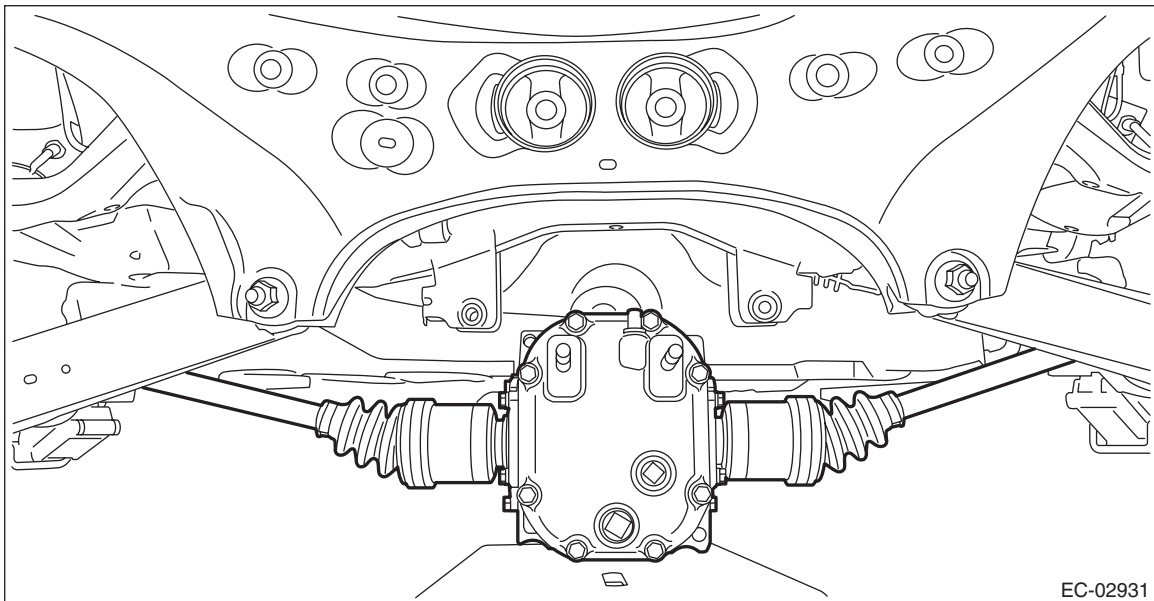
6) Remove the self-lock nuts which hold the rear differential to the rear crossmember.



7) Lower the rear differential.

NOTE:

Be careful not to apply excessive force to the drive shaft.



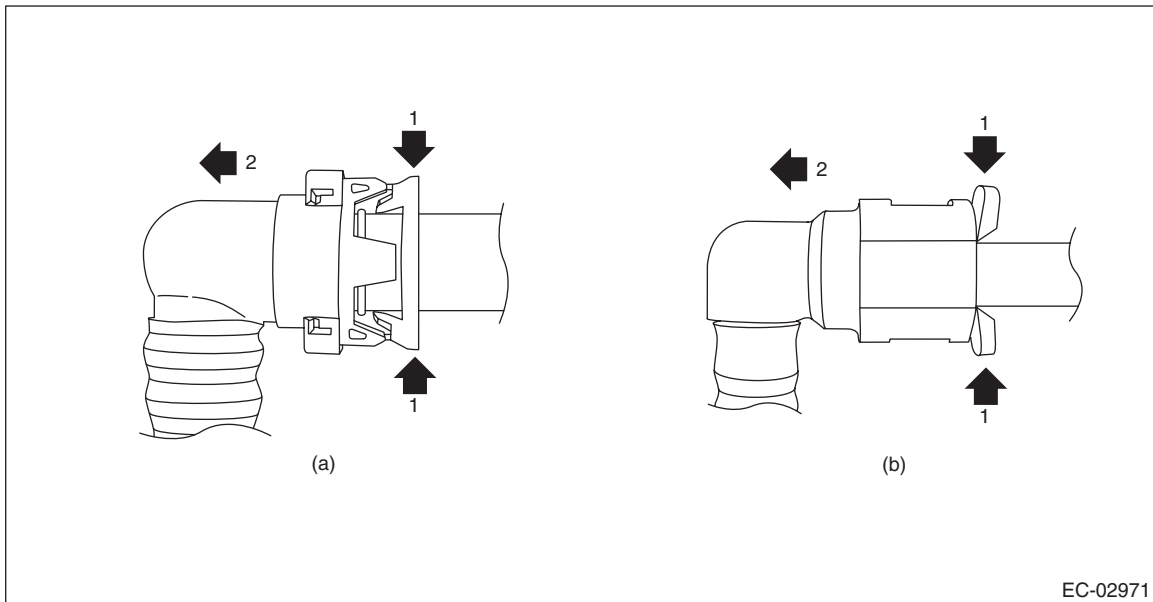
Canister

EMISSION CONTROL (AUX. EMISSION CONTROL DEVICES)

8) Disconnect the drain tube (A), vent tube (B) and purge tube (C) from the canister.

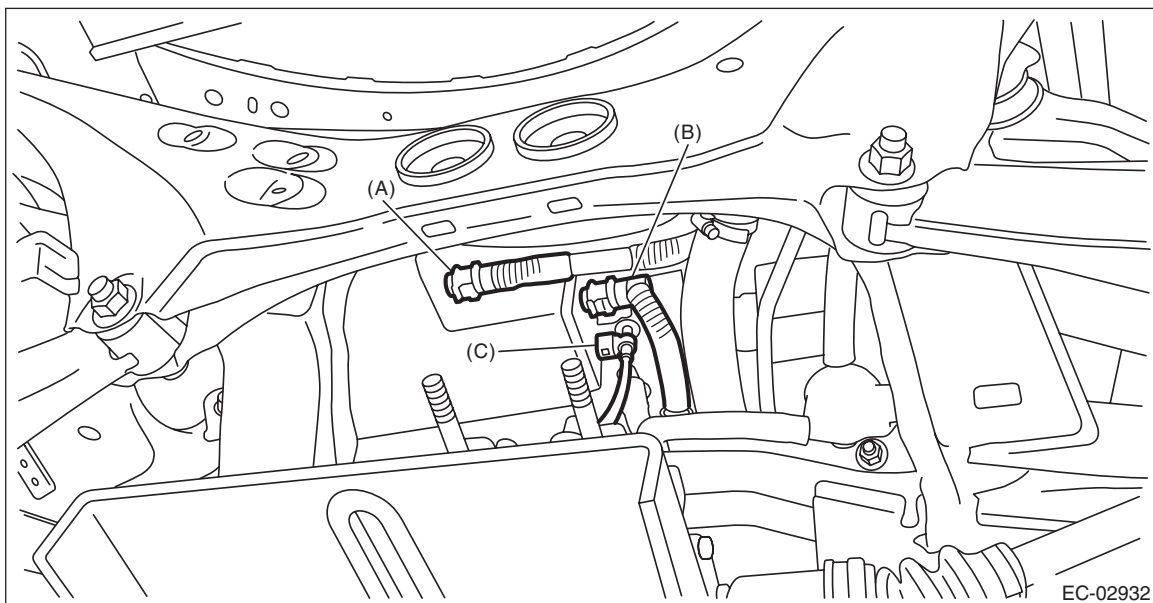
NOTE:

Disconnect the quick connector as shown in the figure.



(a) Drain tube and vent tube

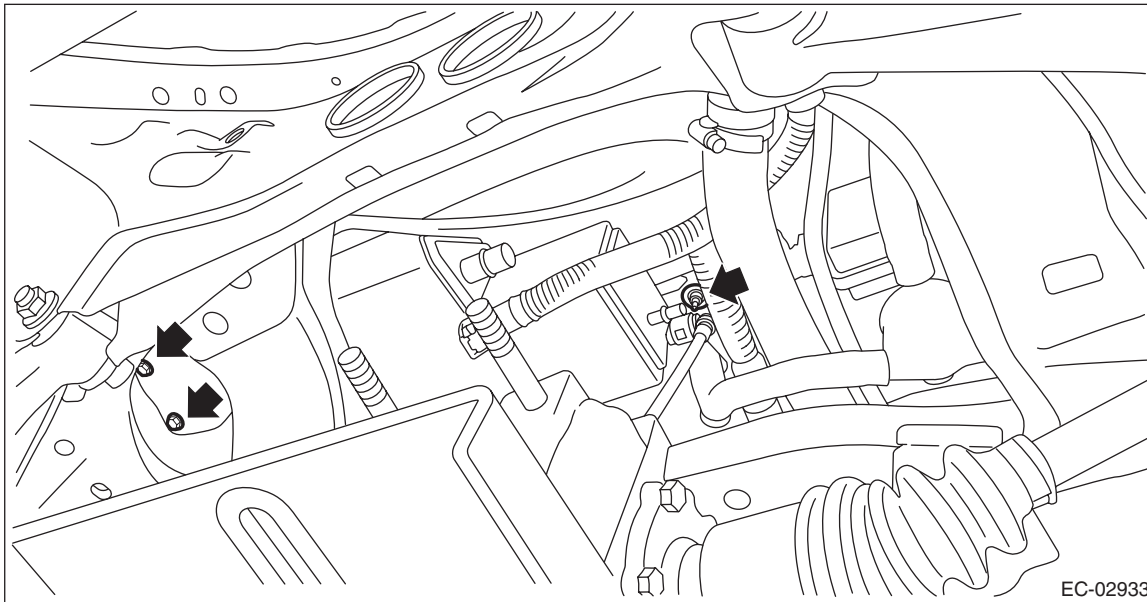
(b) Purge tube



Canister

EMISSION CONTROL (AUX. EMISSION CONTROL DEVICES)

9) Remove the bolts and nuts securing the canister to the vehicle, and remove the canister.

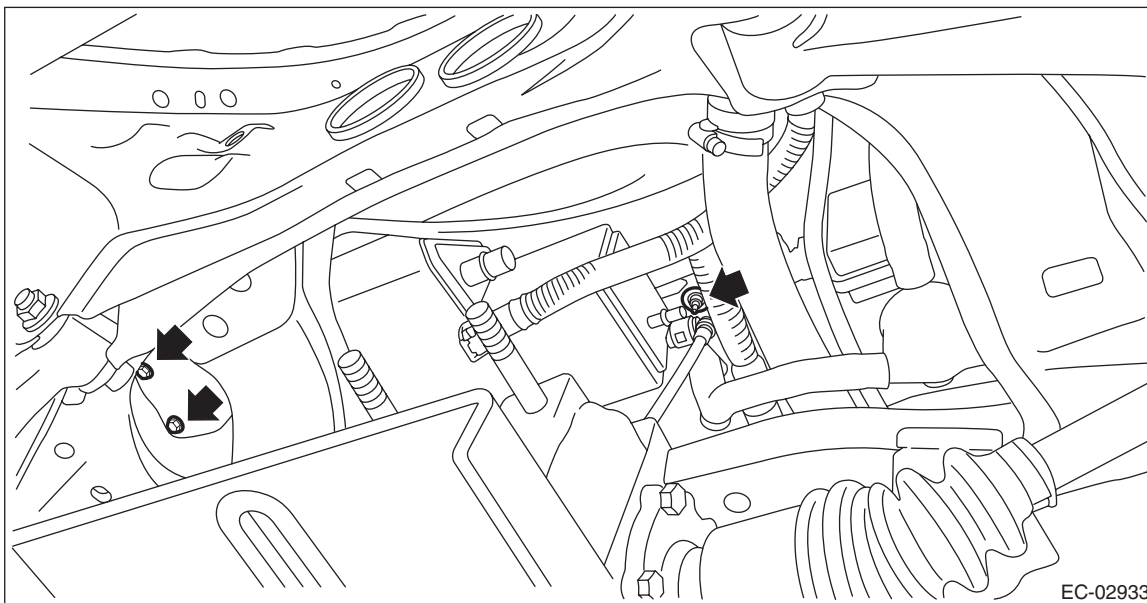


B: INSTALLATION

1) Install the canister to the vehicle using bolts and nuts.

Tightening torque:

7.5 N·m (0.8 kgf-m, 5.5 ft-lb)



Canister

EMISSION CONTROL (AUX. EMISSION CONTROL DEVICES)

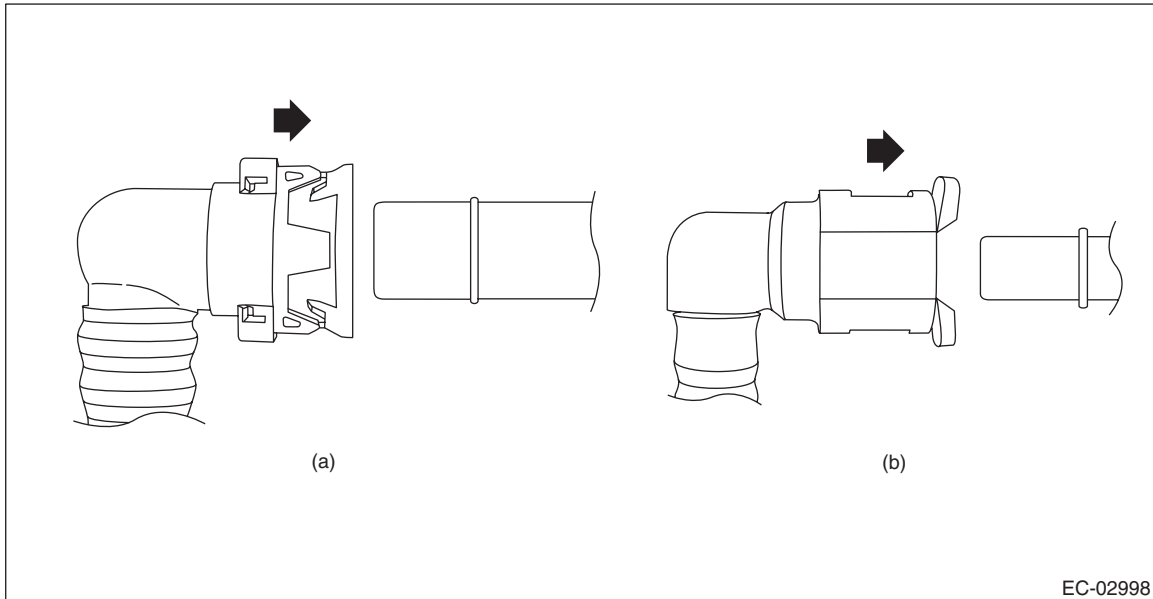
2) Install the drain tube (A), vent tube (B) and purge tube (C) to the canister.

CAUTION:

- Check that there is no damage or dust on the quick connector. If necessary, clean the seal surface of the pipe.
- Make sure that the quick connector is securely connected.

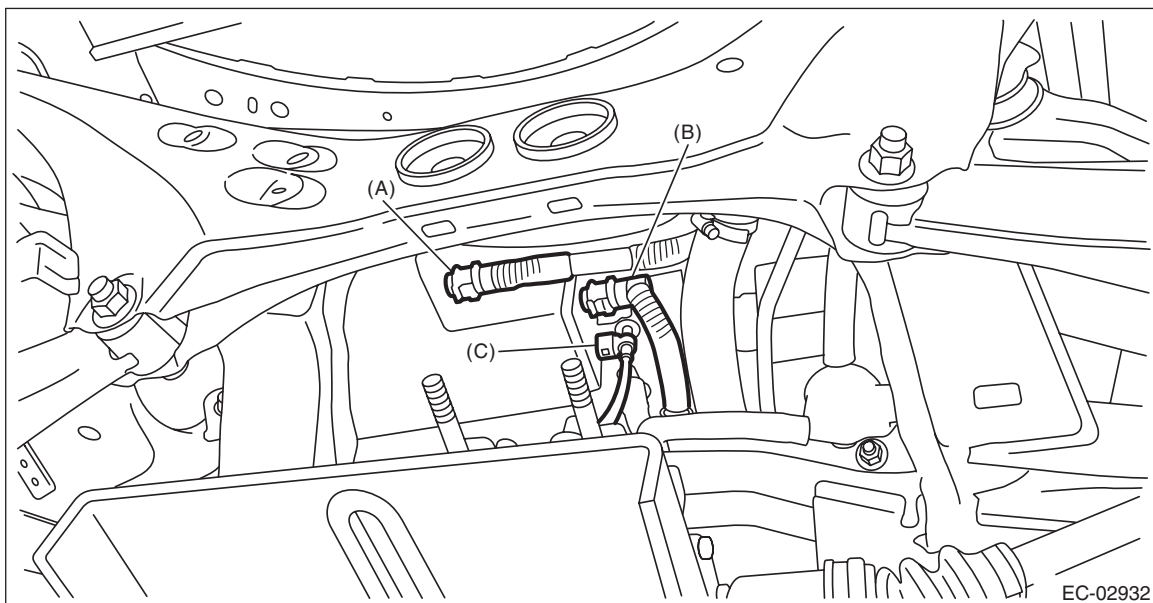
NOTE:

Install the quick connector as shown in the figure.



(a) Drain tube and vent tube

(b) Purge tube



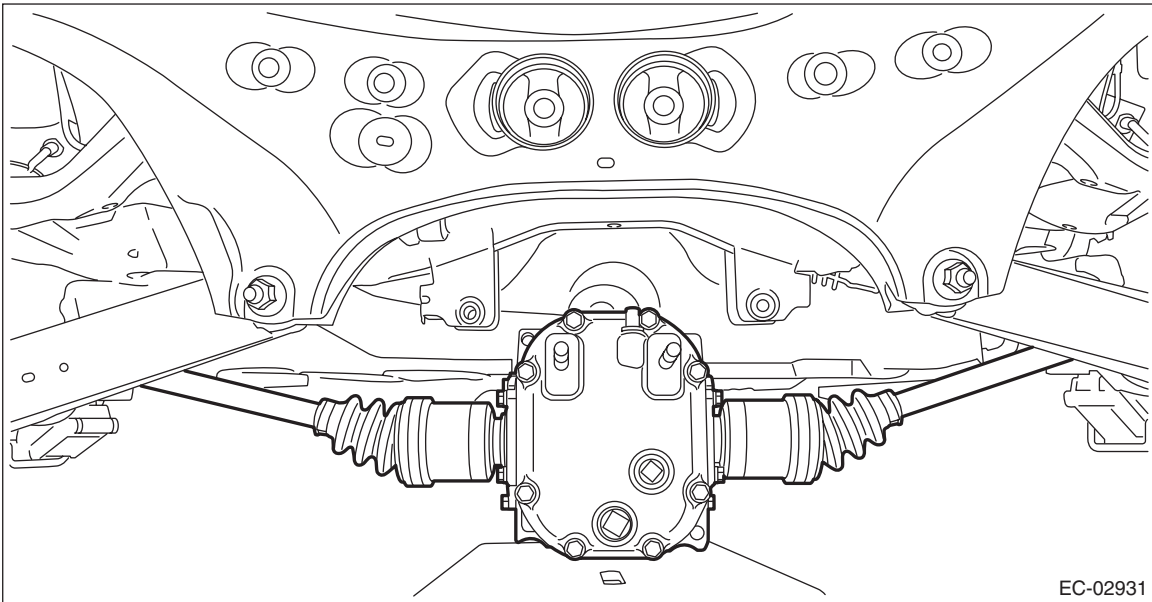
Canister

EMISSION CONTROL (AUX. EMISSION CONTROL DEVICES)

3) Raise the rear differential with transmission jack.

NOTE:

Be careful not to apply excessive force to the drive shaft.



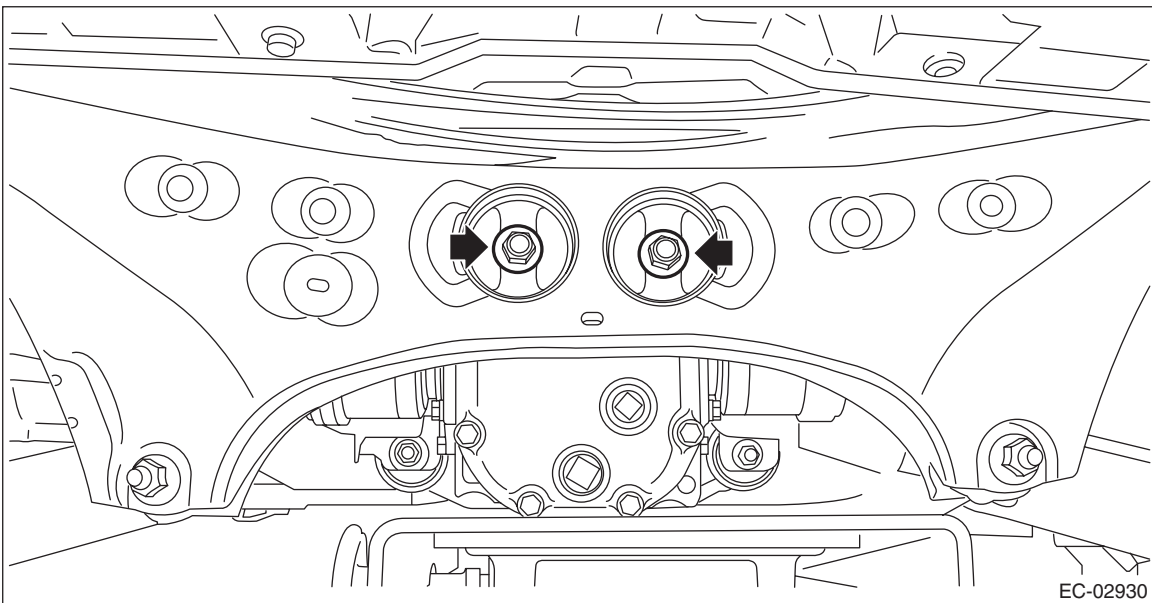
4) Install the rear differential to the rear crossmember.

NOTE:

Use a new self-locking nut.

Tightening torque:

70 N·m (7.1 kgf-m, 51.6 ft-lb)



Canister

EMISSION CONTROL (AUX. EMISSION CONTROL DEVICES)

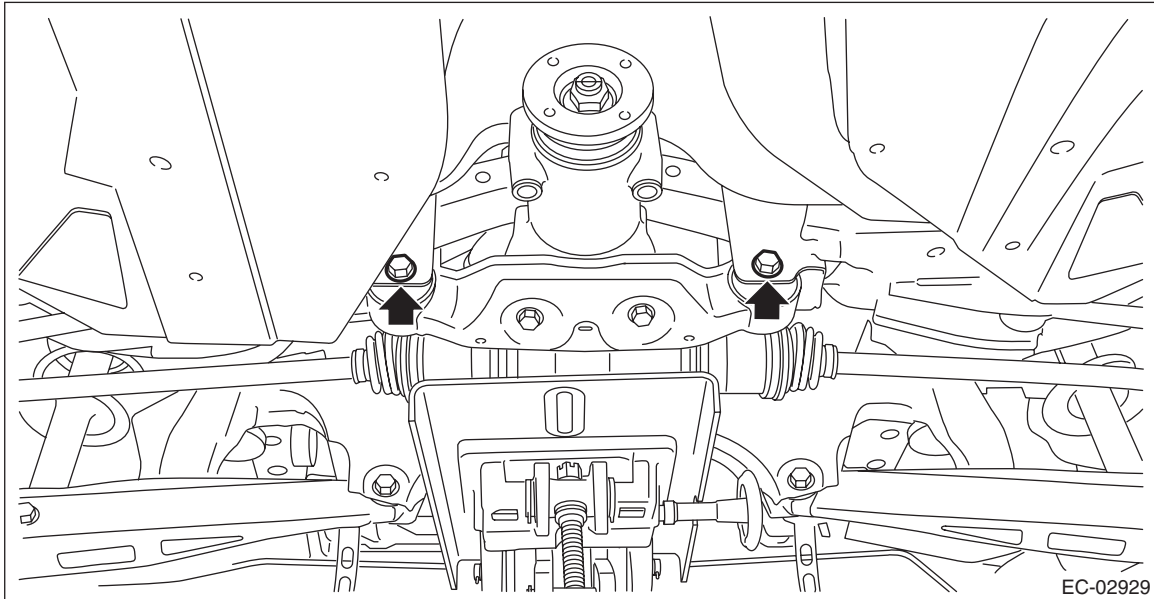
5) Install the rear differential front crossmember to the rear crossmember.

NOTE:

Use a new self-locking nut.

Tightening torque:

110 N·m (11.2 kgf-m, 81.1 ft-lb)

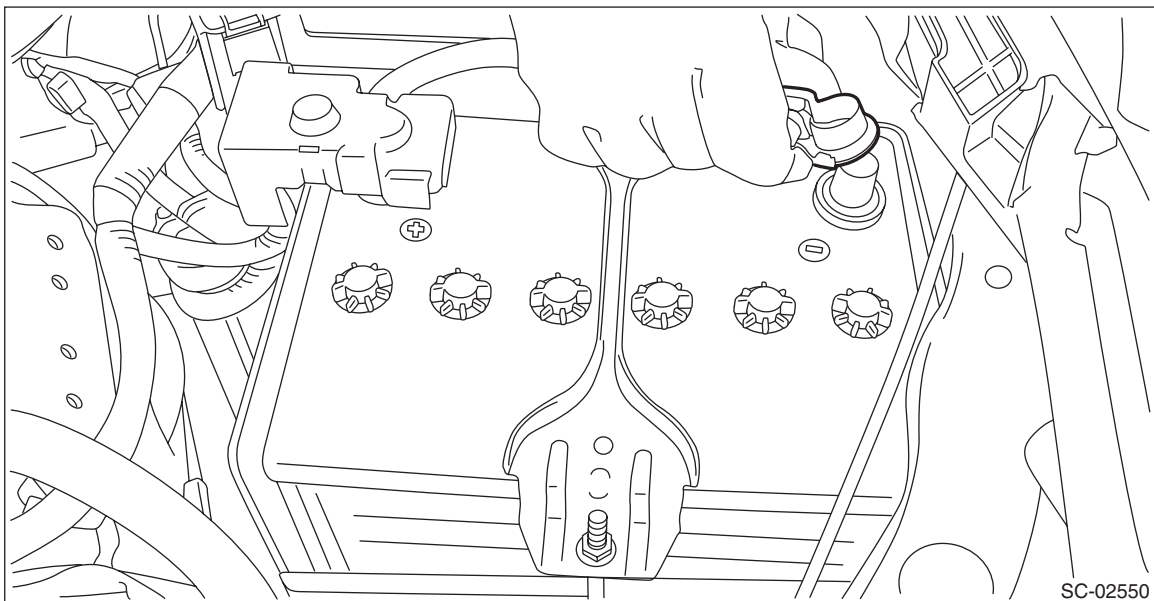


6) Remove the transmission jack from the rear differential.

7) Install the propeller shaft. <Ref. to DS-13, INSTALLATION, Propeller Shaft.>

8) Lower the vehicle.

9) Connect the battery ground terminal.



C: INSPECTION

- 1) Check that the canister has no deformation, cracks or other damages.
- 2) Check that the tube has no cracks, damage or loose part.