

26. Roof Trim

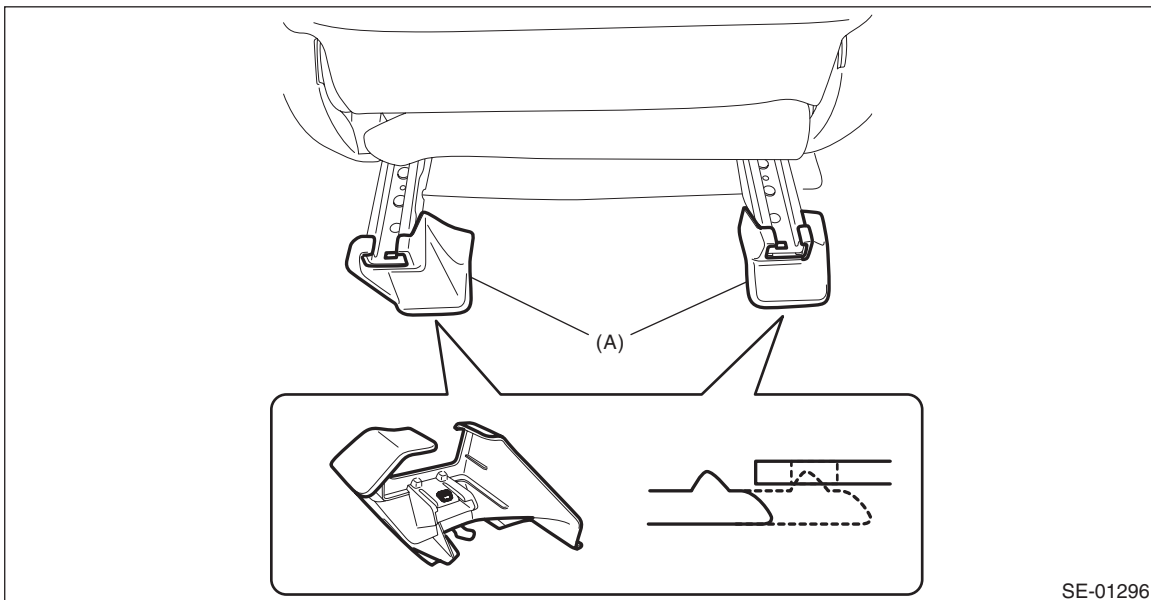
A: REMOVAL

1. 4 DOOR MODEL

CAUTION:

- Airbag system satellite safing sensor is located in the lower of the rear seat cushion center. Before removing the rear seat, refer to “CAUTION” of “General Description” in “AIRBAG SYSTEM” section. <Ref. to AB-11, CAUTION, General Description.>
- The airbag system is fitted with a backup power supply. After disconnecting the battery ground cable, the airbag may operate if you do not wait for 60 seconds before starting the service of airbag system.

- 1) Disconnect the ground cable from battery and wait for at least 60 seconds before starting work.
- 2) Remove the driver's seat.
 - (1) Tilt the backrest forward and move the seat to the front most position.
 - (2) Remove the rear bolt cover (A) and remove the two bolts.
 - (3) Move the seat to the rearmost position, and remove the front bolts.



SE-01296

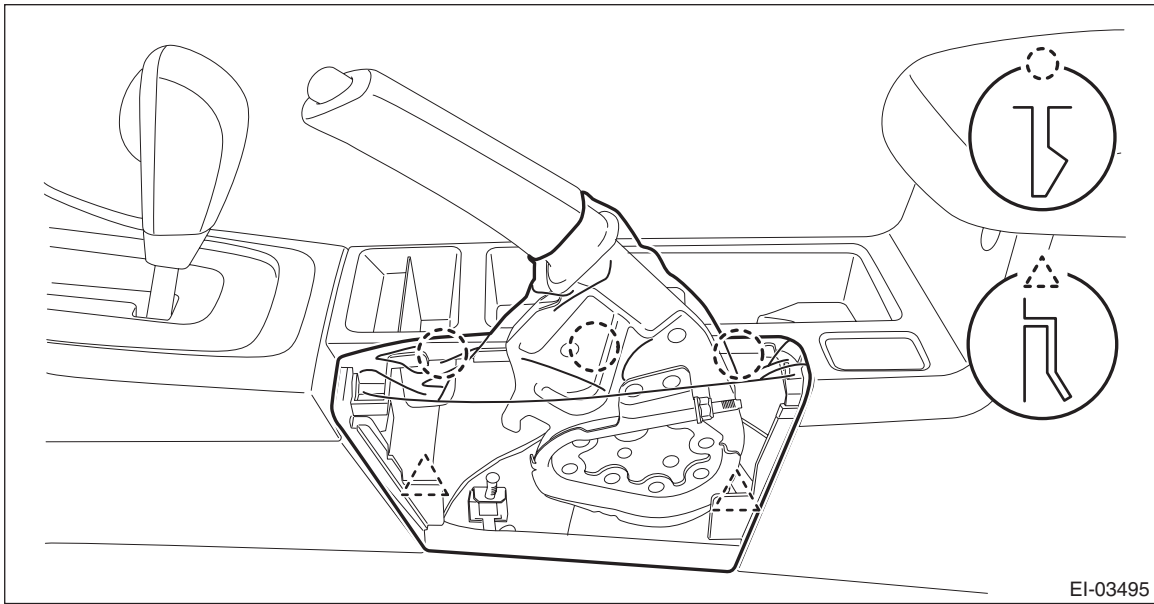
- (4) Disconnect the connector under the front seat.
 - Seat belt warning light connector (driver's seat)
 - Side airbag module connector <Ref. to AB-31, SIDE AIRBAG MODULE, PROCEDURE, Airbag Connector.>
 - Seat heater connector (model with seat heater)
- (5) Remove the headrest and take out the driver's seat from the vehicle.
- 3) Adjust the passenger's seat position.
 - (1) Remove the headrest.
 - (2) Move the passenger's seat to the front-most position and tilt the backrest rearward.

Roof Trim

EXTERIOR/INTERIOR TRIM

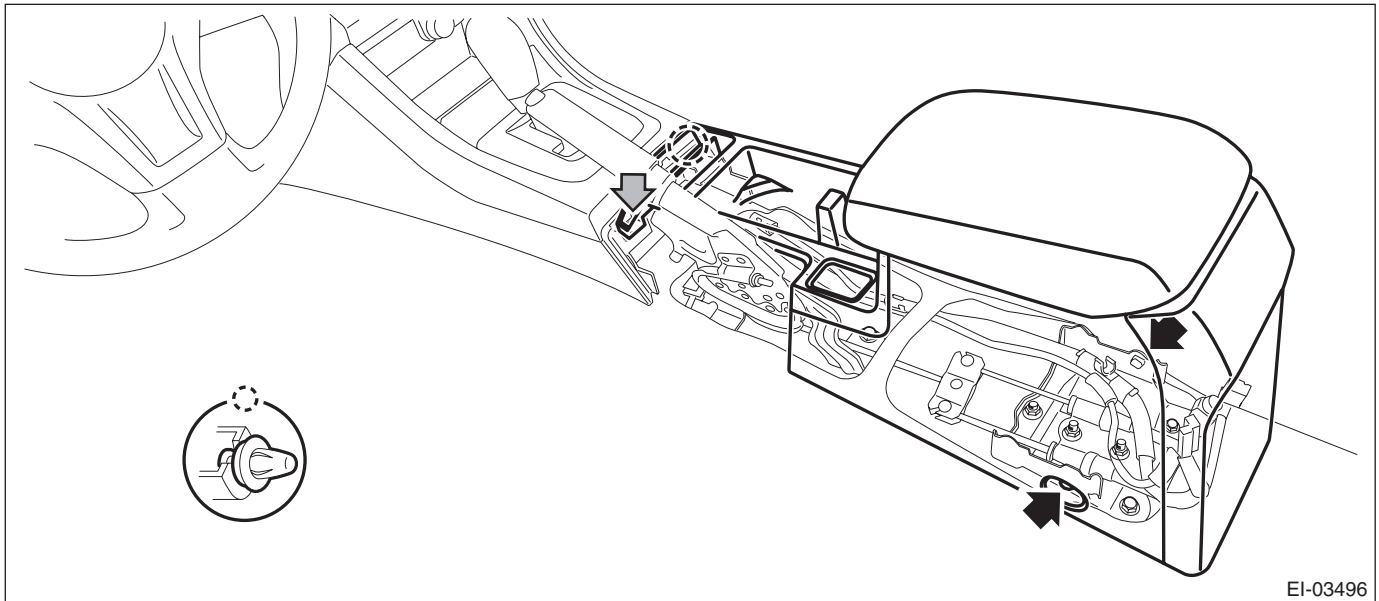
4) Remove the console box assembly.

(1) Release the claws, and then remove the boot - hand brake.



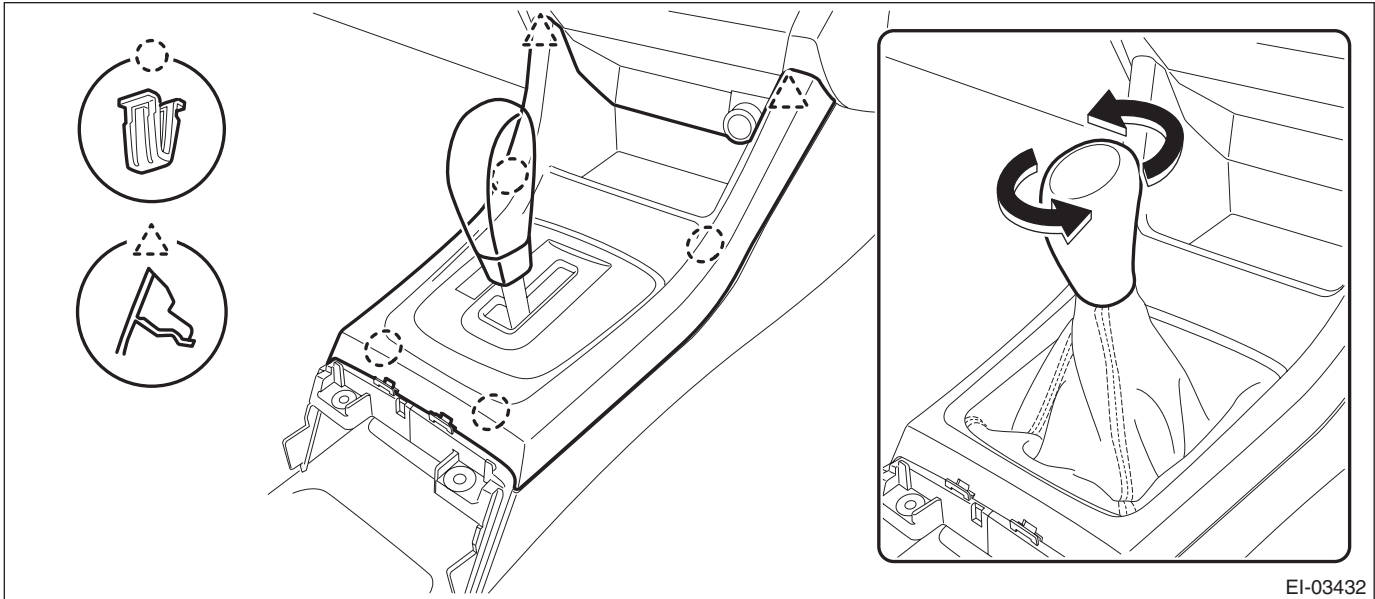
(2) Detach the left and right caps and remove the bolts.

(3) Remove the screws, disconnect the harness connector and remove the console box assembly.



5) Remove the cover - shift lever.

- (1) Remove the shift knob. (MT model)
- (2) Release the clips and claws, then pull up the cover - shift lever.



6) Cover the following areas to protect from damage.

- Steering wheel surface
- Instrument panel surface
- Glove box surface

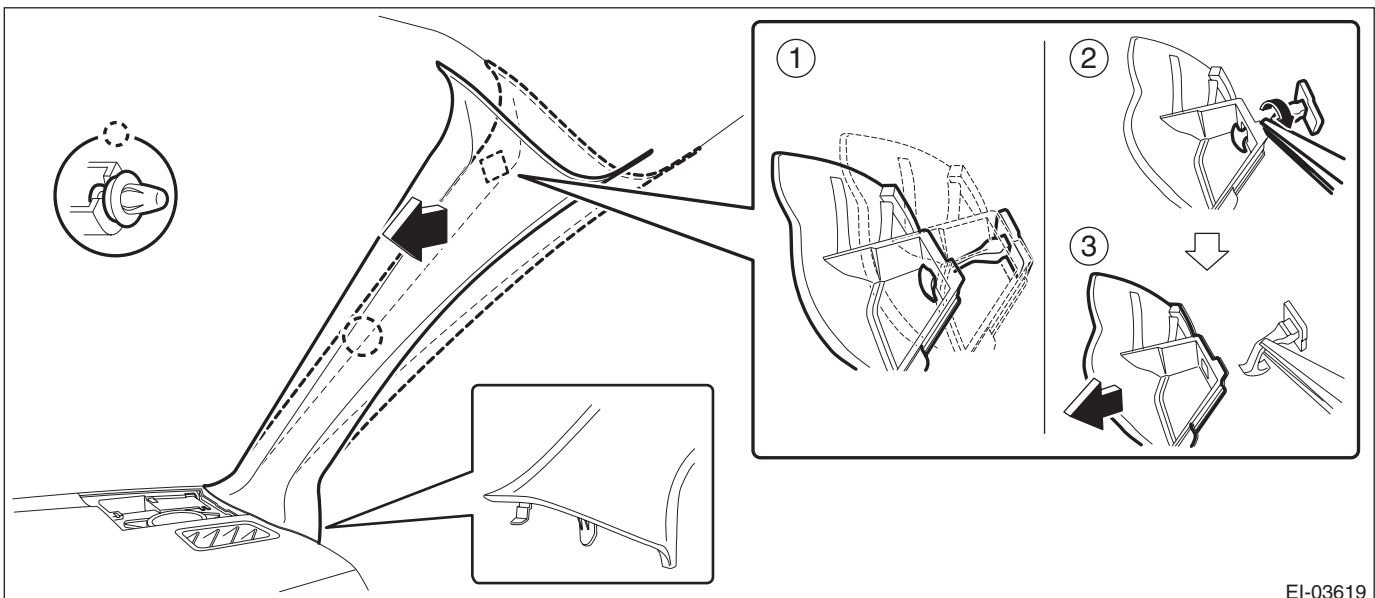
7) Remove the trim panel - front pillar UPR on the left and right sides.

- (1) Pull the upper part of the trim panel - front pillar UPR towards the center of the vehicle.
- (2) Insert long-nose pliers into the top part of the trim, grip the tether clip with the pliers and twist 90° in that position.

CAUTION:

Be careful not to damage the pillar trim surface and curtain airbag module when inserting the pliers.

- (3) Holding the tether clip twisted as in the previous step, remove the trim panel - front pillar UPR from the tether clip.
- (4) Remove the clips, and remove the trim panel - front pillar UPR.



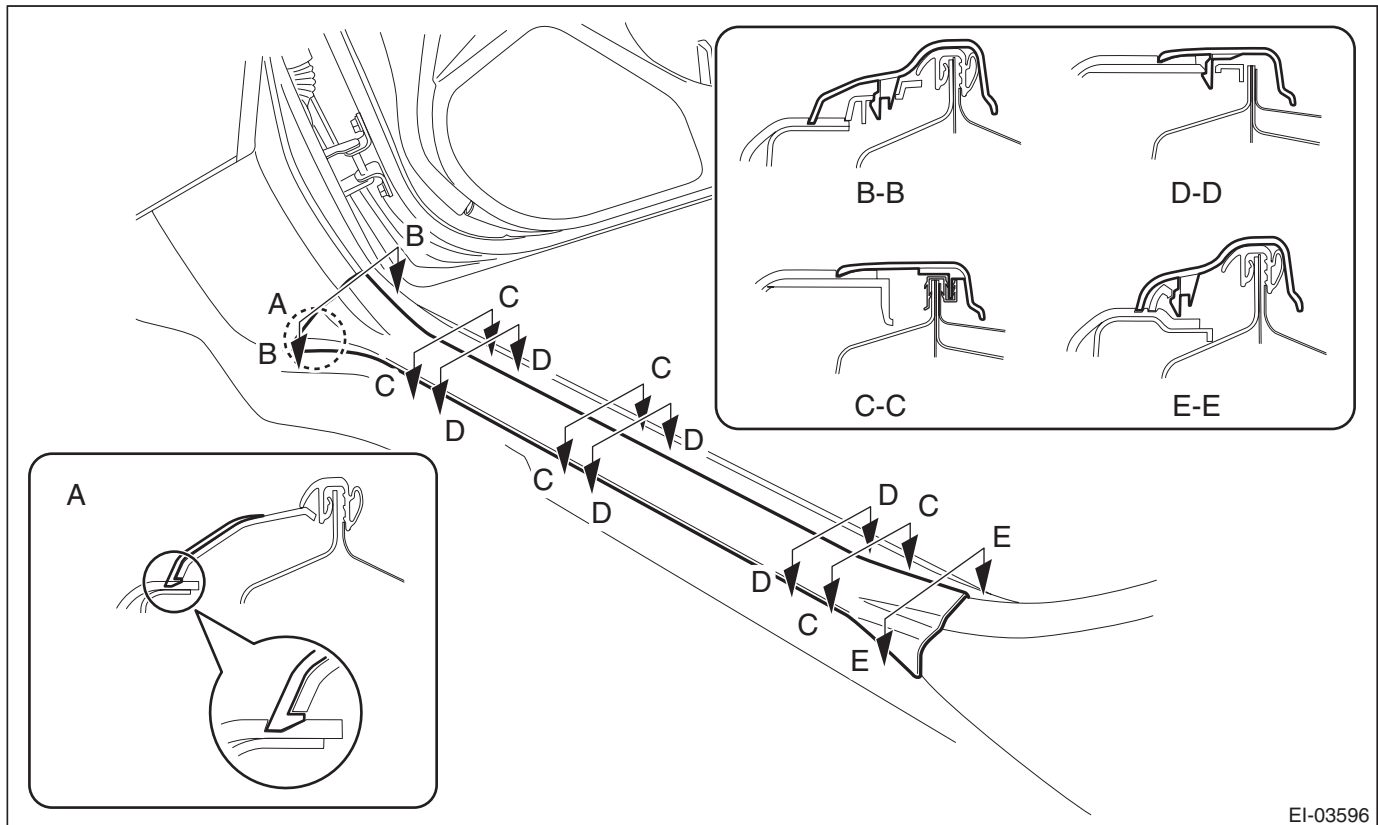
Roof Trim

EXTERIOR/INTERIOR TRIM

8) Release the claws, and then remove the cover side sill - front INN on LH and RH sides.

CAUTION:

Do not pull with excessive force. Doing so may damage the claws of the cover side sill - front INN.



9) Remove the rear seat cushion assembly.

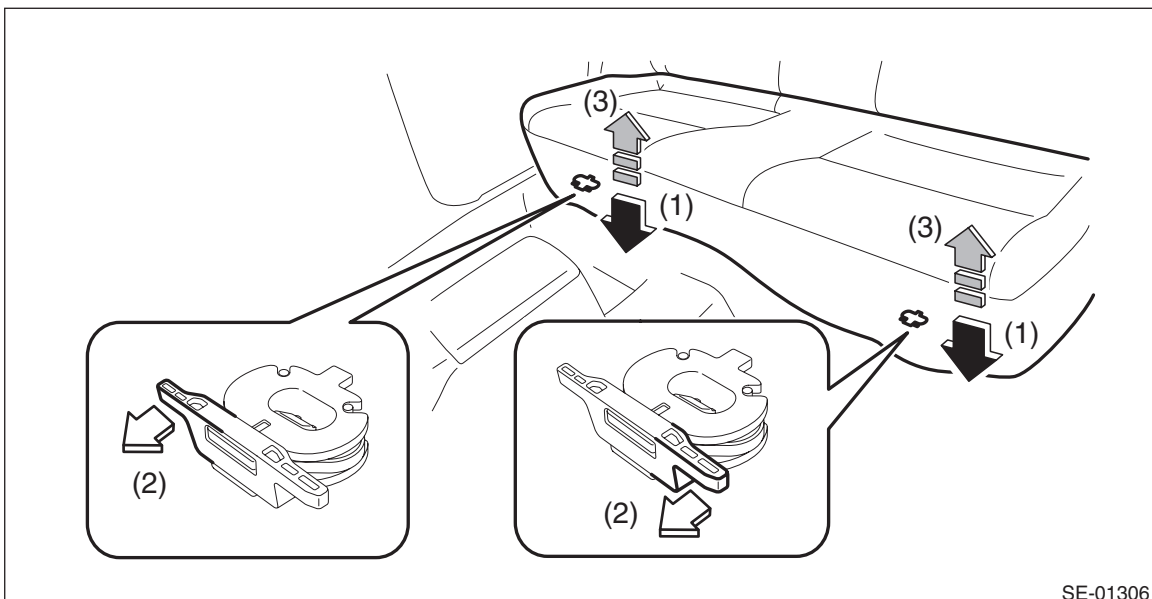
(1) Push the corners of the rear seat cushion from above.

(2) While pushing the corners of the rear seat cushion from above, pull the knob of the hook - seat cushion rear towards yourself.

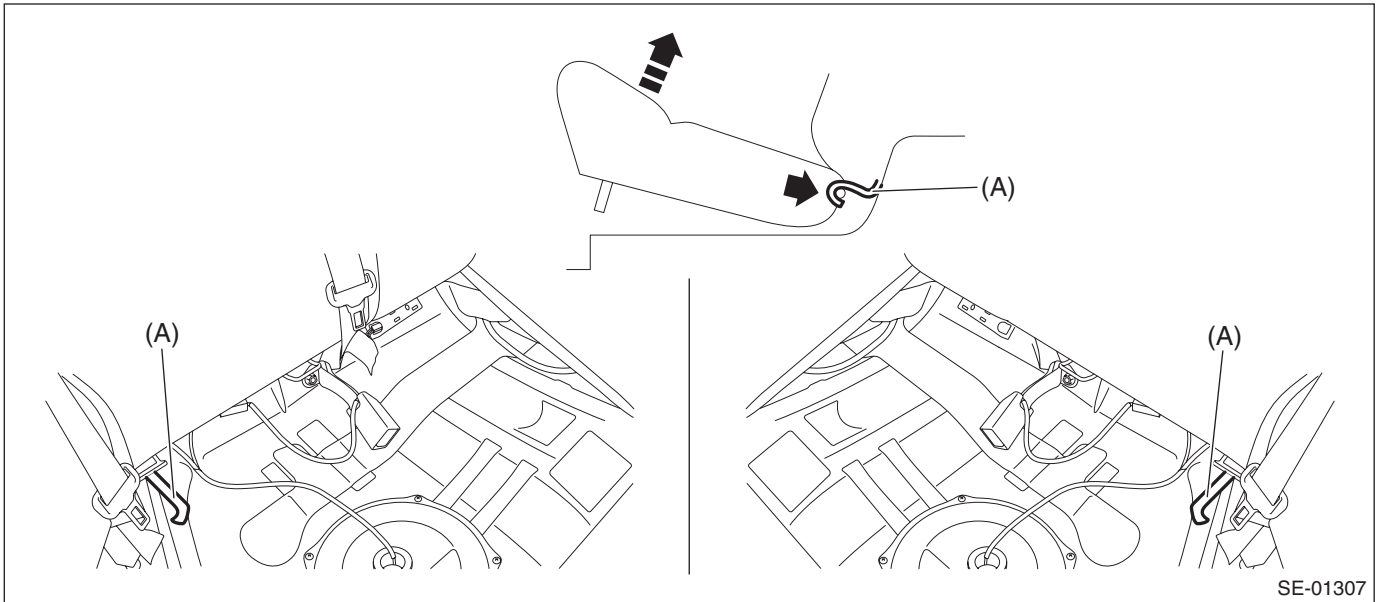
(3) While pulling the knob towards yourself, disconnect the hooks by lifting up the rear seat cushion.

NOTE:

Pull the left side of the knob to disconnect the LH side hook, and pull the right side of the knob to disconnect the RH side hook.



(4) Remove the hook (A) by pushing it back while lifting the front side of the rear seat cushion, and remove the rear seat cushion.

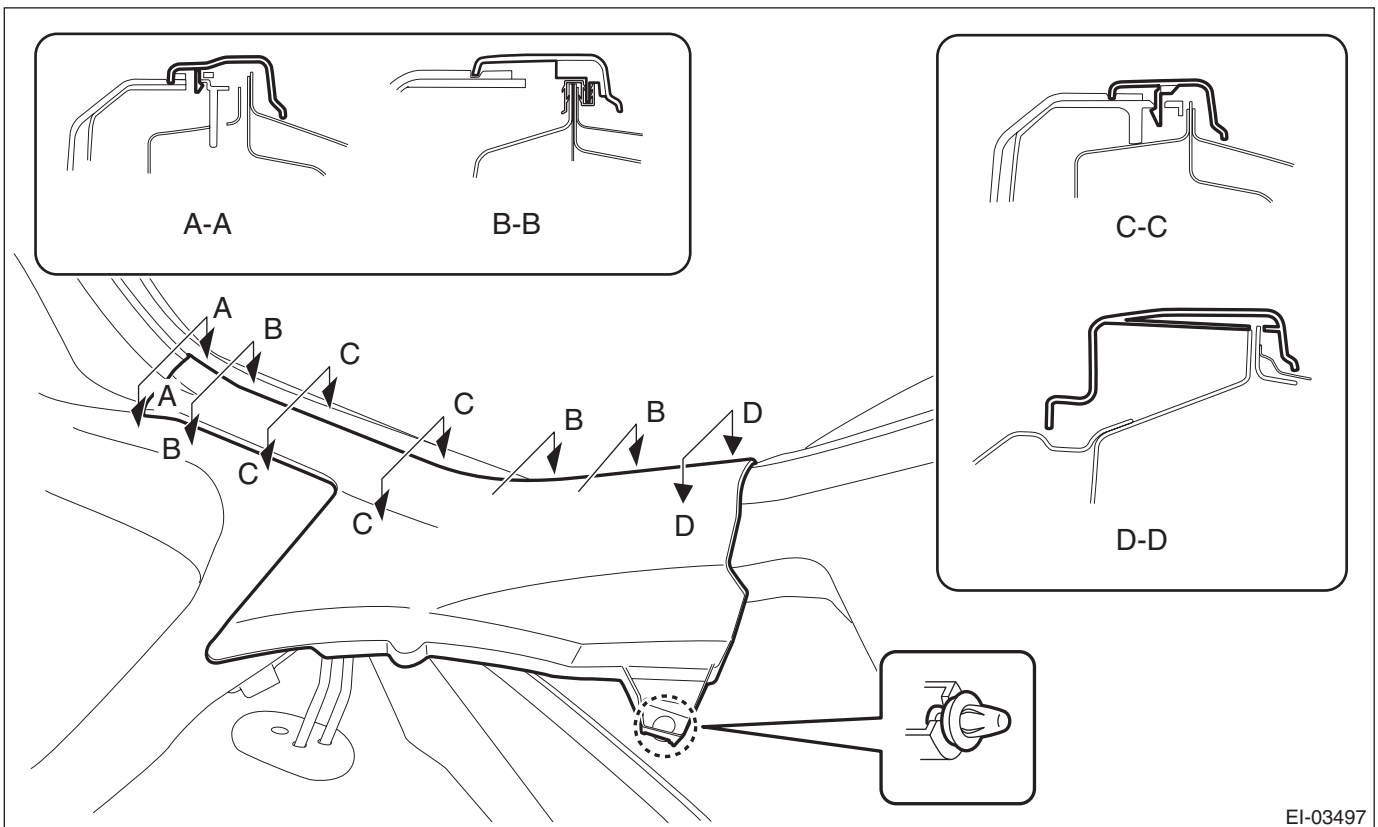


SE-01307

10) Release the clips and claws, and remove the cover side sill - rear INN on LH and RH sides.

CAUTION:

Do not pull with excessive force. Doing so may damage the claws of the cover side sill - rear INN.



EI-03497

Roof Trim

EXTERIOR/INTERIOR TRIM

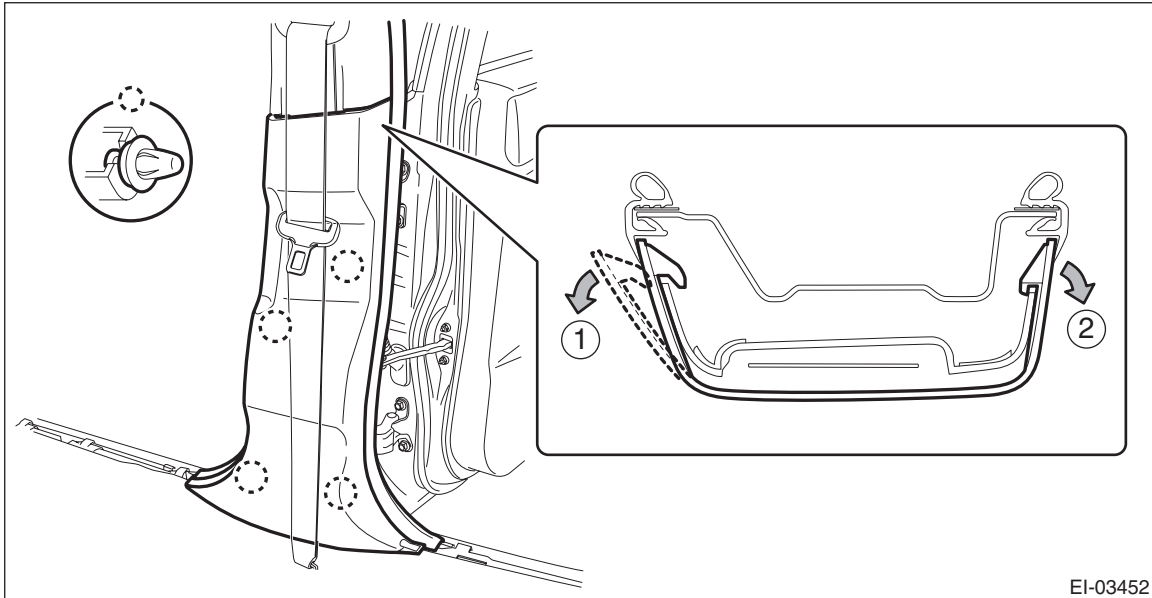
11) Remove the trim panel - center pillar LWR on the left and right sides.

(1) Release the clip by pulling the trim panel - center pillar LWR toward you.

(2) Expand the claws of the trim panel - center pillar LWR outward, and remove it from the trim panel - center pillar UPR.

CAUTION:

Do not expand the trim panel - center pillar LWR excessively. Doing so may damage the trim.



EI-03452

NOTE:

First release the claw located to the front of the vehicle.

12) Remove the trim panel - center pillar UPR on the left and right sides.

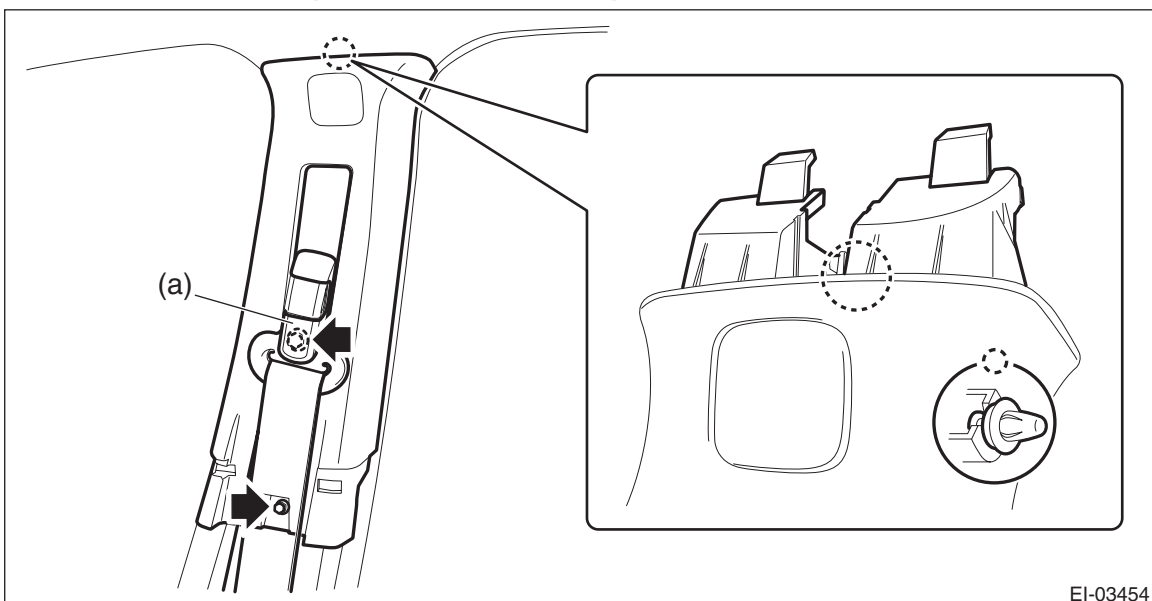
(1) Remove the cover through (a), and remove the seat belt anchor bolt.

(2) Remove the bolt on the lower side of the trim panel - center pillar UPR.

(3) Remove the clip by pulling the upper part of the trim toward you, and while lowering the entire trim, remove the trim panel - center pillar UPR.

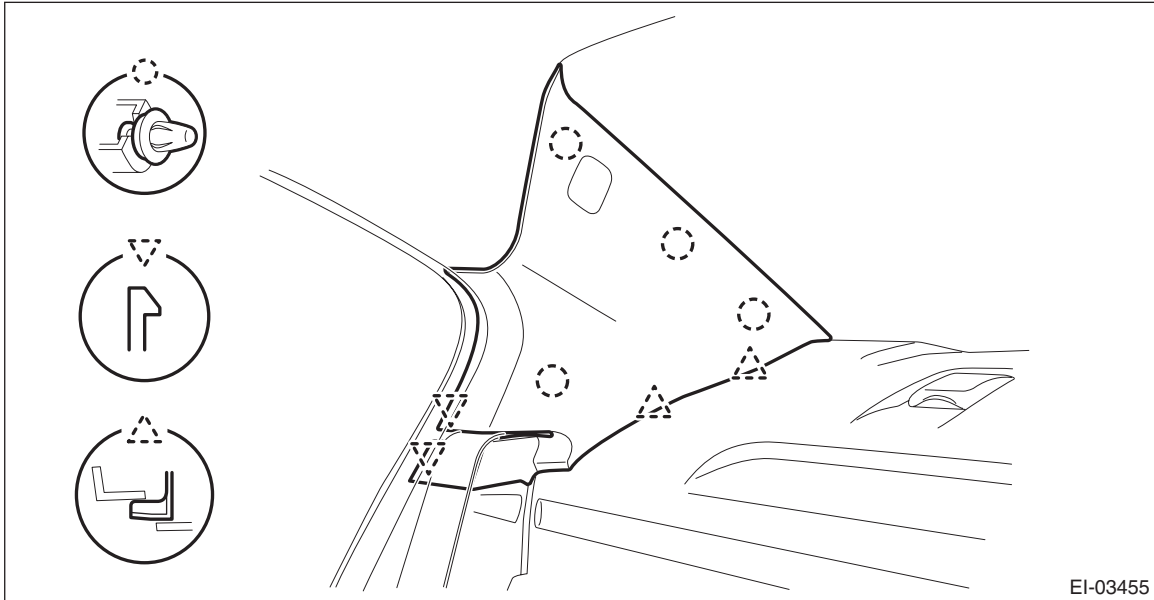
CAUTION:

Do not reuse the upper clips of the trim panel - center pillar UPR. Once the clip is removed, its holding force is reduced. Be sure to replace it with a new clip.



EI-03454

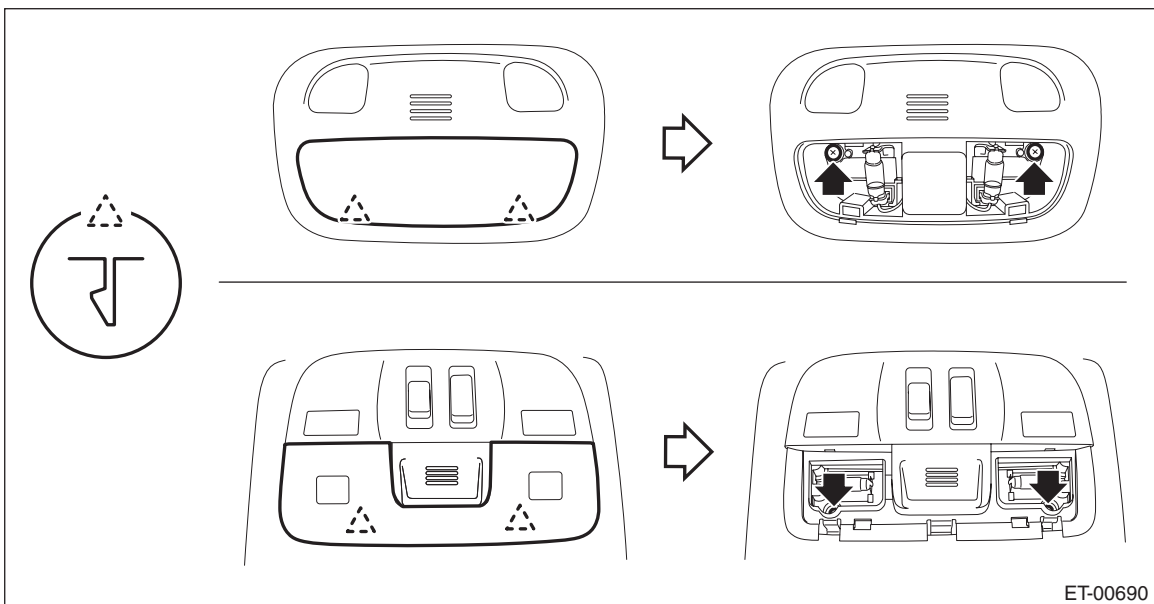
13) Remove the clips, and remove the trim panel - rear pillar UPR on the left and right sides.



14) Remove the light assembly - map.

(1) Remove the lens and detach the screws.

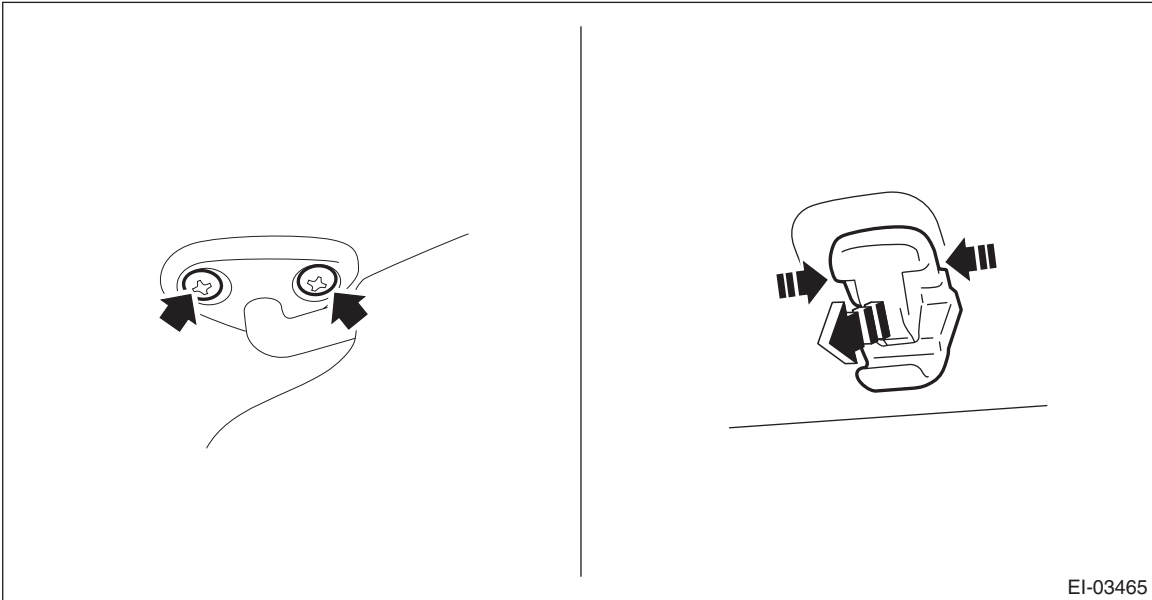
(2) Disconnect the connector and remove the light assembly - map.



Roof Trim

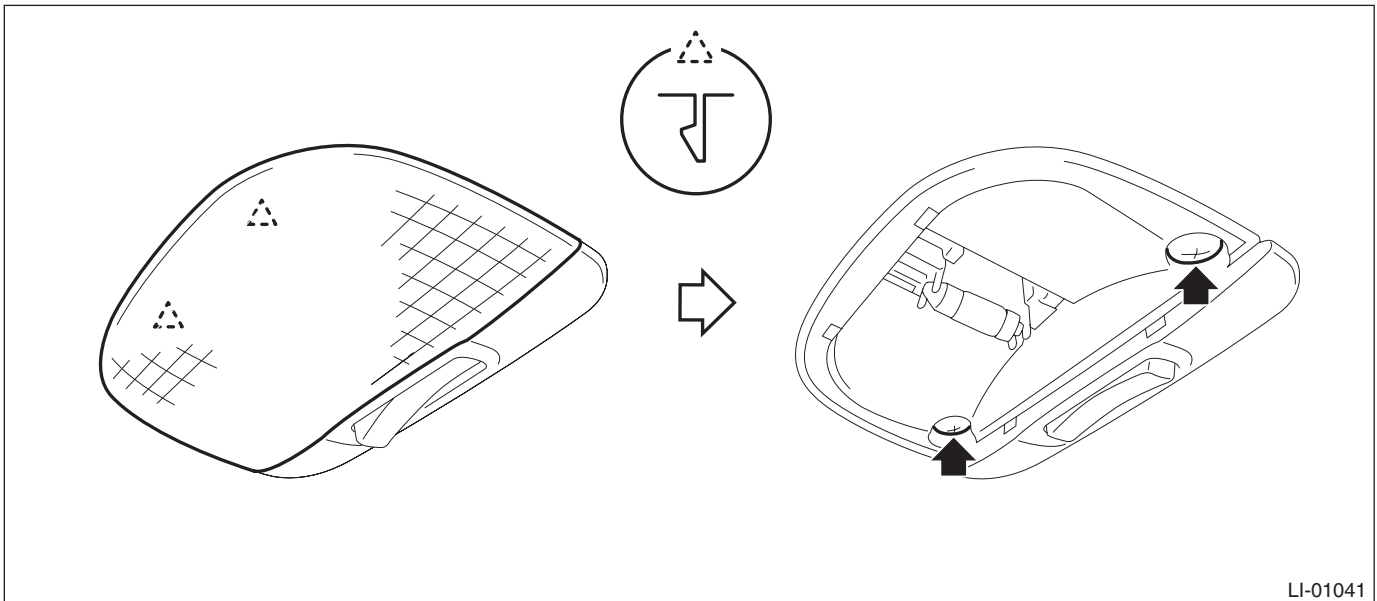
EXTERIOR/INTERIOR TRIM

- 15) Remove the left and right sun visor assembly.
- (1) Remove the screws and remove the sun visor assembly.
 - (2) Press both sides of the hook - sun visor using a flat tip screwdriver.
 - (3) Remove the hook - sun visor by pulling it toward you.



EI-03465

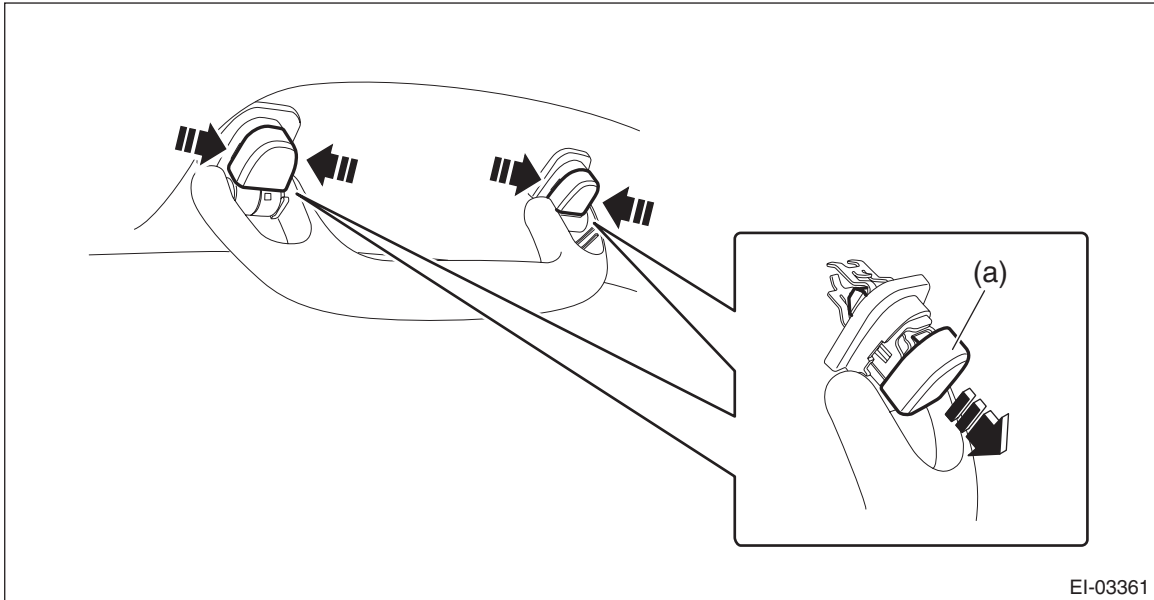
- 16) Remove the light assembly - room.
- (1) Remove the lens and detach the screws.
 - (2) Disconnect the connector and remove the light assembly - room.



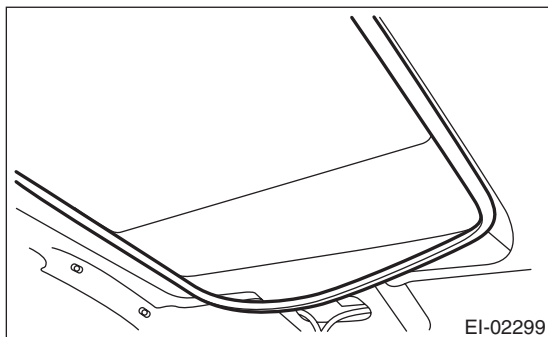
LI-01041

17) Remove all assist rails.

- (1) Remove the cap (a) by pulling the both sides of the cap (a) using a flat tip screwdriver wrapped with a protection tape.
- (2) Pull the assist grip toward you (to the vehicle center) and remove the metal clip from the bracket.



18) Remove the garnish - roof. (Model with sunroof)

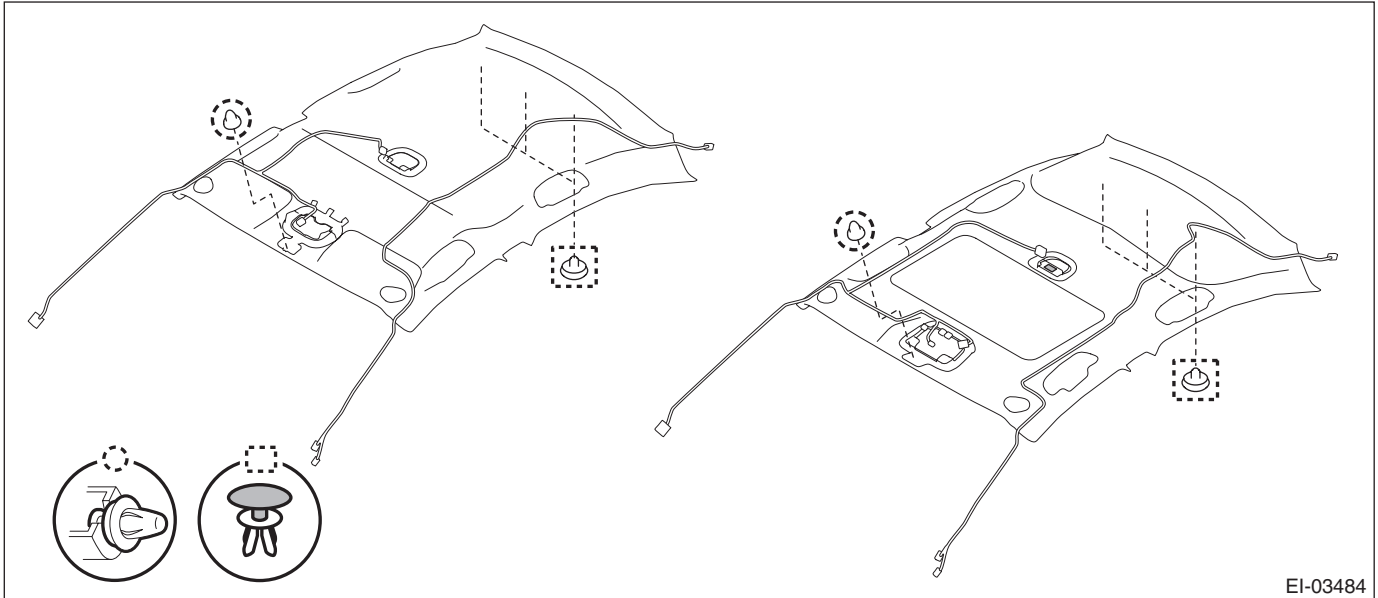


Roof Trim

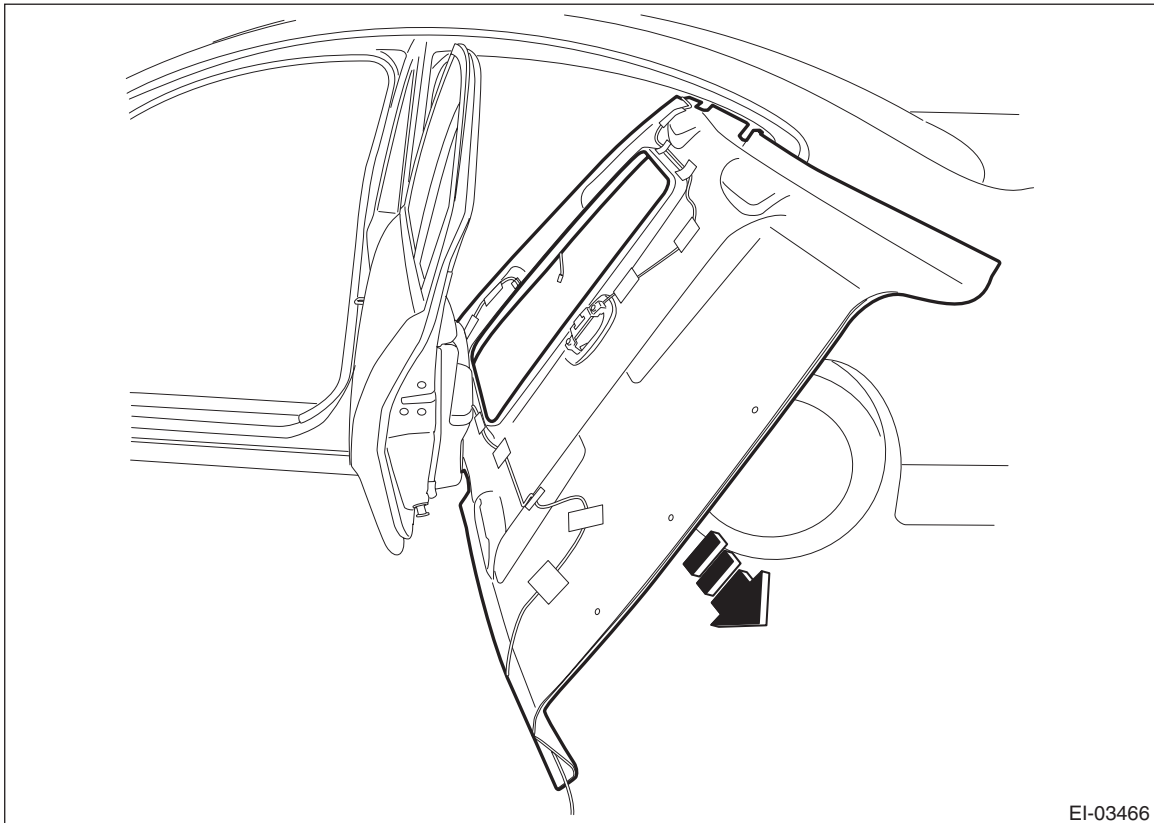
EXTERIOR/INTERIOR TRIM

19) Remove the trim panel - roof assembly.

- (1) Remove the harness clamp of the cord assembly - antenna feeder and the cord - roof, and disconnect the connectors.
- (2) Remove the clips and the Velcro tape behind the room light.
- (3) Remove the weather strip - body side flange from the front/rear and left/right doors, and remove the trim panel - roof assembly.



(4) Take out the trim panel - roof assembly from the vehicle.



2. 5 DOOR MODEL/XV MODEL

CAUTION:

- Airbag system satellite safing sensor is located in the lower of the rear seat cushion center. Before removing the rear seat, refer to “CAUTION” of “General Description” in “AIRBAG SYSTEM” section. <Ref. to AB-11, CAUTION, General Description.>

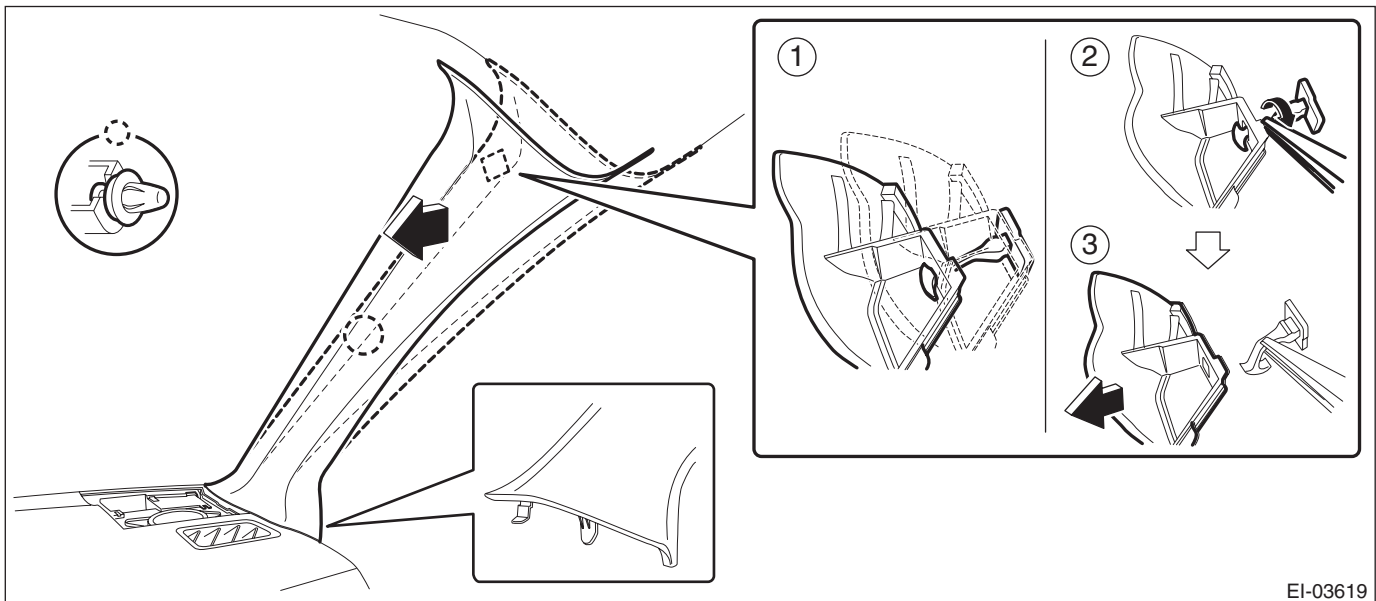
- The airbag system is fitted with a backup power supply. After disconnecting the battery ground cable, the airbag may operate if you do not wait for 60 seconds before starting the service of airbag system.

- 1) Disconnect the ground cable from battery and wait for at least 60 seconds before starting work.
- 2) Adjust the front seat position.
 - (1) Remove the headrest.
 - (2) Move the seat to the front-most position and tilt the backrest rearward.
- 3) Remove the trim panel - front pillar UPR on the left and right sides.
 - (1) Pull the upper part of the trim panel - front pillar UPR towards the center of the vehicle.
 - (2) Insert long-nose pliers into the top part of the trim, grip the tether clip with the pliers and twist 90° in that position.

CAUTION:

Be careful not to damage the pillar trim surface and curtain airbag module when inserting the pliers.

- (3) Holding the tether clip twisted as in the previous step, remove the trim panel - front pillar UPR from the tether clip.
- (4) Remove the clips, and remove the trim panel - front pillar UPR.



EI-03619

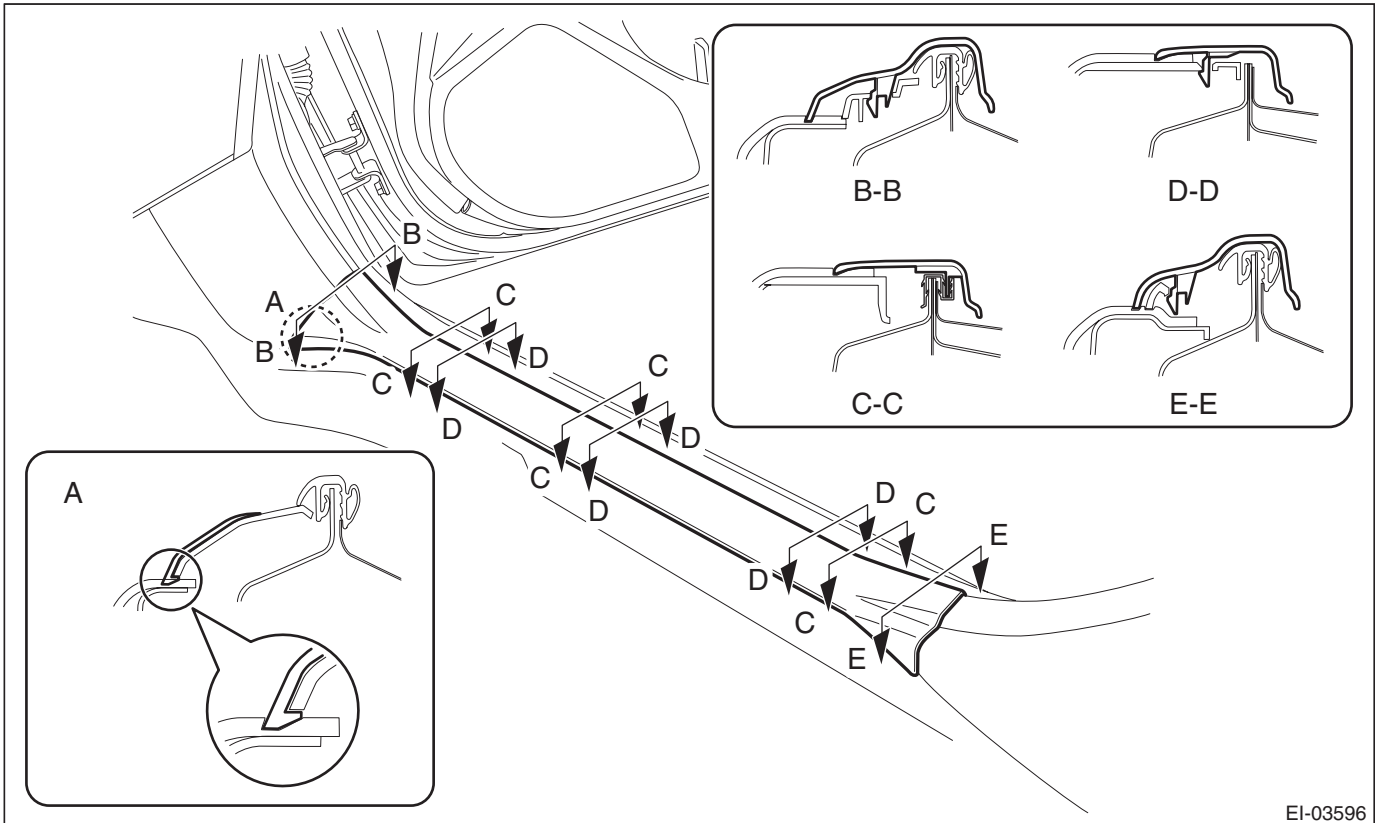
Roof Trim

EXTERIOR/INTERIOR TRIM

4) Release the claws, and then remove the cover side sill - front INN on LH and RH sides.

CAUTION:

Do not pull with excessive force. Doing so may damage the claws of the cover side sill - front INN.



EI-03596

5) Remove the rear seat cushion assembly.

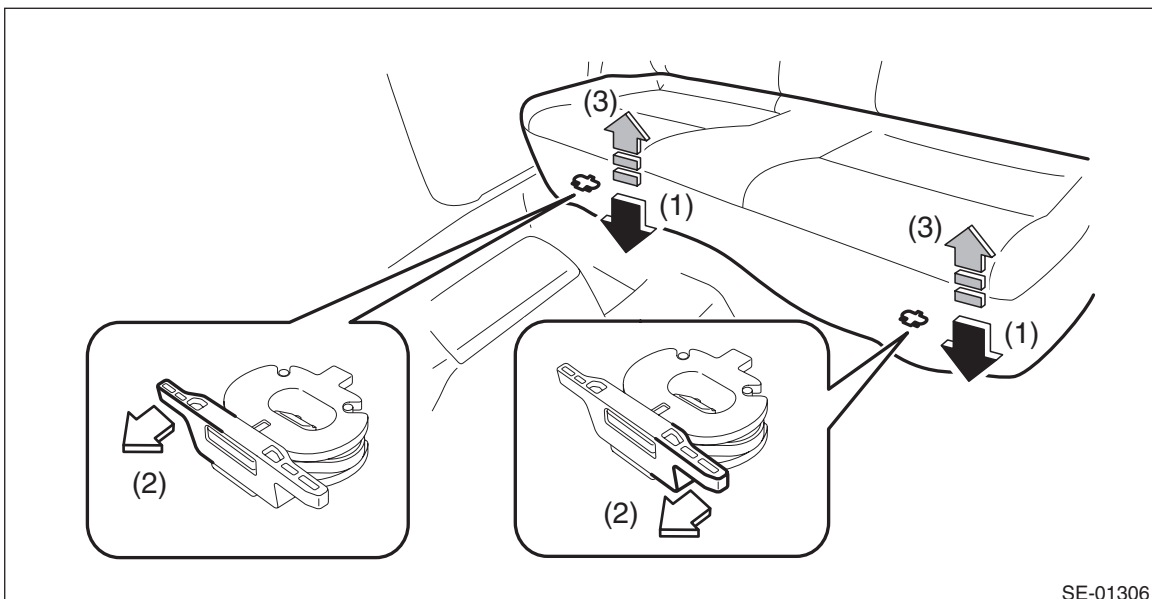
(1) Push the corners of the rear seat cushion from above.

(2) While pushing the corners of the rear seat cushion from above, pull the knob of the hook - seat cushion rear towards yourself.

(3) While pulling the knob towards yourself, disconnect the hooks by lifting up the rear seat cushion.

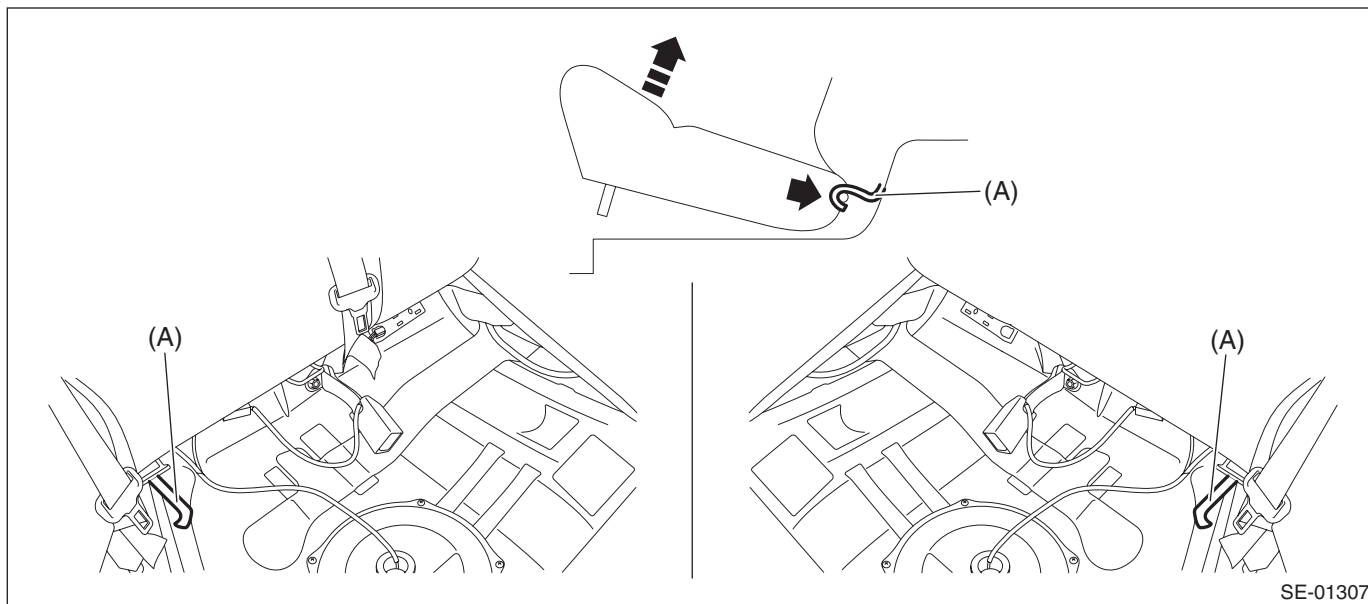
NOTE:

Pull the left side of the knob to disconnect the LH side hook, and pull the right side of the knob to disconnect the RH side hook.



SE-01306

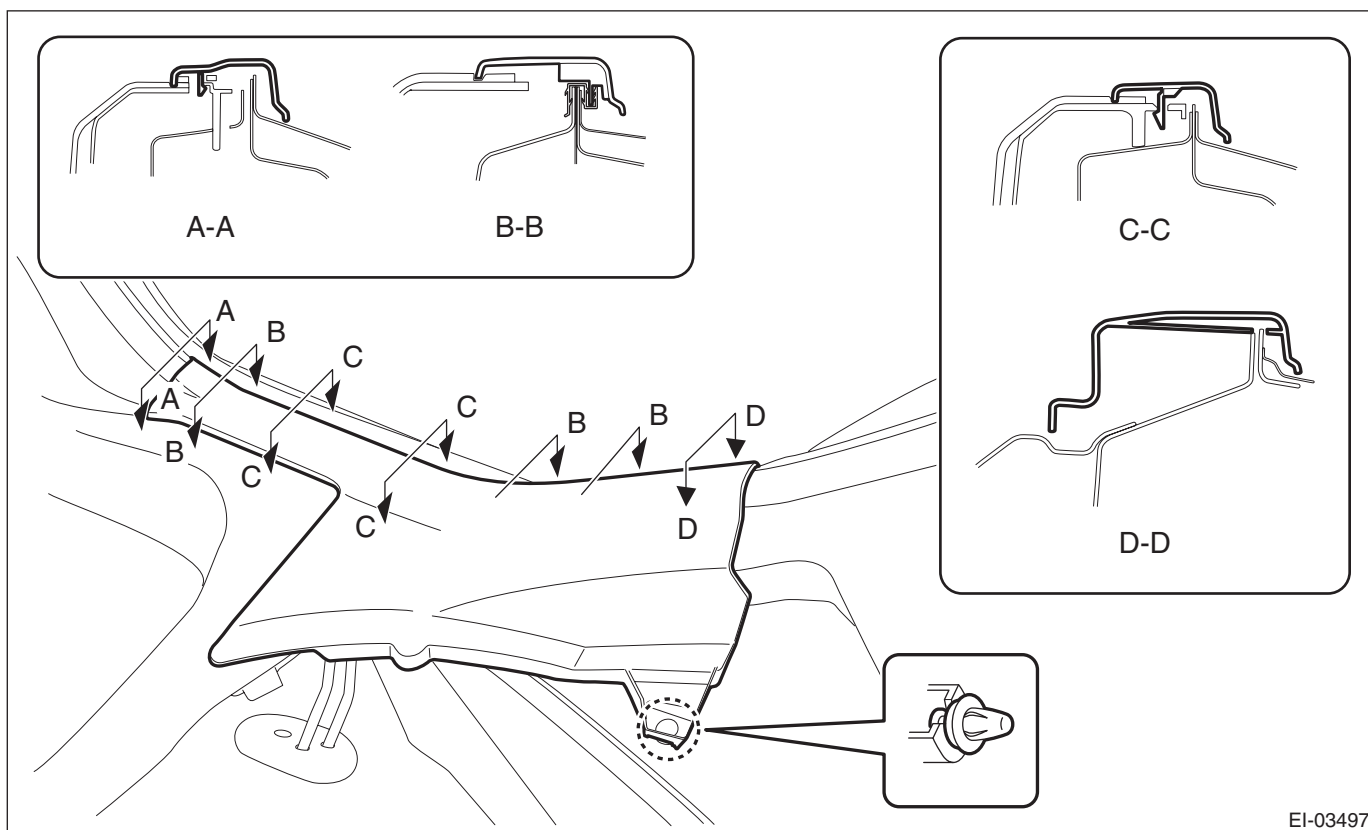
(4) Remove the hook (A) by pushing it back while lifting the front side of the rear seat cushion, and remove the rear seat cushion.



6) Release the clips and claws, and remove the cover side sill - rear INN on LH and RH sides.

CAUTION:

Do not pull with excessive force. Doing so may damage the claws of the cover side sill - rear INN.



Roof Trim

EXTERIOR/INTERIOR TRIM

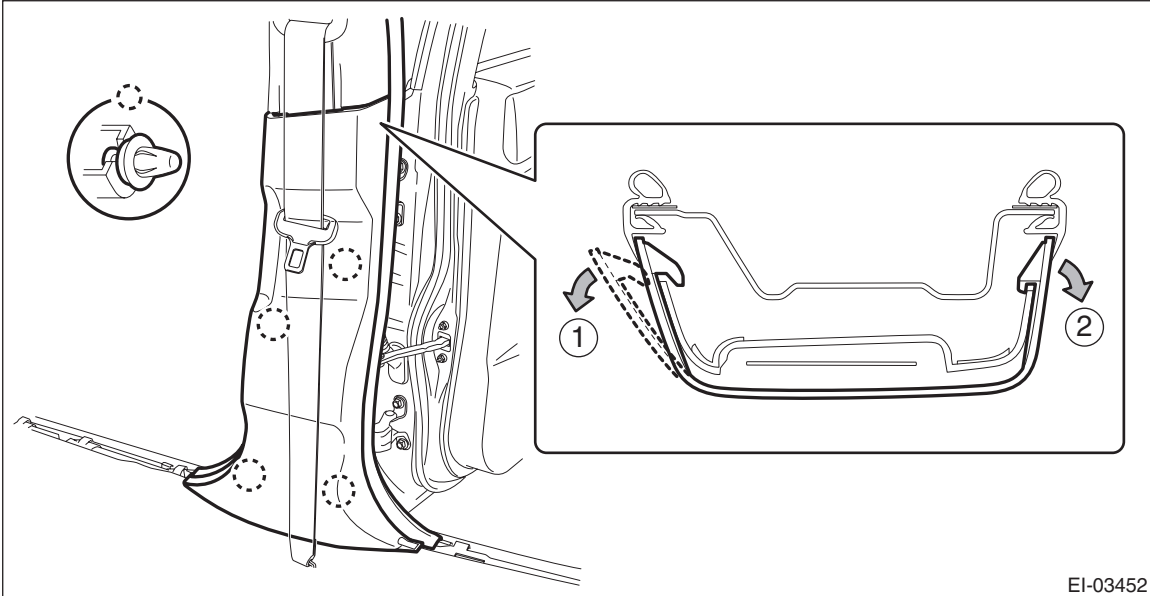
7) Remove the trim panel - center pillar LWR on the left and right sides.

(1) Release the clip by pulling the trim panel - center pillar LWR toward you.

(2) Expand the claws of the trim panel - center pillar LWR outward, and remove it from the trim panel - center pillar UPR.

CAUTION:

Do not expand the trim panel - center pillar LWR excessively. Doing so may damage the trim.



EI-03452

NOTE:

First release the claw located to the front of the vehicle.

8) Remove the trim panel - center pillar UPR on the left and right sides.

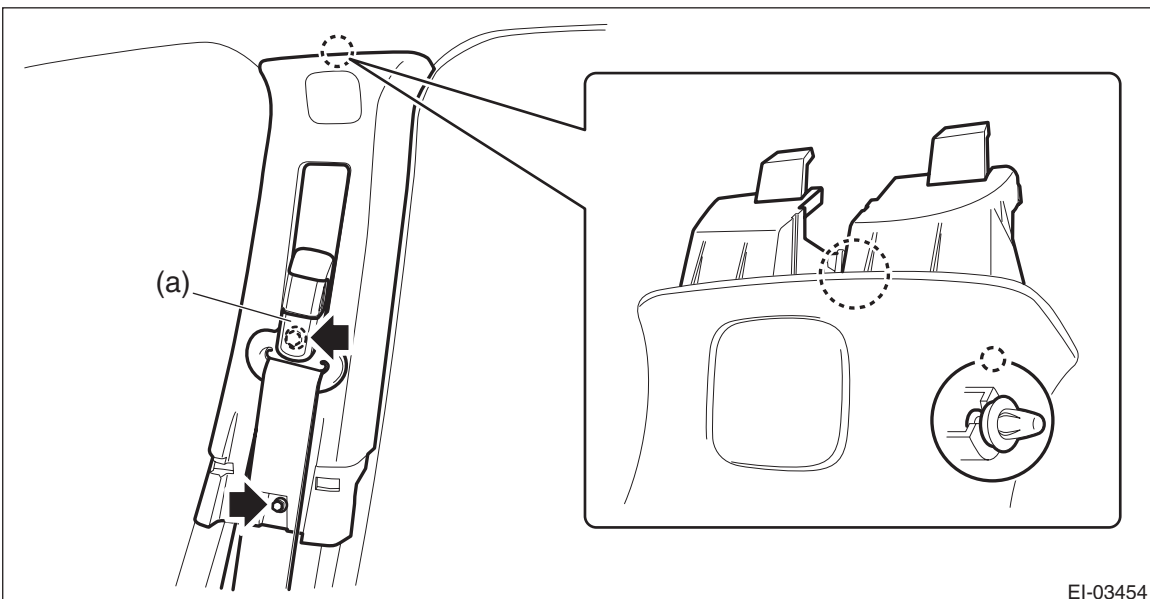
(1) Remove the cover through (a), and remove the seat belt anchor bolt.

(2) Remove the bolt on the lower side of the trim panel - center pillar UPR.

(3) Remove the clip by pulling the upper part of the trim toward you, and while lowering the entire trim, remove the trim panel - center pillar UPR.

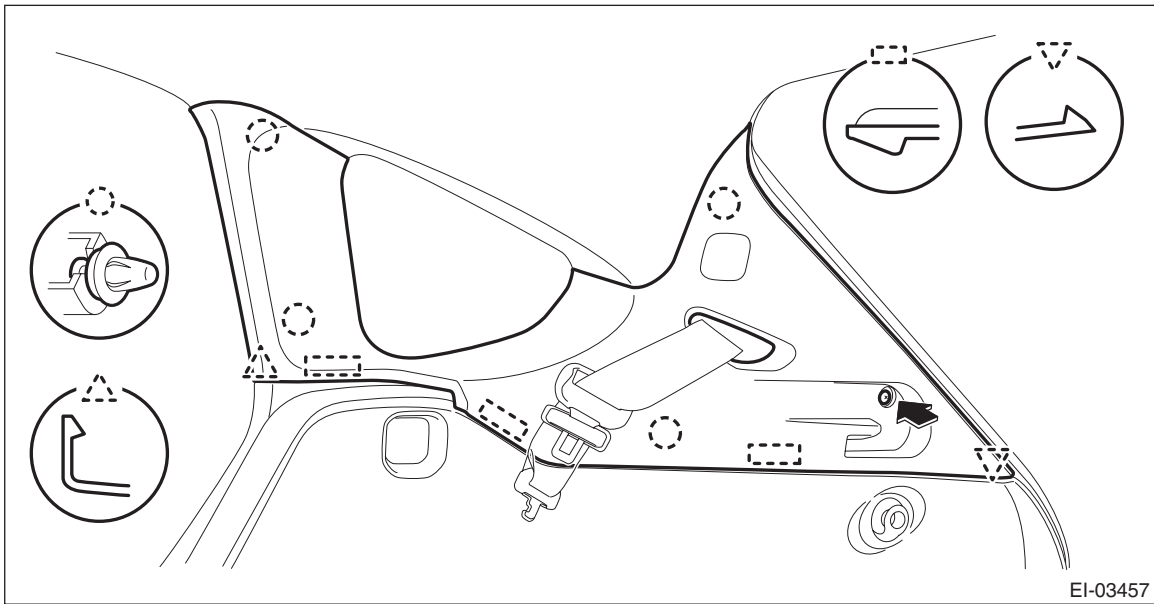
CAUTION:

Do not reuse the upper clips of the trim panel - center pillar UPR. Once the clip is removed, its holding force is reduced. Be sure to replace it with a new clip.



EI-03454

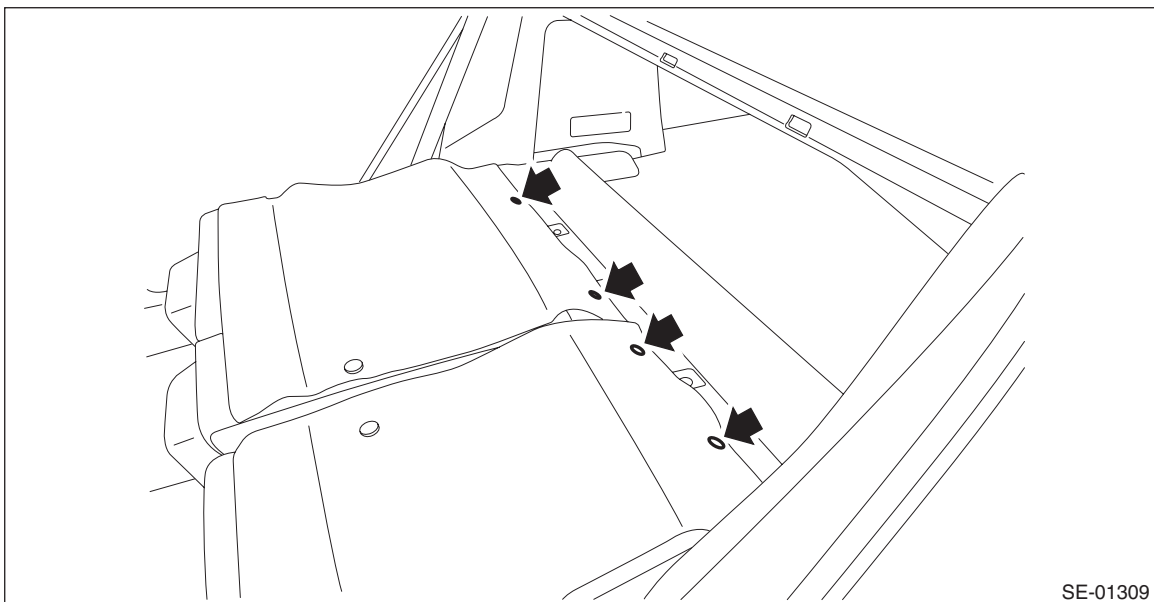
9) Remove the screws and clips, and remove the trim panel - rear quarter pillar UPR on the left and right sides.



10) Remove the backrest assembly.

(1) Remove the pillow assembly - rear backrest, and tilt the backrest forward.

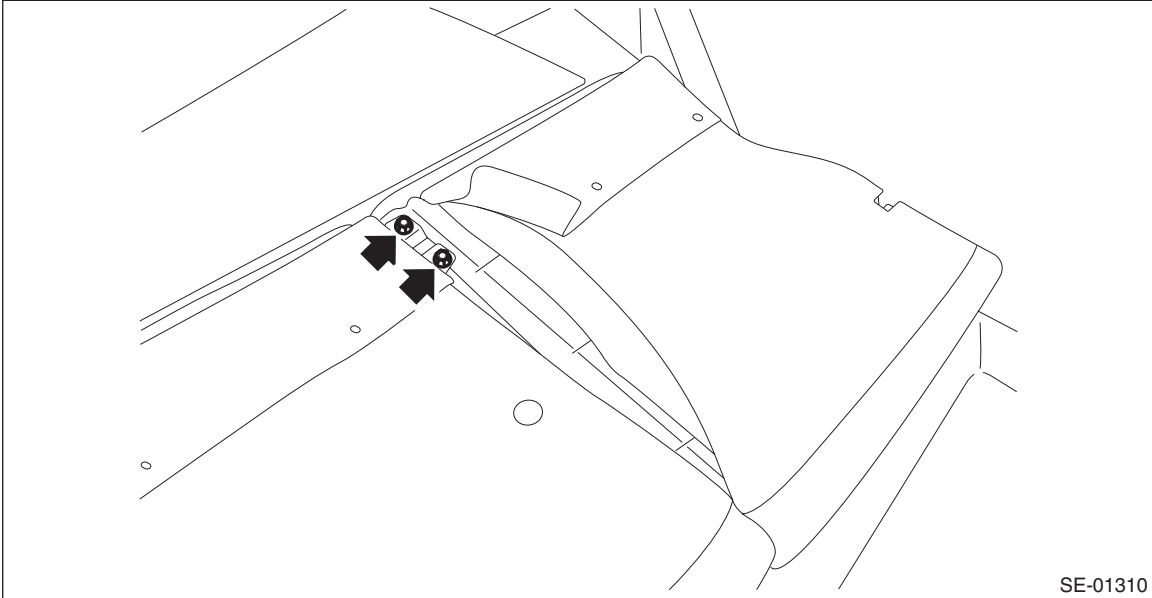
(2) Remove the clips located at the bottom of the cover COMPL - rear backrest LH and RH of the rear seat back.



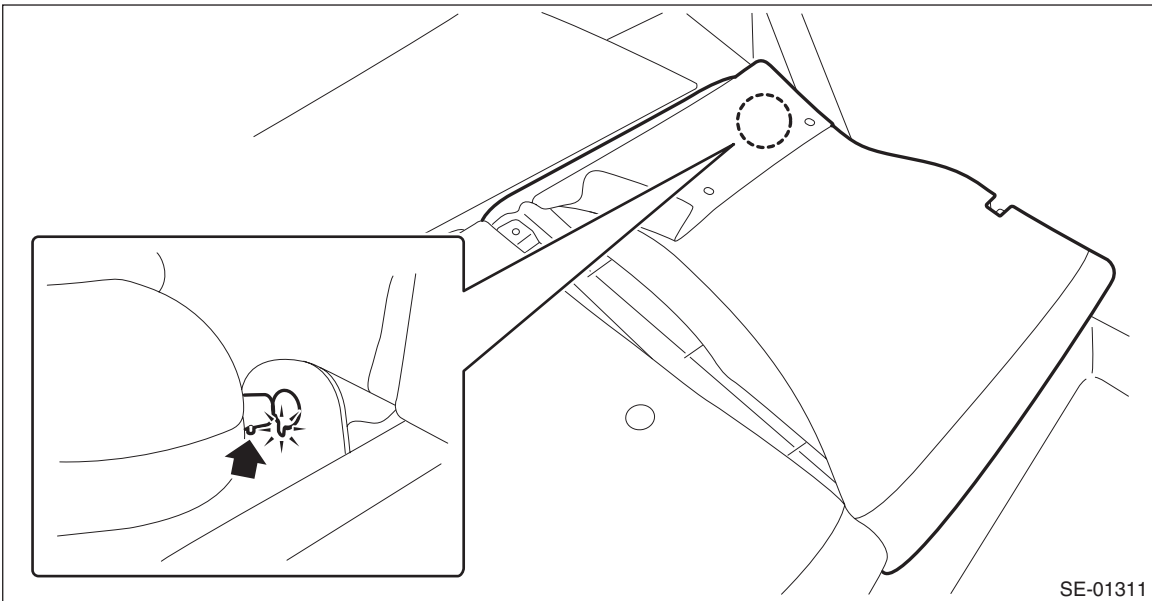
Roof Trim

EXTERIOR/INTERIOR TRIM

- (3) Turn over the cover COMPL - rear backrest to remove the bolts.



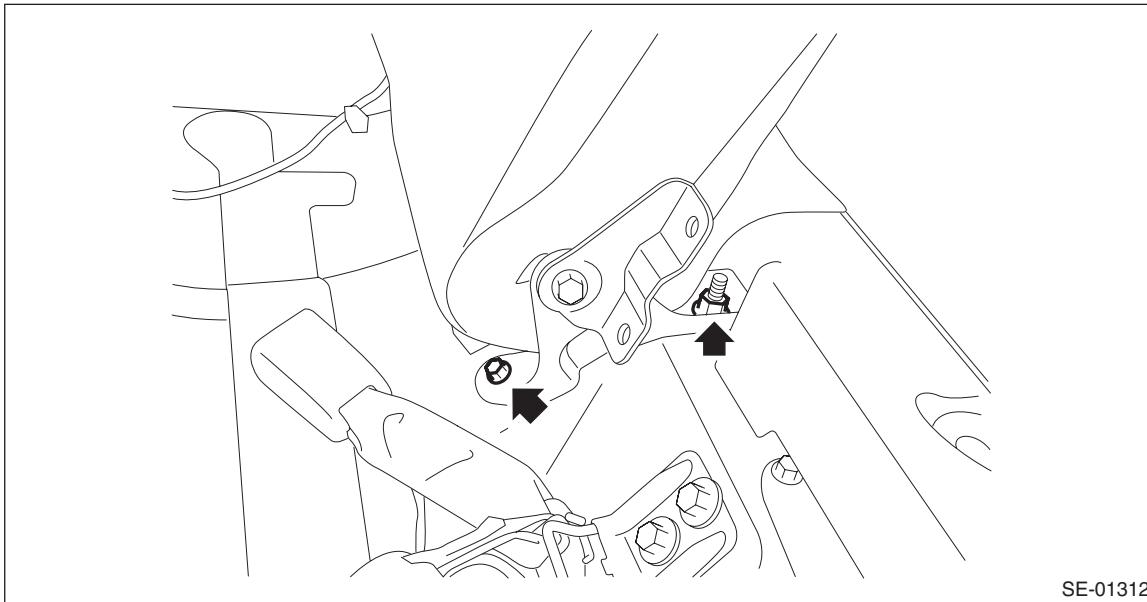
- (4) Remove the backrest assembly LH from the hinge assembly.



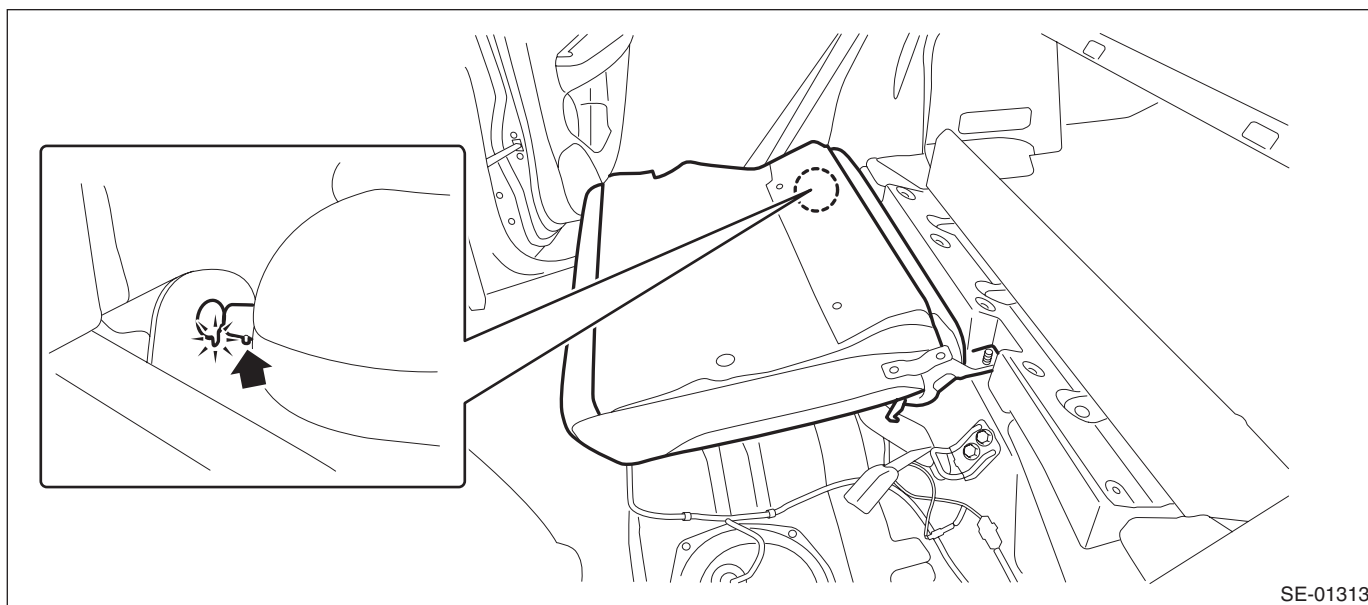
NOTE:

The backrest assembly cannot be removed unless pin positions on the hinge assembly side and backrest assembly side are aligned.

(5) Remove the bolts and nuts, and remove the backrest assembly RH.



(6) Remove the backrest assembly RH from the hinge assembly.



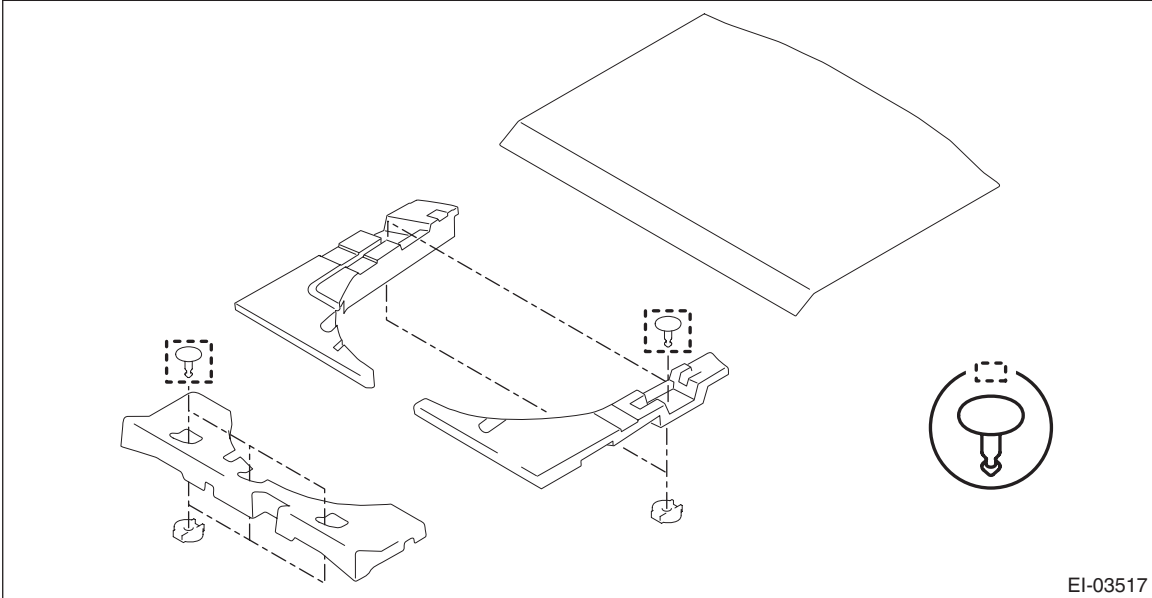
NOTE:

The backrest assembly cannot be removed unless pin positions on the hinge assembly side and backrest assembly side are aligned.

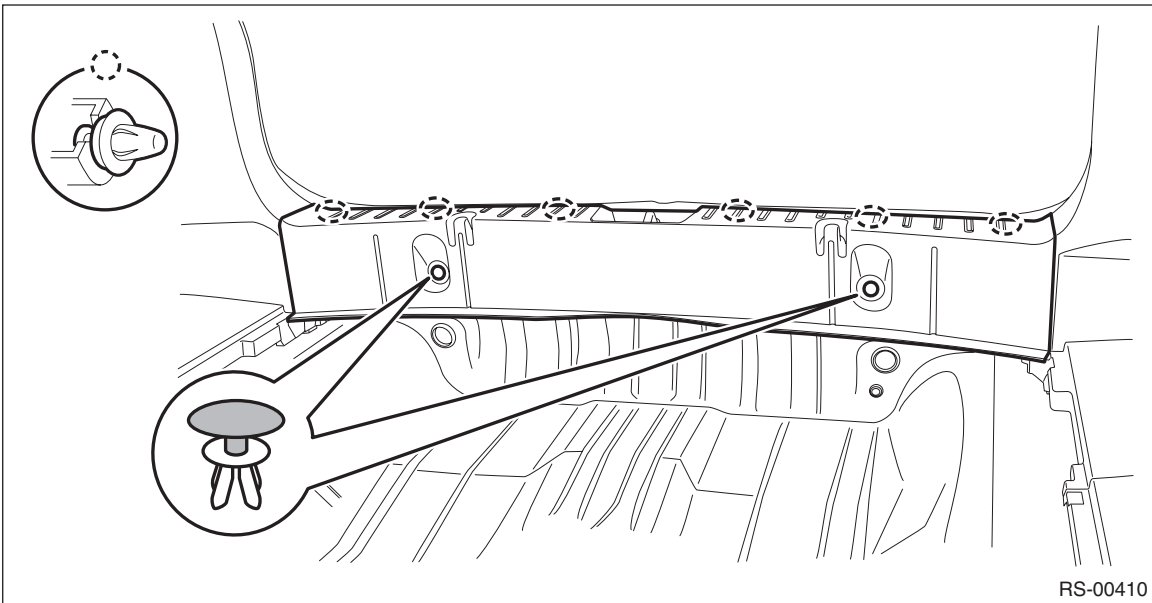
Roof Trim

EXTERIOR/INTERIOR TRIM

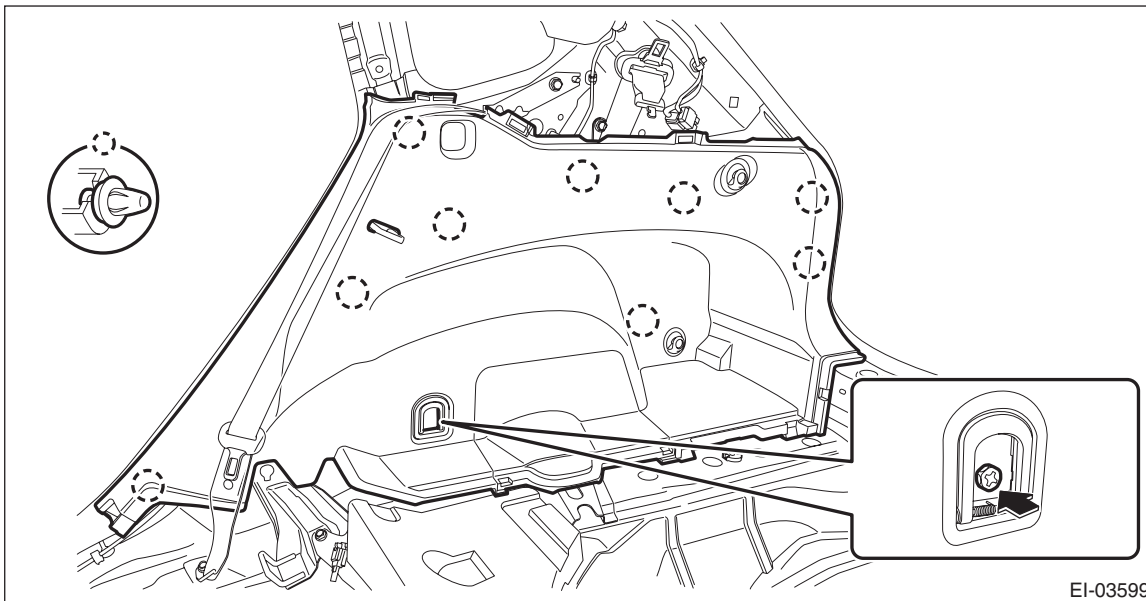
11) Remove the mat - rear floor CTR and the spacer - rear floor side.



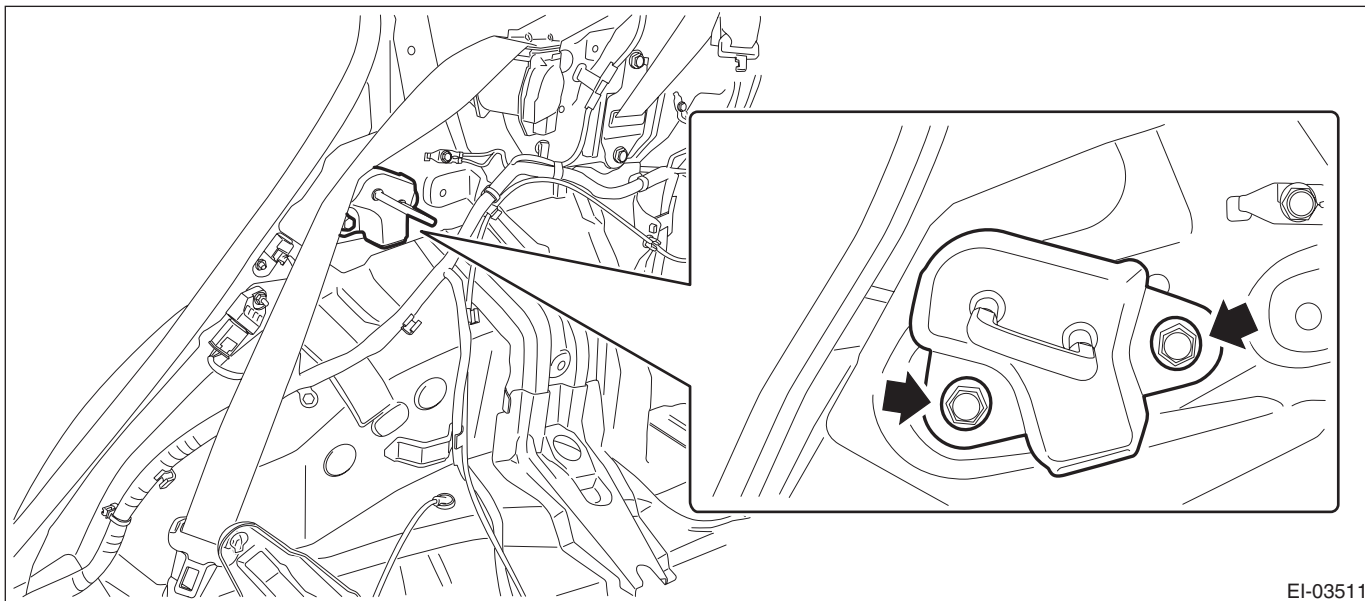
12) Remove the clips, and remove the trim panel - rear skirt.



- 13) Remove the trim panel - rear apron on the left and right sides.
 - (1) Remove the caps, and then remove the screws.
 - (2) Remove the clips, and remove the trim panel - rear apron.



- 14) Remove the bolts, and remove the striker - backrest rear on the passenger's side.



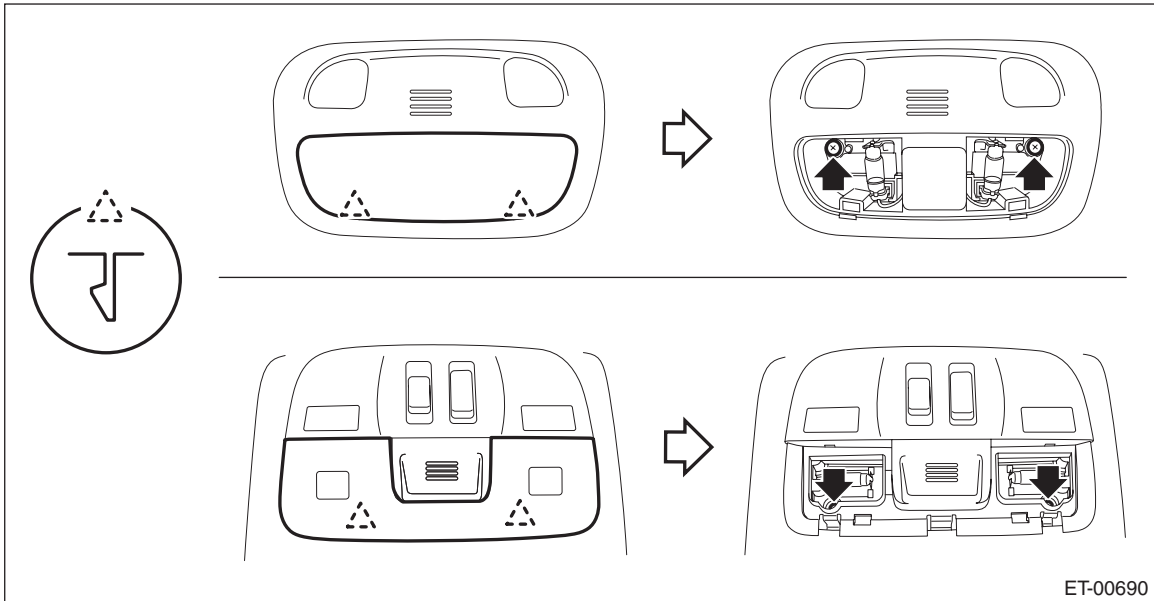
Roof Trim

EXTERIOR/INTERIOR TRIM

15) Remove the light assembly - map.

(1) Remove the lens and detach the screws.

(2) Disconnect the connector and remove the light assembly - map.

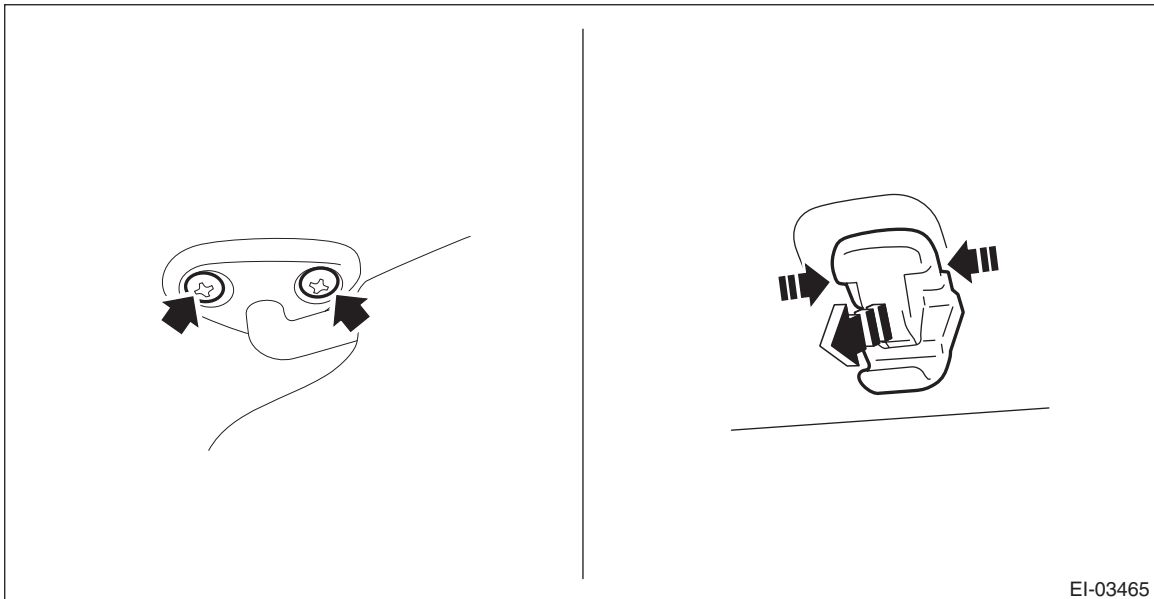


16) Remove the left and right sun visor assembly.

(1) Remove the screws and remove the sun visor assembly.

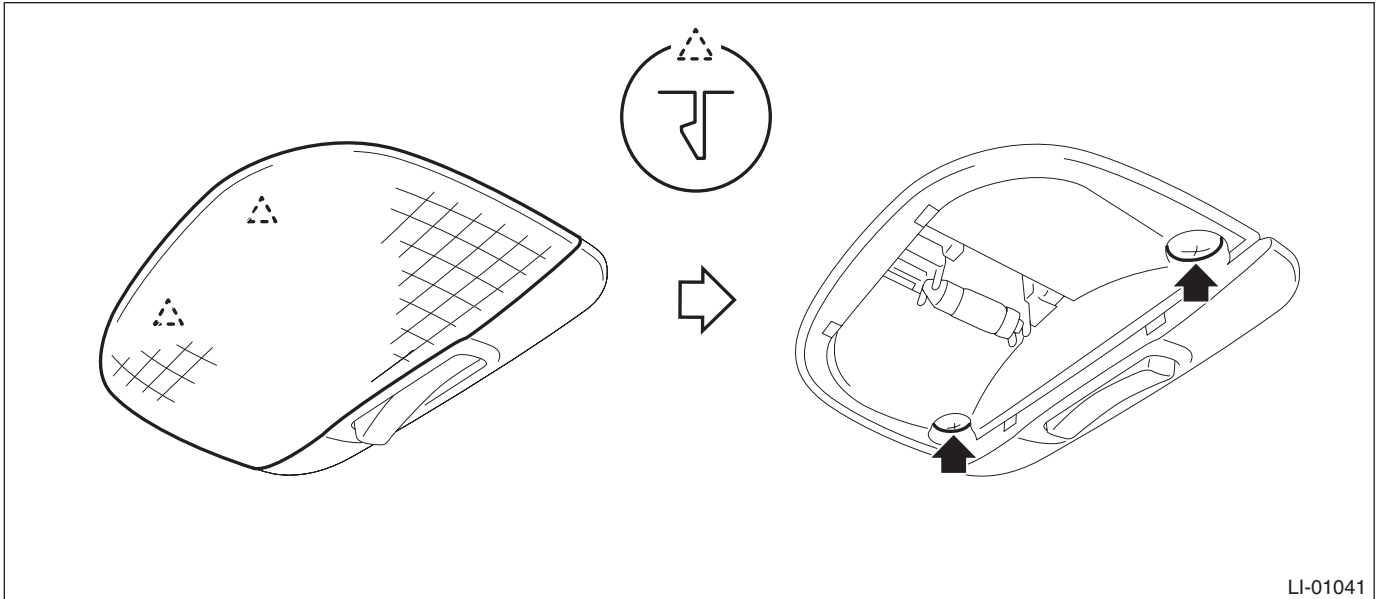
(2) Press both sides of the hook - sun visor using a flat tip screwdriver.

(3) Remove the hook - sun visor by pulling it toward you.



17) Remove the light assembly - room.

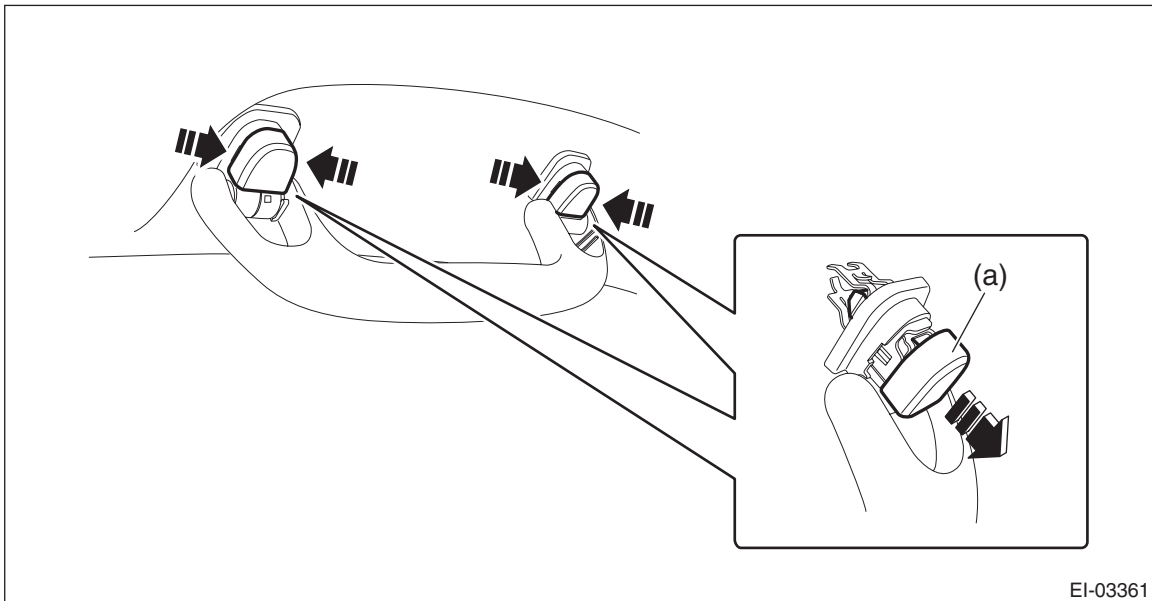
- (1) Remove the lens and detach the screws.
- (2) Disconnect the connector and remove the light assembly - room.



LI-01041

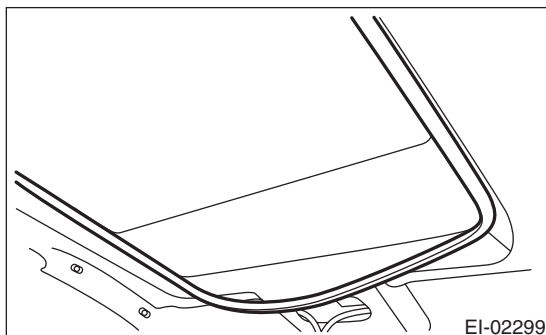
18) Remove all assist rails.

- (1) Remove the cap (a) by pulling the both sides of the cap (a) using a flat tip screwdriver wrapped with a protection tape.
- (2) Pull the assist grip toward you (to the vehicle center) and remove the metal clip from the bracket.



EI-03361

19) Remove the garnish - roof. (Model with sunroof)



EI-02299

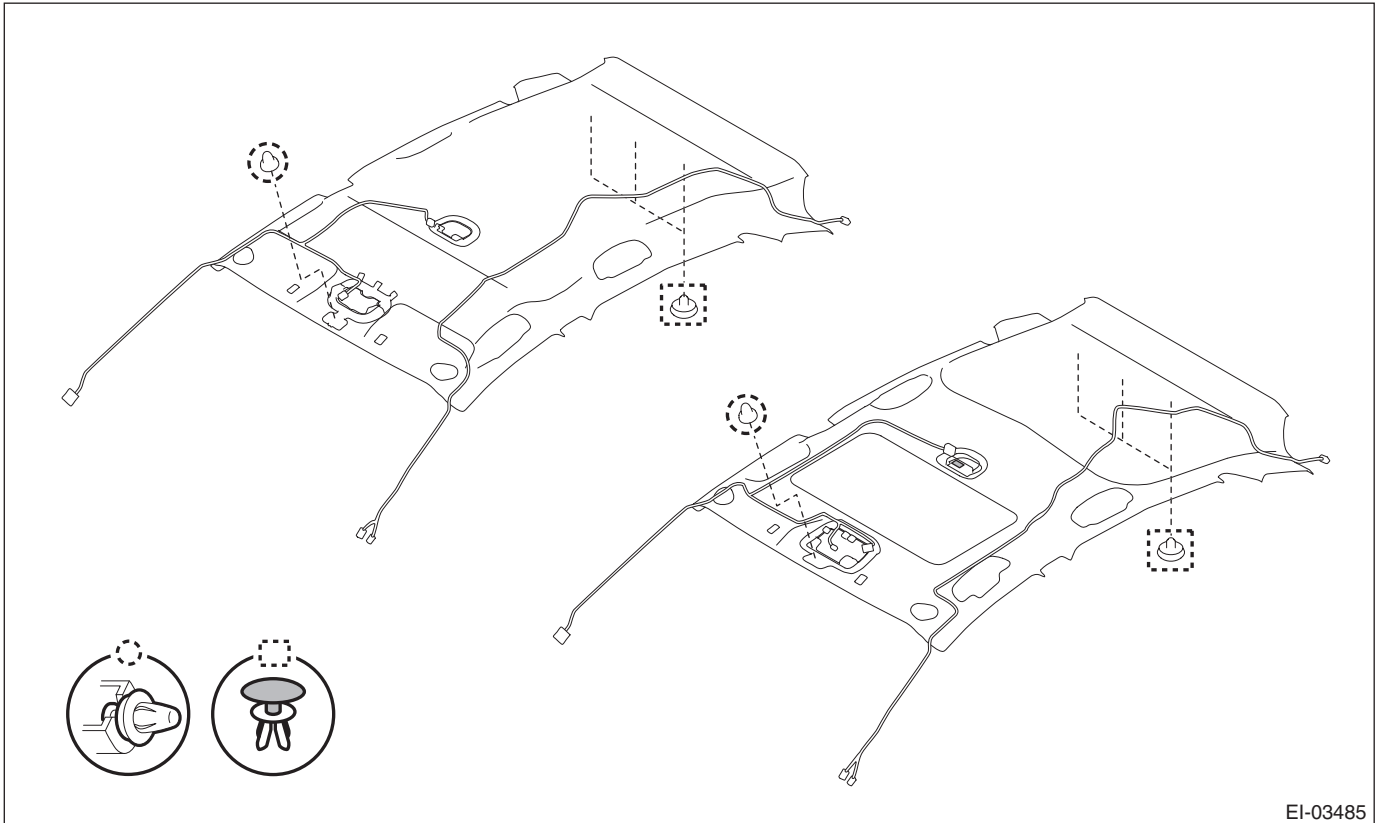
Roof Trim

EXTERIOR/INTERIOR TRIM

20) Remove the trim panel - roof assembly.

(1) Remove the harness clamp of the cord assembly - antenna feeder and the cord - roof, and disconnect the connectors.

(2) Remove the clips and remove the Velcro tape behind the room light.

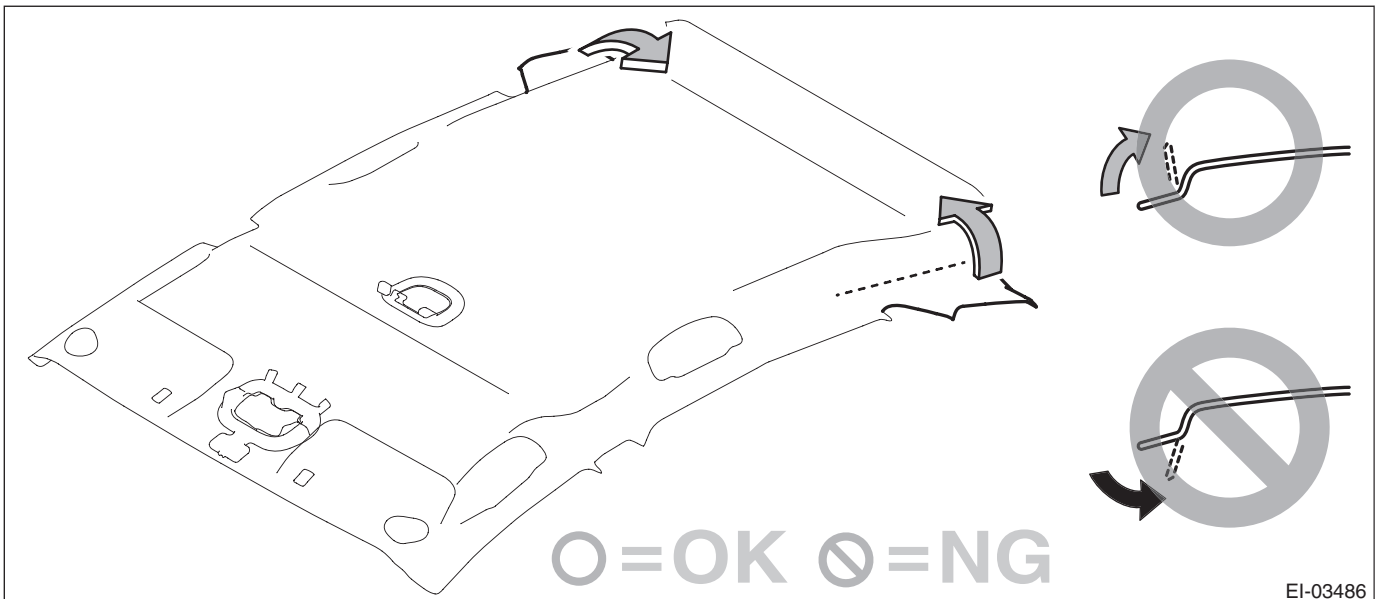


(3) Remove the weather strip - body side flange from the front/rear and left/right doors, and remove the trim panel - roof assembly.

(4) Slightly bend the rear end of the trim panel - roof assembly along the character line, and take it out from the rear gate opening.

CAUTION:

Be careful of the bending direction. If the direction is wrong, the trim panel - roof assembly may be wrinkled.



○ = OK ⊘ = NG

B: INSTALLATION

1) Attach the feeder cord and roof cord to the roof trim.

CAUTION:

Route each cord carefully. The cord may interfere, thus preventing normal deployment of the curtain airbag when necessary.

Tape:

Item number: 86359SC000/TAPE

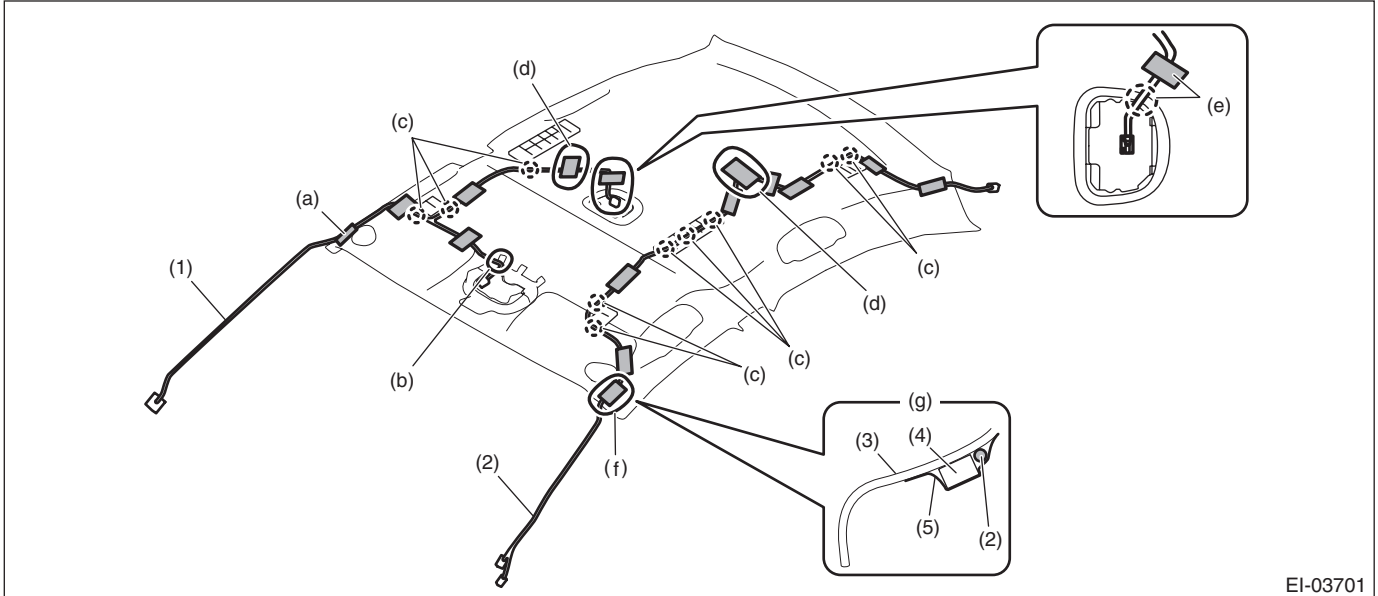
NOTE:

Use the tape (service parts) by cutting into 80 mm × 50 mm (3.2 in × 2.0 in).

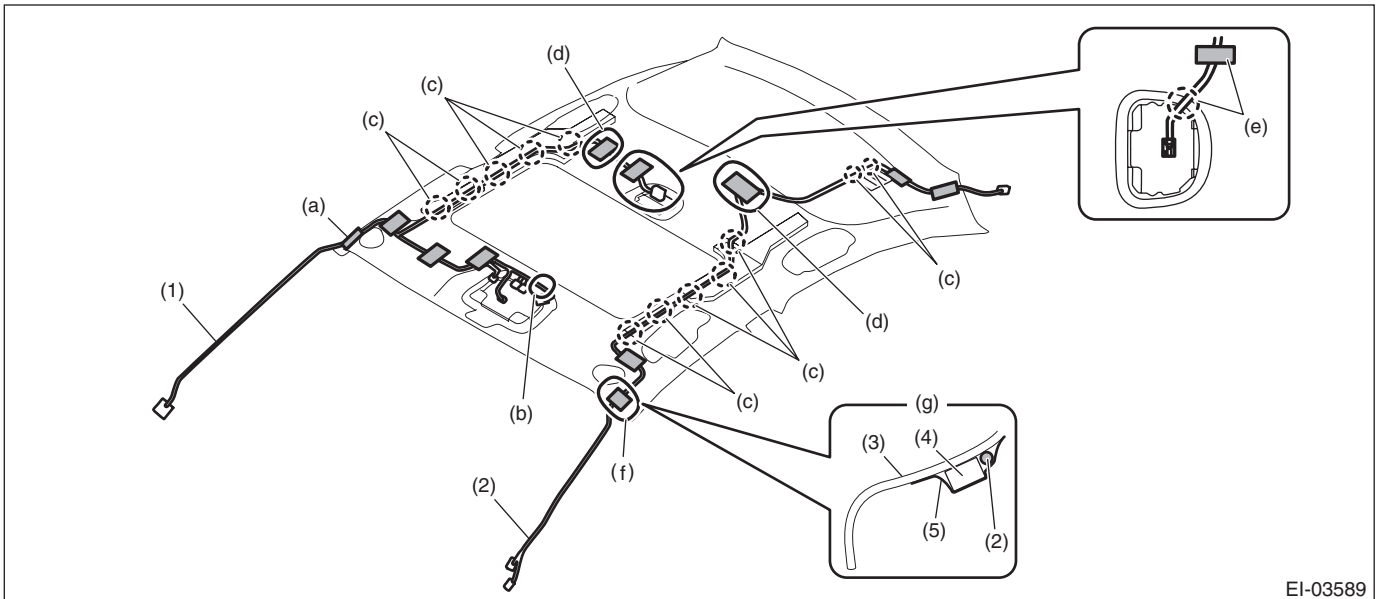
Roof Trim

EXTERIOR/INTERIOR TRIM

- 4 door model



EI-03701



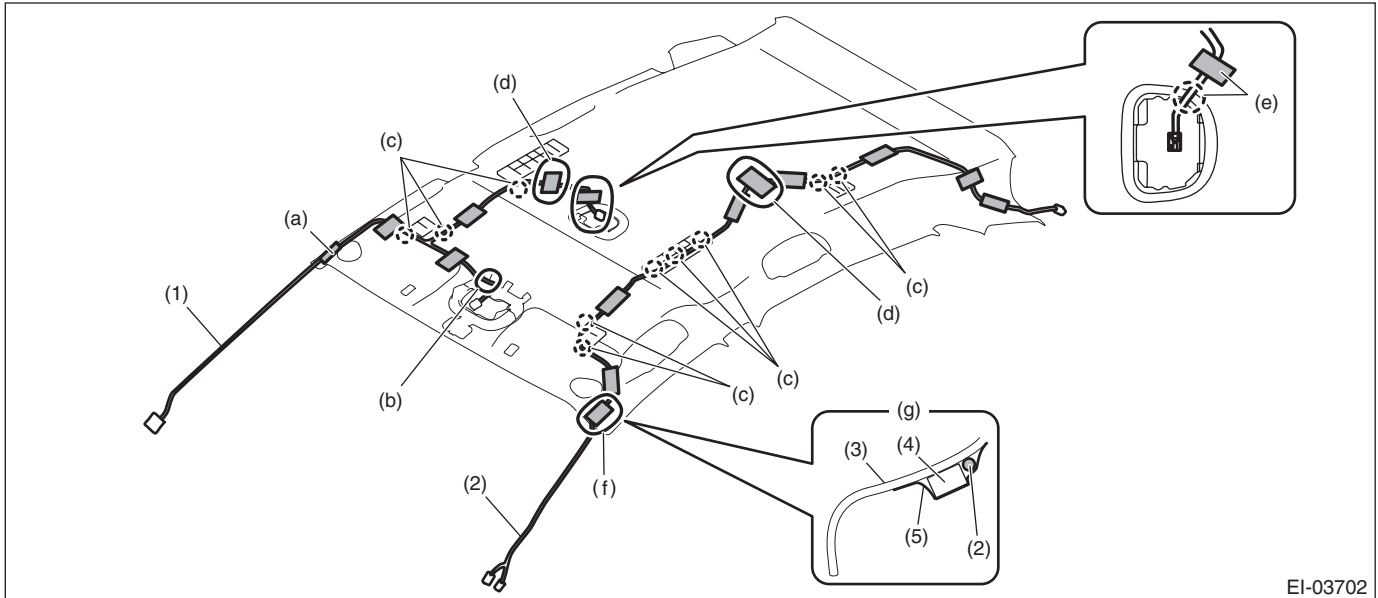
EI-03589

- | | | |
|---|--|---|
| (1) Roof cord | (3) Trim panel - roof | (5) Tape |
| (2) Feeder cord | (4) Cushion | |
| (a) Align the center of the marking (white tape) on the cord with the trim end, then secure using the tape. | (d) Adjust the excess cord at (d) position and secure using the tape. | (g) Route the cord along inside of the cushion (to the vehicle center) and secure using the tape. |
| (b) Align the marking (white tape) of the cord with the clamp to secure. | (e) Secure the marking (white tape) of the cord using the tape so that the marking cannot be viewed from the passenger room. | |
| (c) Secure the cord to the roof pad clamp. | (f) Align the center of the marking (red tape) on the cord with the roof trim end, then secure using the tape. | |

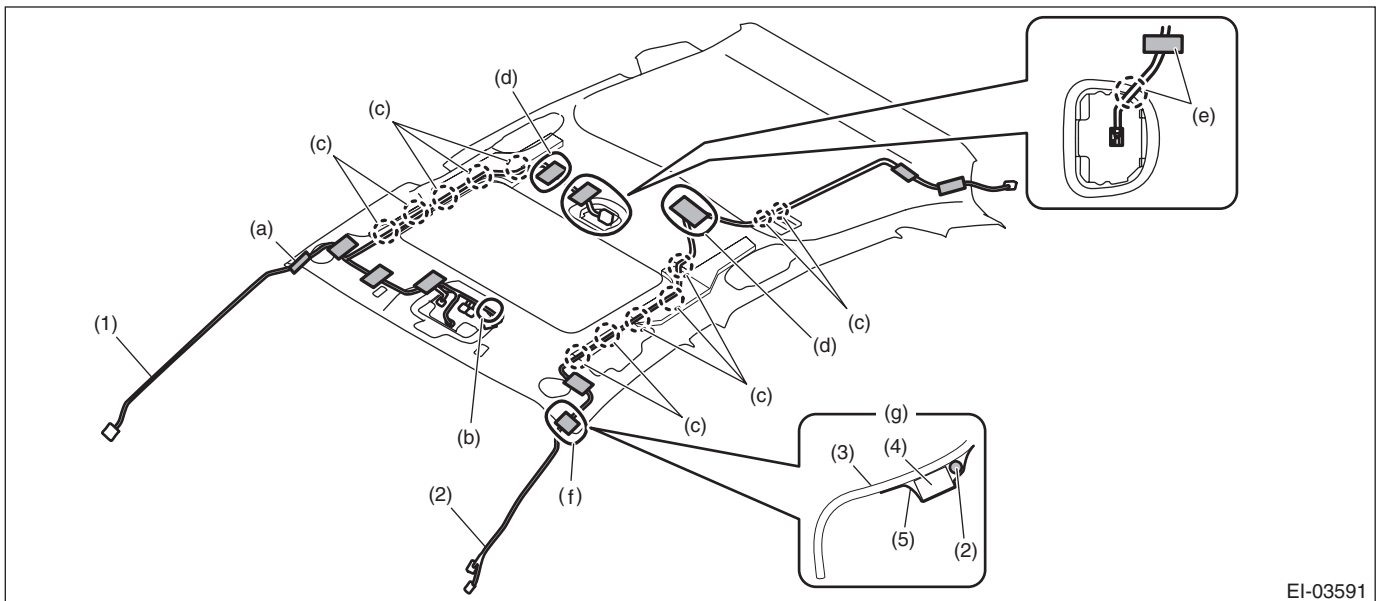
Roof Trim

EXTERIOR/INTERIOR TRIM

- 5 door model/XV model



EI-03702



EI-03591

- | | | |
|---|--|---|
| (1) Roof cord | (3) Trim panel - roof | (5) Tape |
| (2) Feeder cord | (4) Cushion | |
| (a) Align the center of the marking (white tape) on the cord with the trim end, then secure using the tape. | (d) Adjust the excess cord at (d) position and secure using the tape. | (g) Route the cord along inside of the cushion (to the vehicle center) and secure using the tape. |
| (b) Align the marking (white tape) of the cord with the clamp to secure. | (e) Secure the marking (white tape) of the cord using the tape so that the marking cannot be viewed from the passenger room. | |
| (c) Secure the cord to the roof pad clamp. | (f) Align the center of the marking (red tape) on the cord with the roof trim end, then secure using the tape. | |

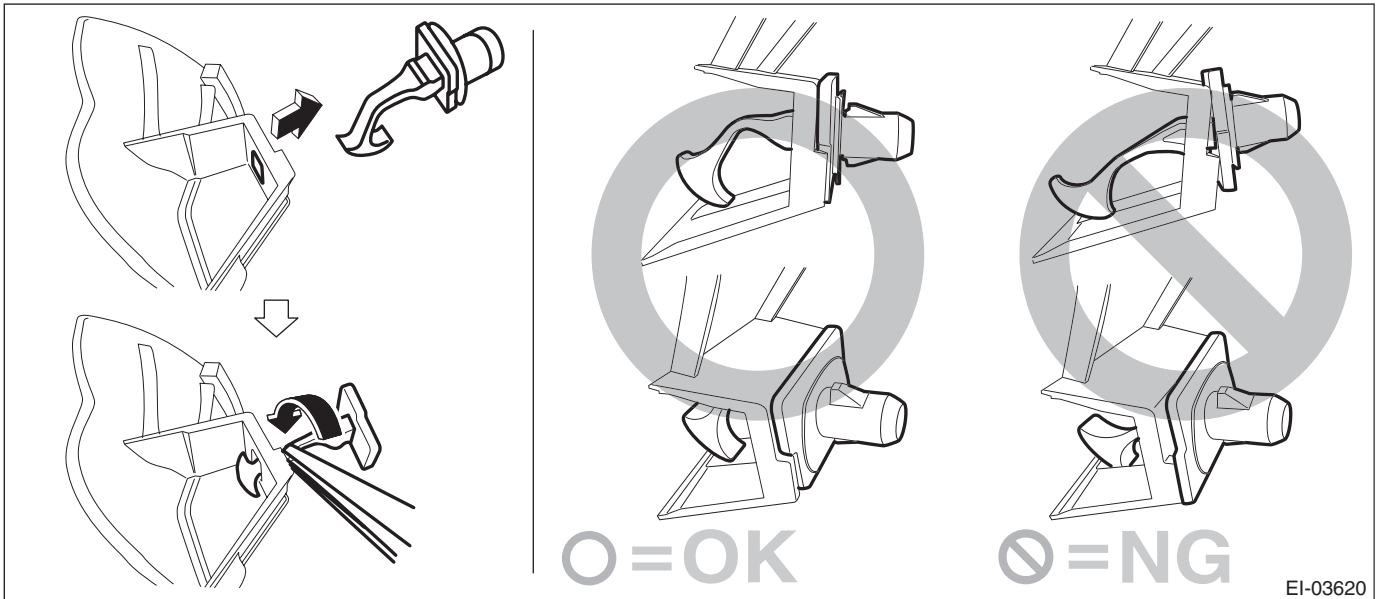
Roof Trim

EXTERIOR/INTERIOR TRIM

2) Install each part in the reverse order of removal.

CAUTION:

- When reusing the tether clip on the upper part of the trim panel - front pillar UPR, check that there is no damage to the tether clip. If the clip is damaged, its holding force is reduced and the trim panel - front pillar UPR may come off. Be sure to replace it with a new clip.
- Do not reuse the tether clip removed from the upper part of the trim panel - front pillar UPR. Always replace with a new part.
- Do not reuse the upper clips of the trim panel - center pillar UPR. Once the clip is removed, its holding force is reduced. Be sure to replace it with a new clip.
- Before installing the trim panel - front pillar UPR, check the condition of protective non-woven fabric (white) of the curtain airbag. If it is damaged (airbag module cloth is exposed), replace the curtain airbag module assembly with a new part.
- Check the installation status of the tether clips and install the trim panel - front pillar UPR.



Tightening torque:

Console box assembly: 6.5 N·m (0.66 kgf·m, 4.8 ft·lb)

Rear seat backrest assembly: <Ref. to SE-5, REAR SEAT, COMPONENT, General Description.>