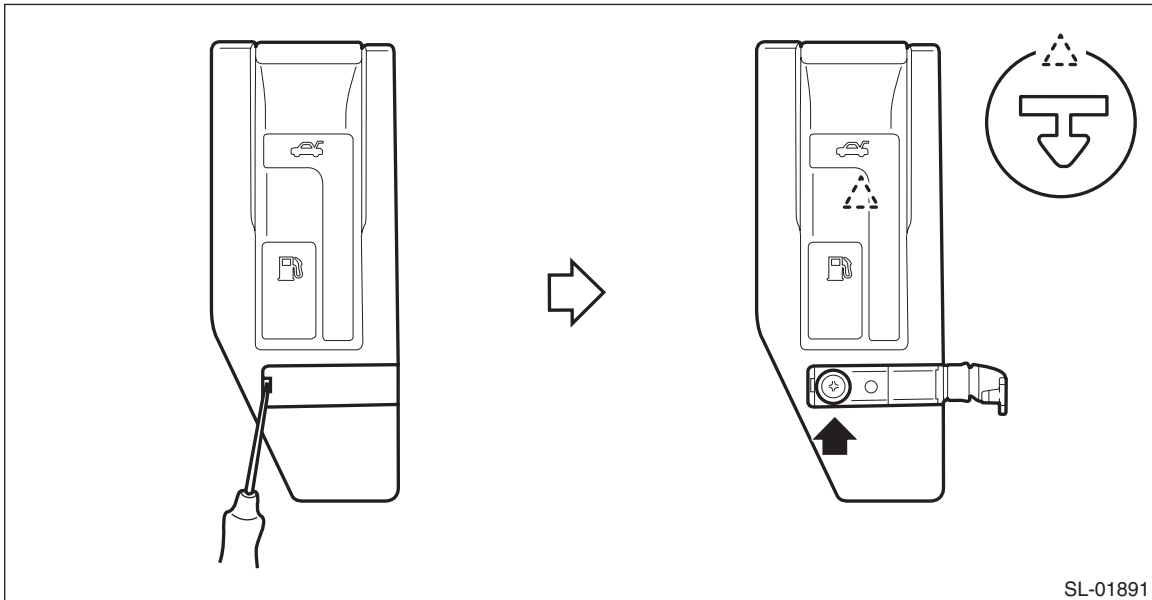


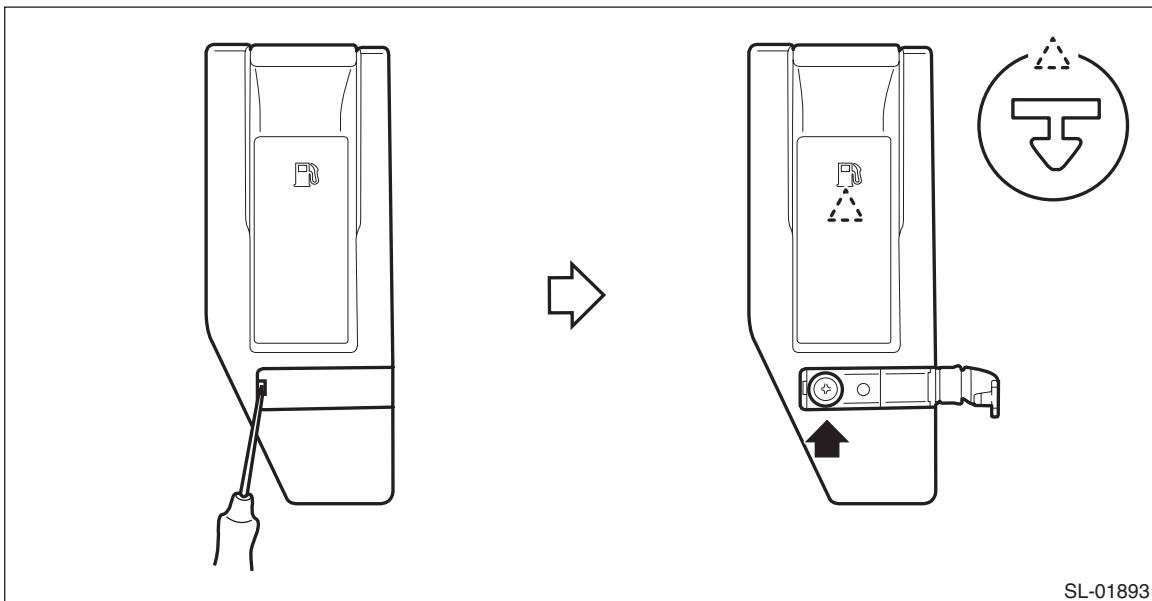
28.Floor Mat

A: REMOVAL

- 1) Remove the front seat assembly. <Ref. to SE-7, REMOVAL, Front Seat.>
- 2) Remove the rear seat cushion assembly. <Ref. to SE-22, REMOVAL, Rear Seat.>
- 3) Remove the console box assembly and panel center LWR. <Ref. to EI-71, REMOVAL, Console Box.>
- 4) Remove the lower inner trim. <Ref. to EI-95, REMOVAL, Lower Inner Trim.>
- 5) Remove the pull handle cover.
 - (1) Open the cover by using a flat tip screwdriver.
 - (2) Remove the screw and remove the pull handle cover.
 - 4 door model



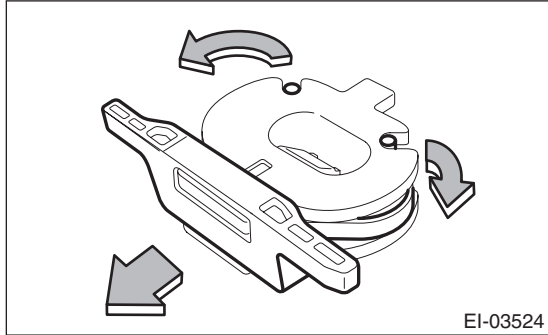
- 5 door model/XV model



Floor Mat

EXTERIOR/INTERIOR TRIM

6) Remove the knobs of the hook - seat cushion rear.

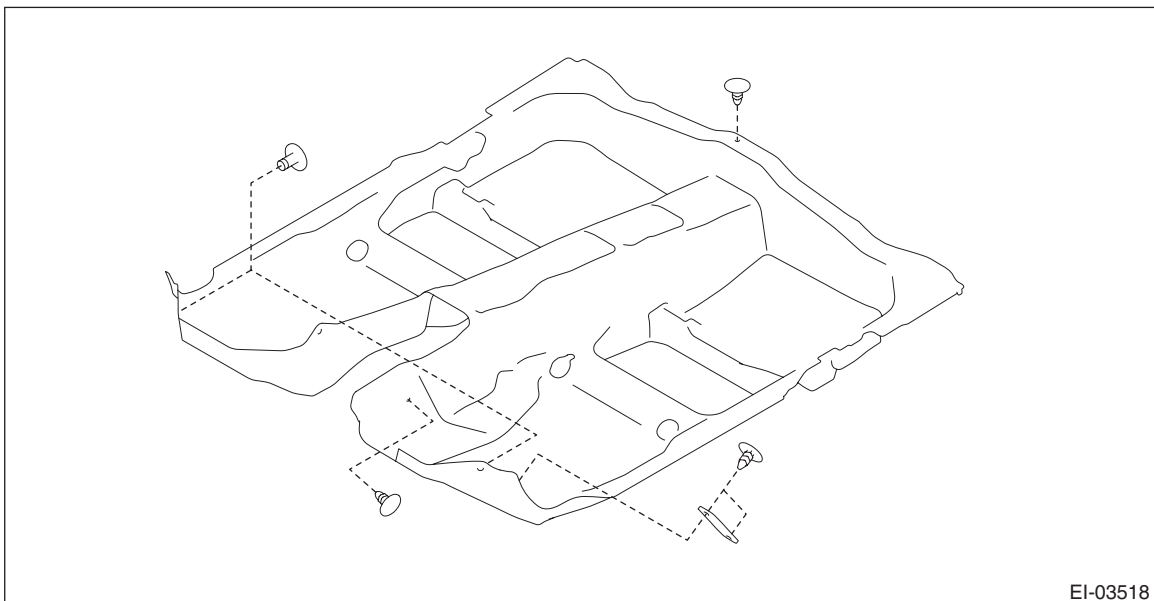


7) Take out the floor mat from the vehicle.

(1) Remove the clips from the floor mat.

(2) Remove the mat hook on both sides.

(3) Take out the floor mat after folding down.

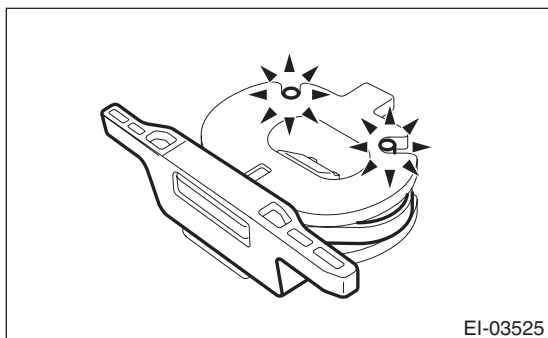


B: INSTALLATION

Install each part in the reverse order of removal.

CAUTION:

Make sure that the knobs of the hook - seat cushion rear are securely installed.



NOTE:

Secure the mat firmly with clips.