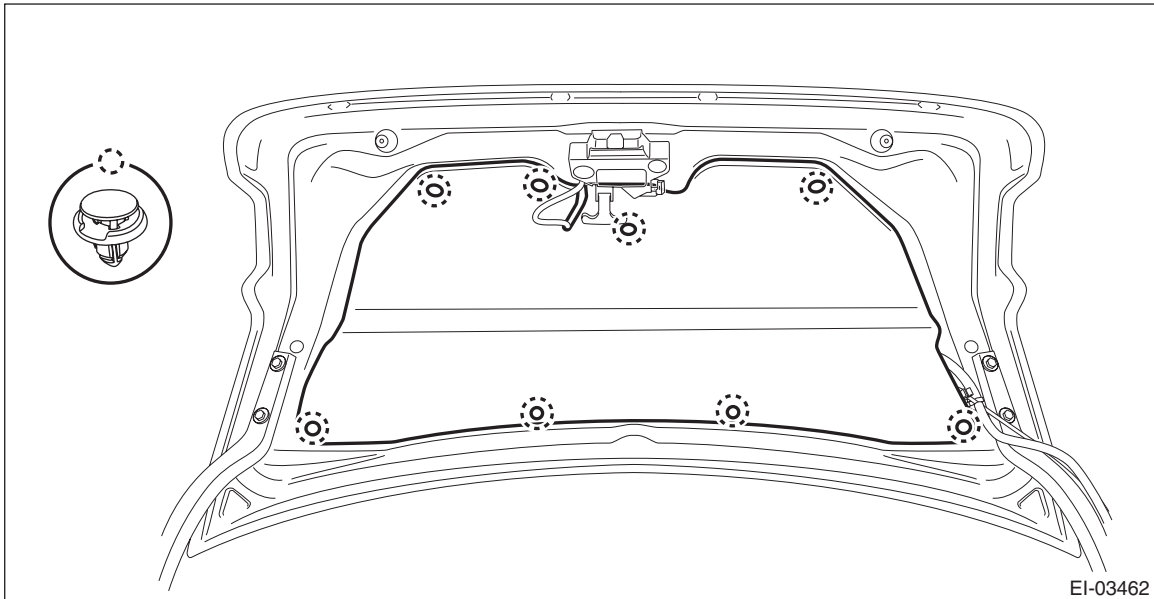


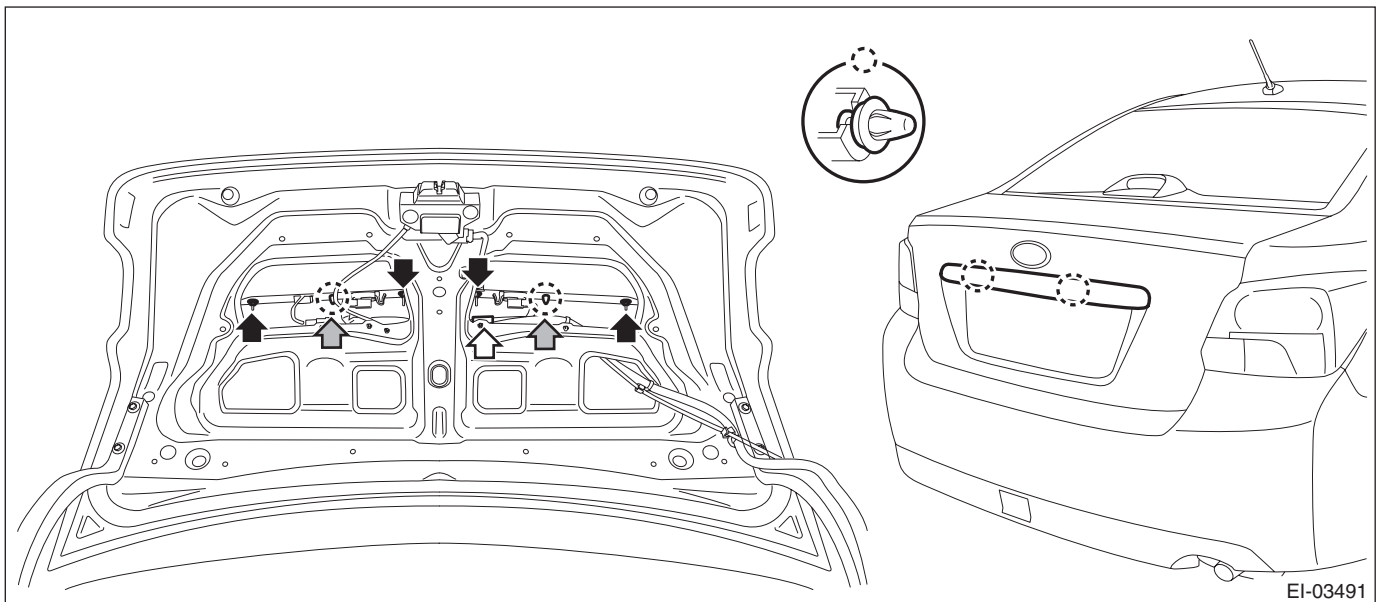
29.Trunk Lid Garnish

A: REMOVAL

- 1) Remove the clips, and remove the trim panel - trunk lid.



- 2) Remove the garnish - trunk.
 - (1) Remove the nut.
 - (2) Remove the clips, and remove the garnish - trunk.



B: INSTALLATION

Install each part in the reverse order of removal.

Tightening torque:

4.5 N·m (0.46 kgf-m, 3.3 ft-lb)