

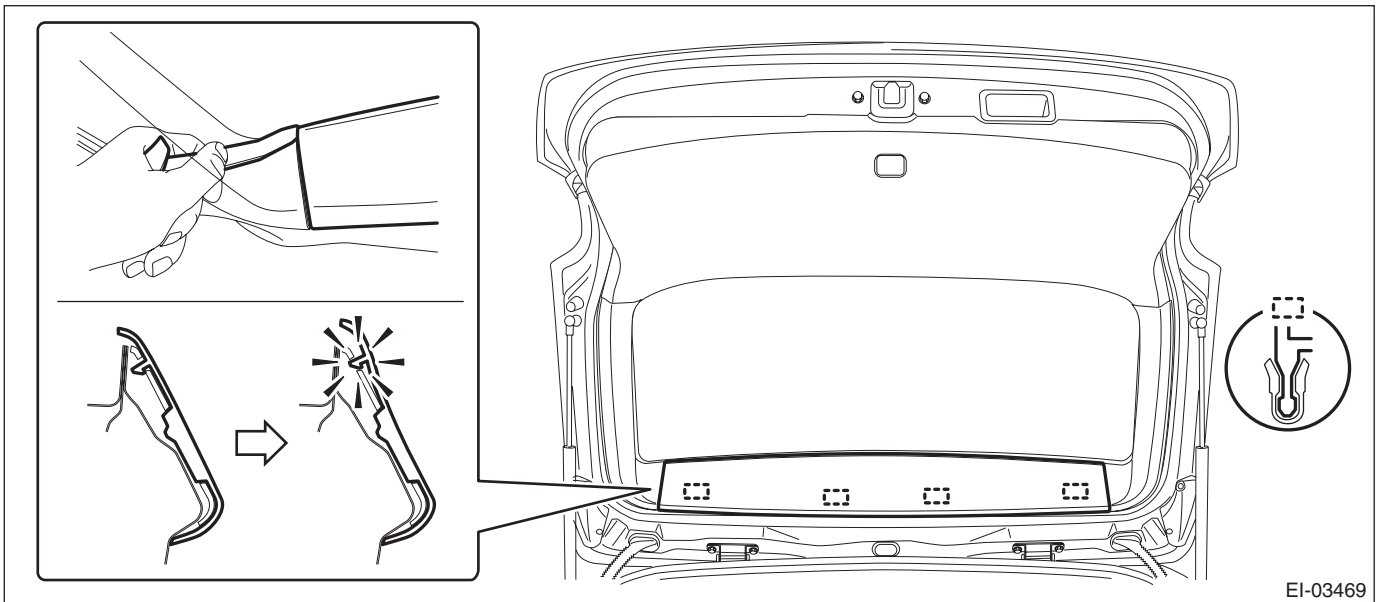
# Rear Gate Garnish

EXTERIOR/INTERIOR TRIM

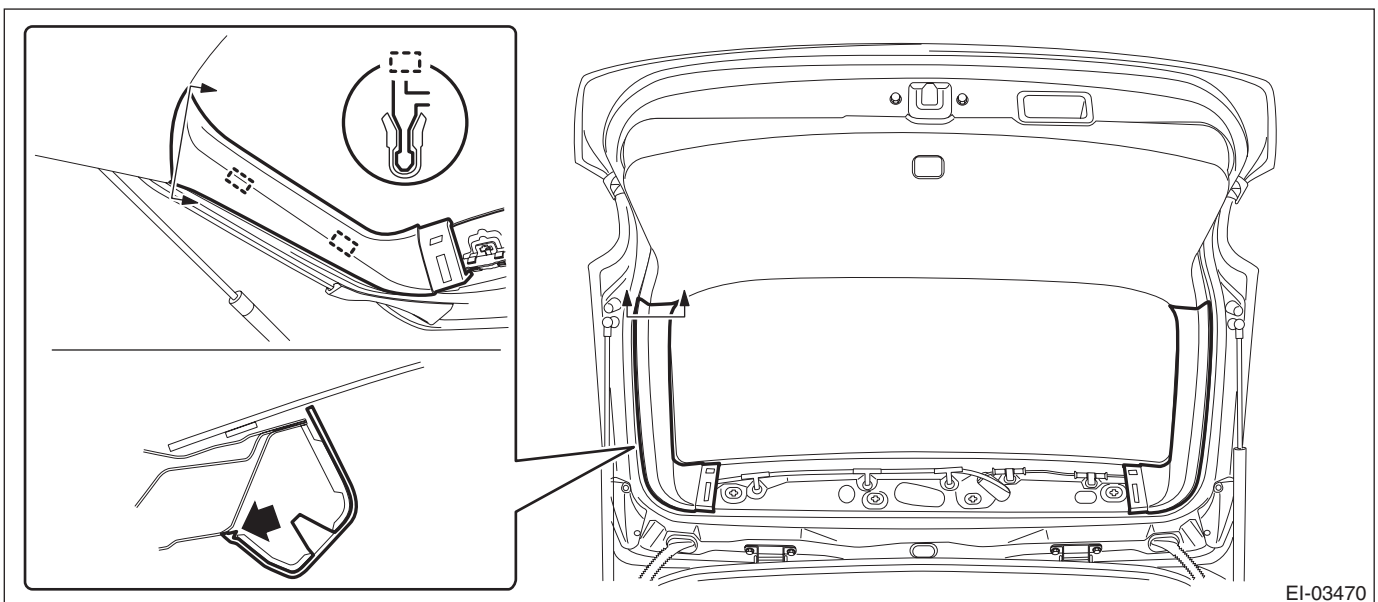
## 30.Rear Gate Garnish

### A: REMOVAL

- 1) Disconnect the ground cable from battery.
- 2) Remove the trim panel - rear gate UPR.
  - (1) Remove the claws on the trim edge.
  - (2) Release the claws in the center of trim, and remove the trim panel - rear gate UPR.



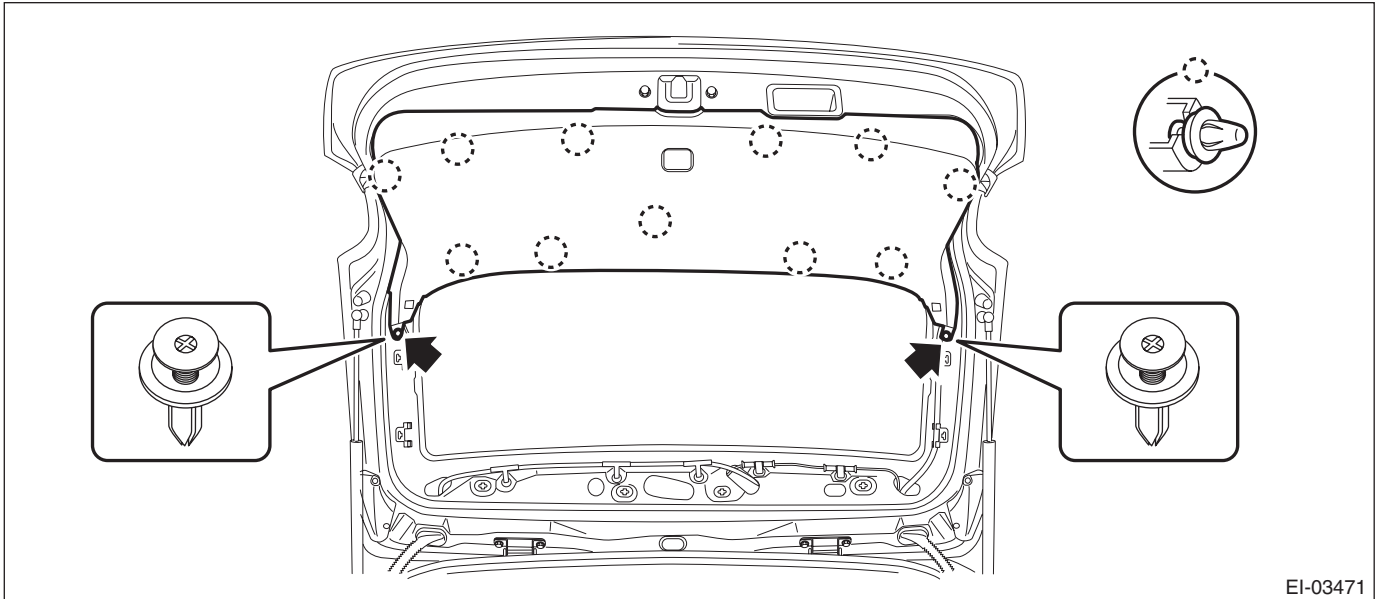
- 3) Remove the trim panel - rear gate pillar side.
  - (1) Release the claws.
  - (2) Remove the claws on the bottom of trim, and remove the trim panel - rear gate pillar side.



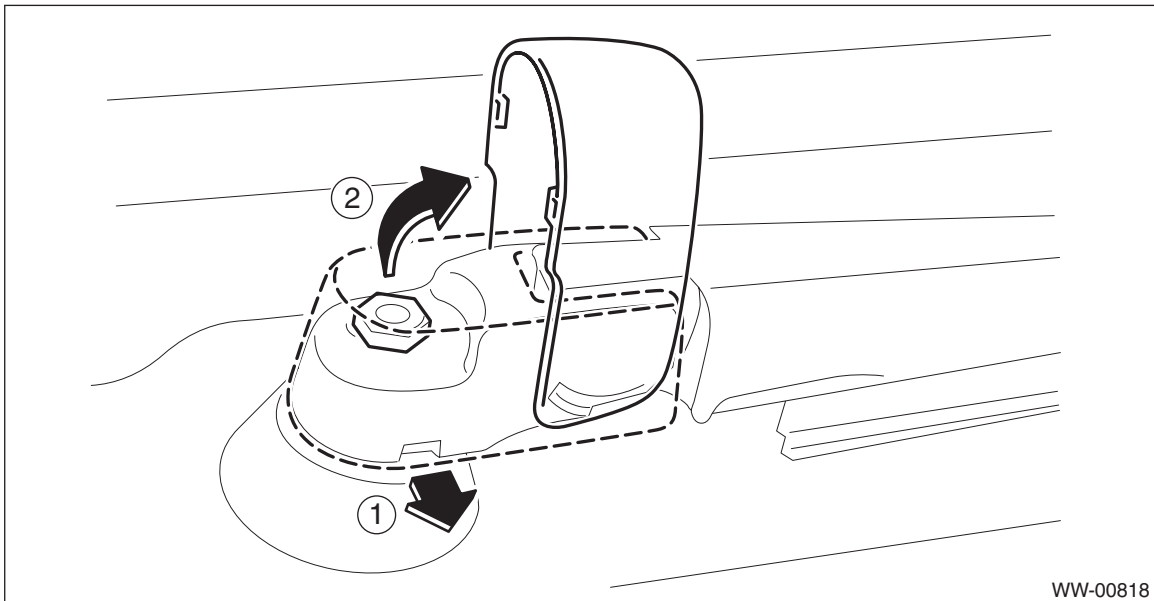
# Rear Gate Garnish

EXTERIOR/INTERIOR TRIM

- 4) Remove the trim panel - rear gate LWR.  
(1) Remove the clips on both ends.  
(2) Release the clips, and remove the trim panel - rear gate LWR.



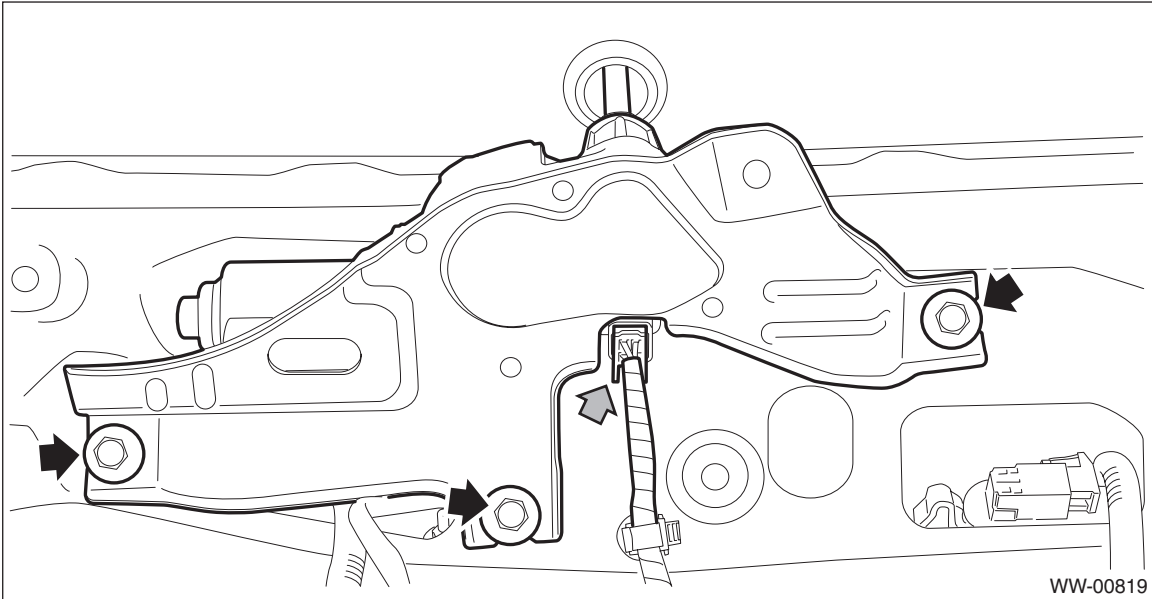
- 5) Remove the arm assembly - rear wiper.  
(1) Remove the cover - rear wiper arm.  
(2) Remove the nut, and remove the arm assembly - rear wiper.



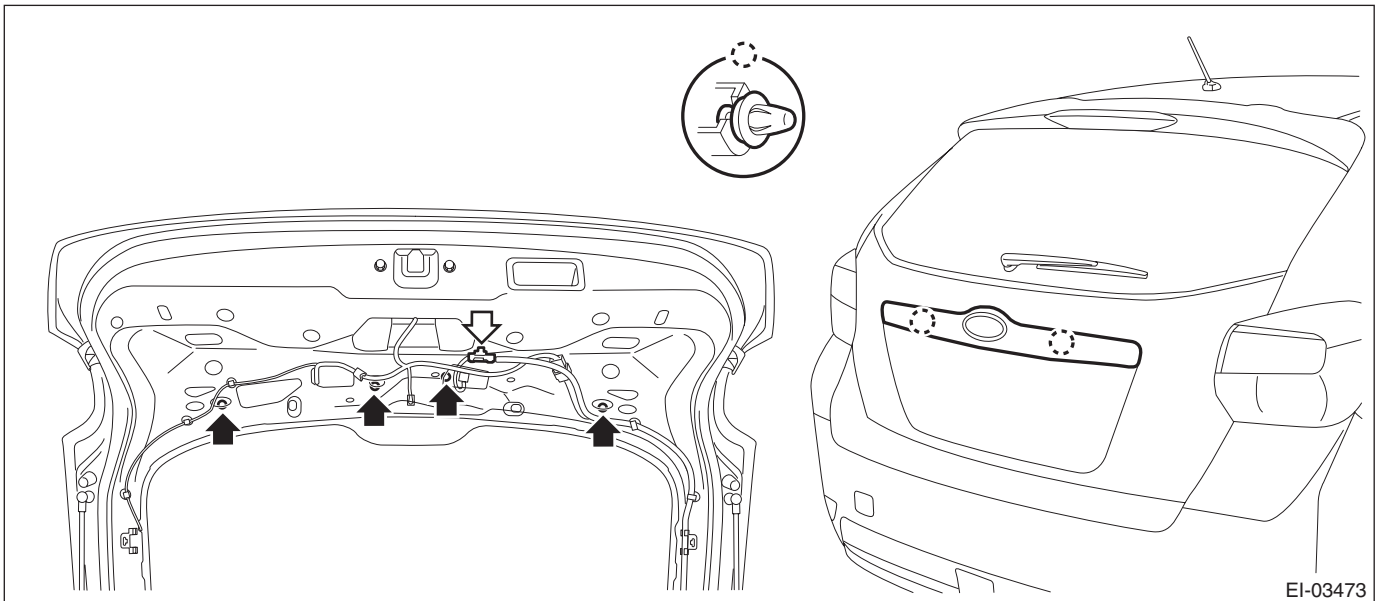
# Rear Gate Garnish

## EXTERIOR/INTERIOR TRIM

- 6) Remove the motor assembly - rear wiper.
- (1) Disconnect the harness connector of the motor assembly - rear wiper.
  - (2) Remove the bolts, and remove the motor assembly - rear wiper.



- 7) Remove the garnish assembly - rear gate.
- (1) Disconnect the harness connector of license plate light assembly.
  - (2) Remove the nuts.
  - (3) Remove the clips and remove the garnish assembly - rear gate.



## B: INSTALLATION

### CAUTION:

**Make sure that the harness grommet is securely installed.**

**If not properly installed, this may cause leaks.**

Install each part in the reverse order of removal.

### Tightening torque

**Garnish assembly - rear gate: 4.5 N·m (0.46 kgf-m, 3.3 ft-lb)**

**Motor assembly - rear wiper: 7 N·m (0.71 kgf-m, 5.2 ft-lb)**

**Arm assembly - rear wiper: 8 N·m (0.82 kgf-m, 5.9 ft-lb)**