

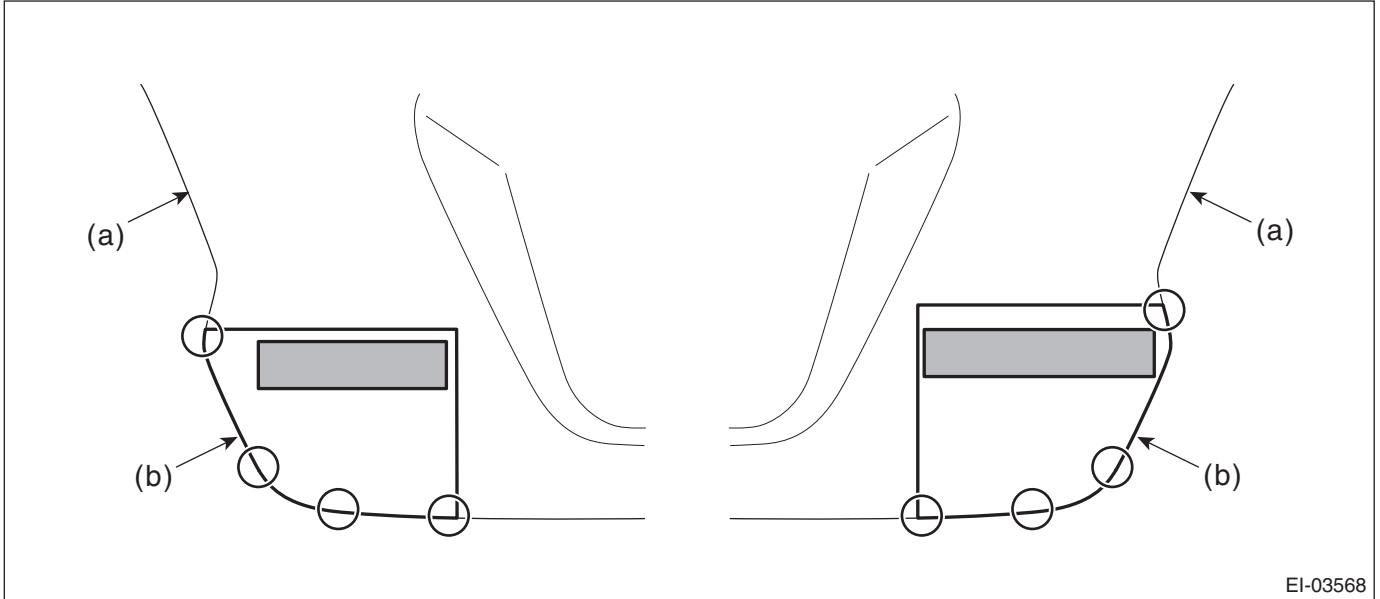
32.Ornament

A: INSTALLATION

1. LETTER MARK

Align the end of application tape with the end of panel, then adhere the letter mark.

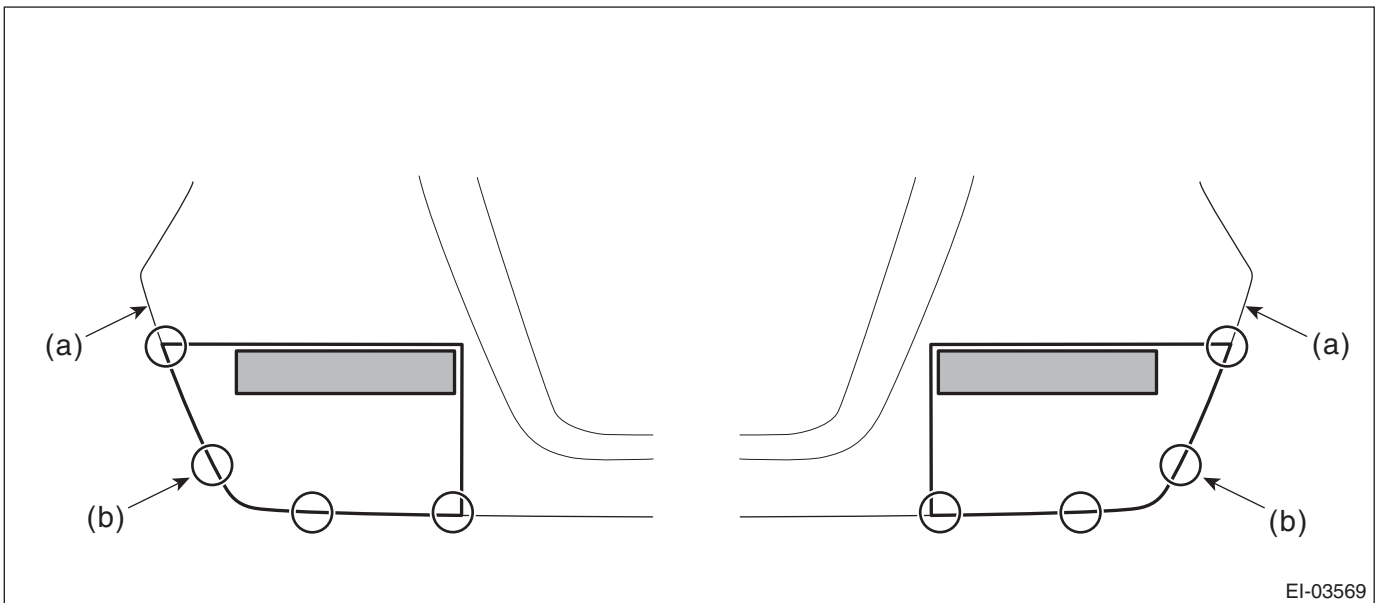
- 4 door model



(a) Trunk lid COMPL end

(b) Application tape end

- 5 door model/XV model



(a) Panel - rear gate end

(b) Application tape end

EXTERIOR BODY PANELS



	Page
1. General Description	2
2. Front Hood	9
3. Front Fender	15
4. Front Door	21
5. Front Sealing Cover	30
6. Rear Door	32
7. Rear Sealing Cover	40
8. Door Sash Tape	42
9. Trunk Lid	53
10. Rear Gate	57
11. Protector Tape	66