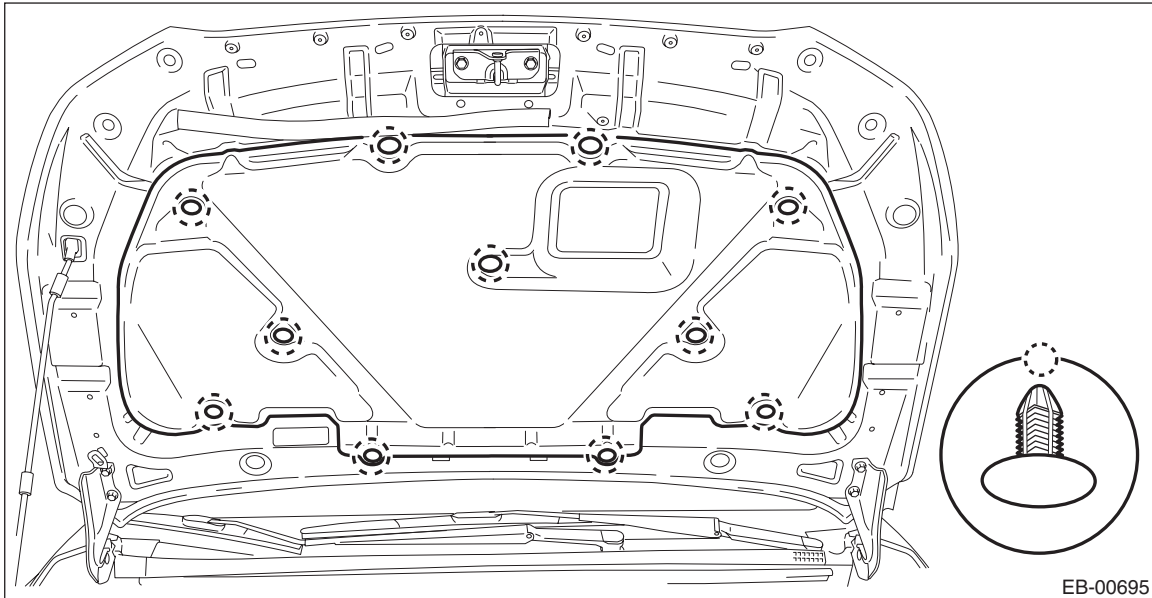


2. Front Hood

A: REMOVAL

1. FRONT HOOD INSULATOR

Remove the clips, and remove the insulator - front hood.

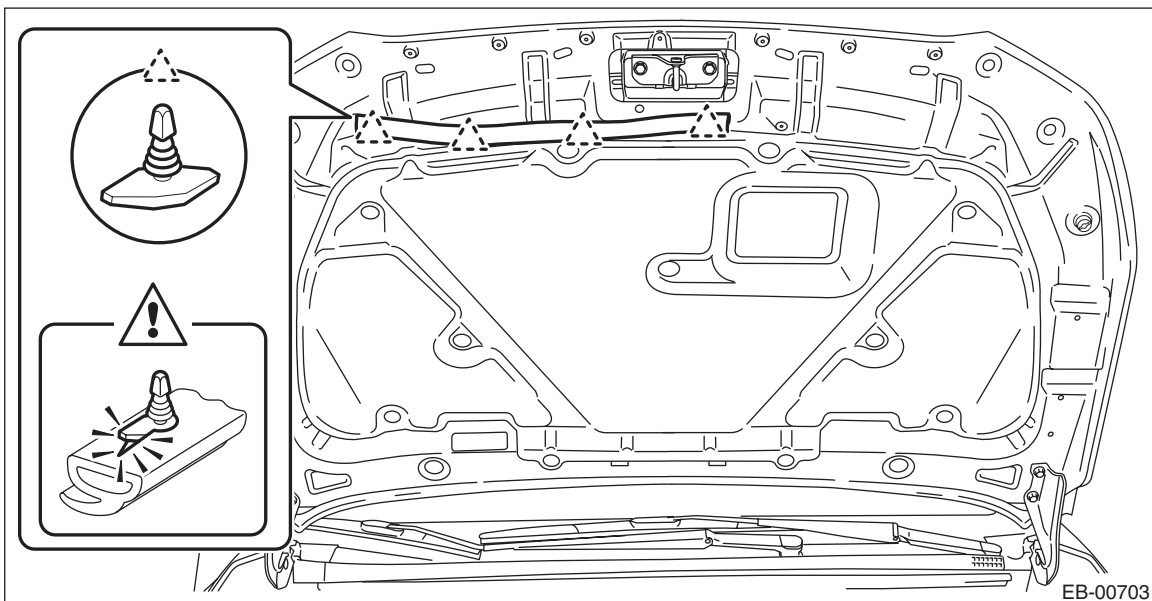


2. FRONT DUCT SEAL

Remove the clip, and remove the seal - front duct.

CAUTION:

If the weather strip clip is removed with excessive force, the seal - front duct may be damaged. Be sure to use clip remover, etc. to remove.



Front Hood

EXTERIOR BODY PANELS

3. FRONT HOOD HINGE

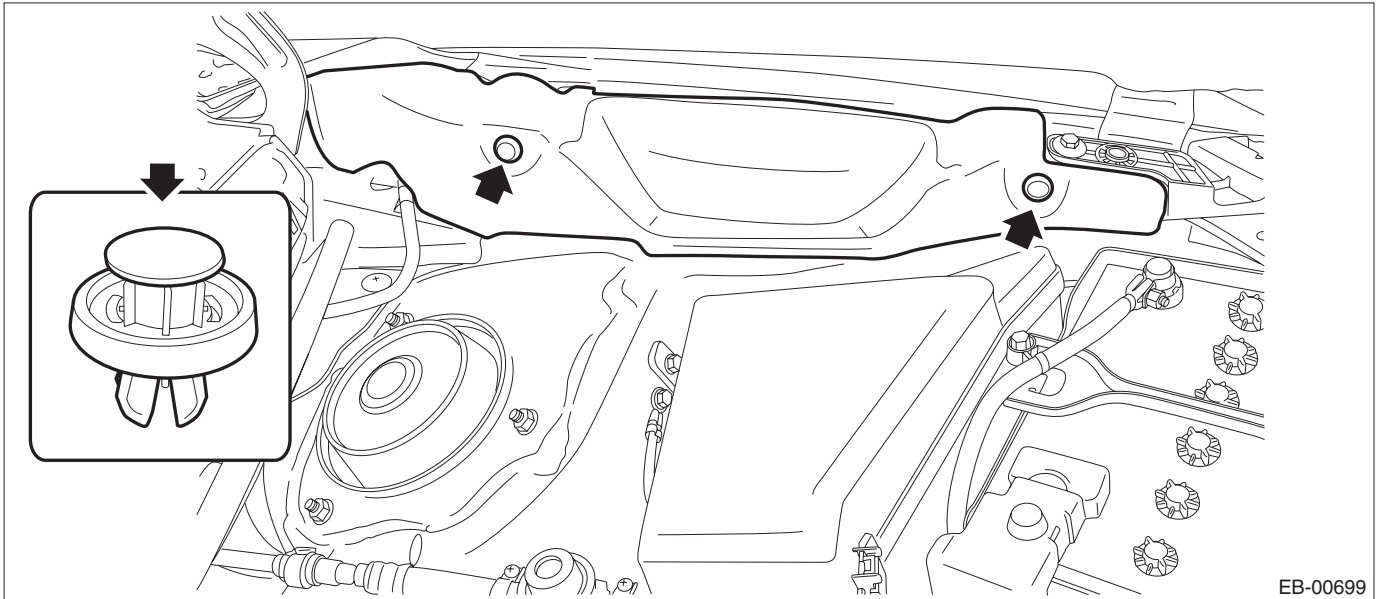
CAUTION:

The hood COMPL - front is heavy. When removing or installing the hinge COMPL - front hood, be sure to work in a group of two or more.

1) Remove the cover - front fender.

(1) Remove the clip.

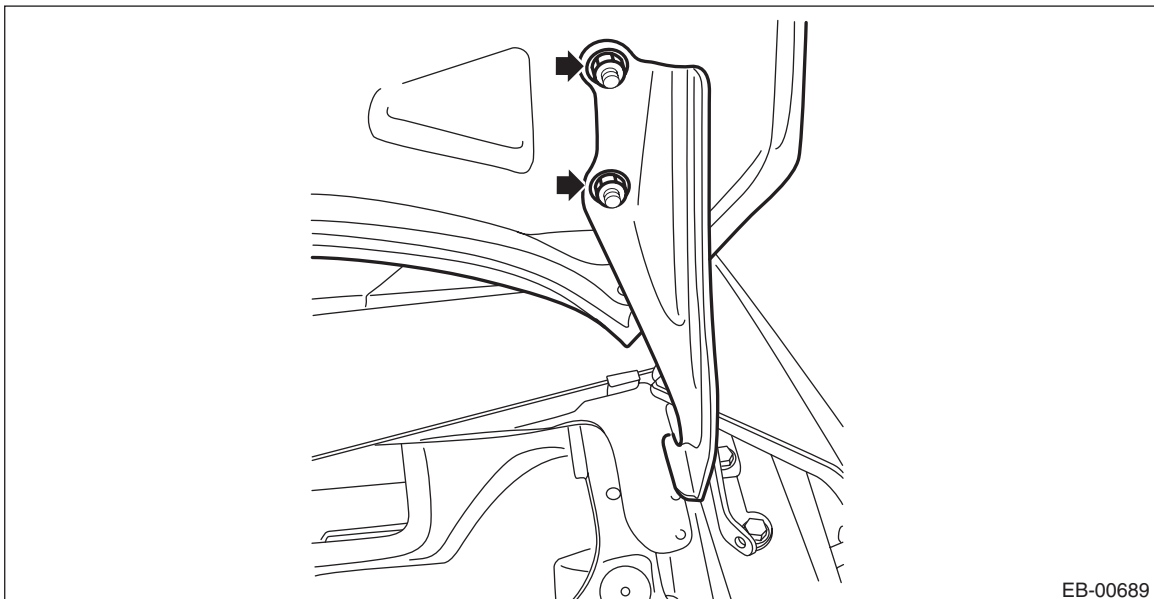
(2) Release the claws by pulling them forward, and remove the cover - front fender.



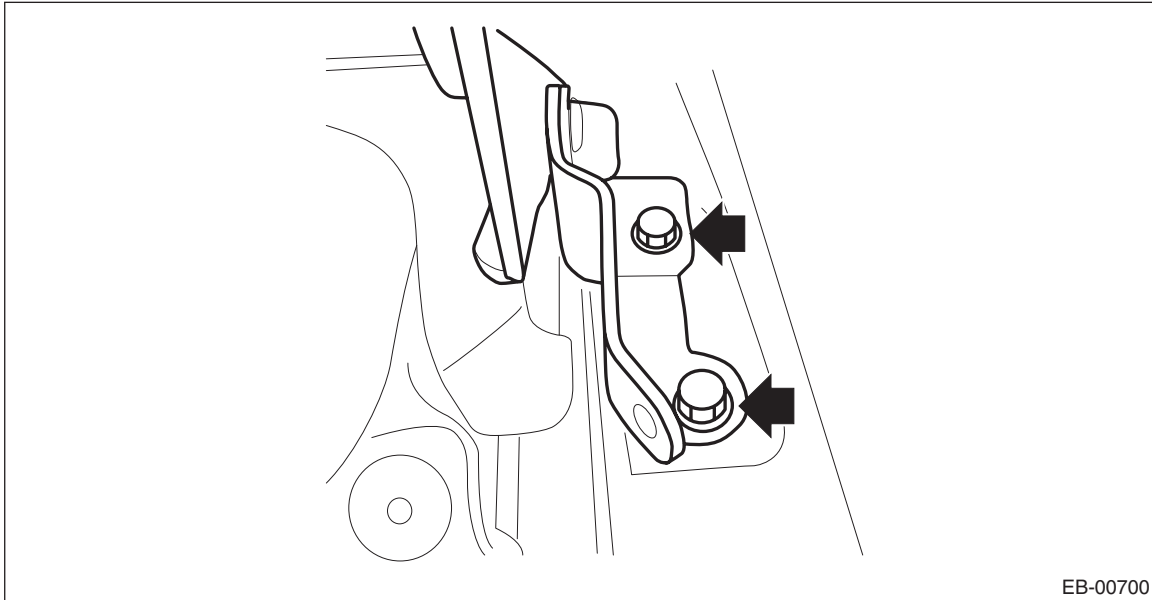
2) Remove the fender COMPL - front. <Ref. to EB-15, REMOVAL, Front Fender.>

3) Remove the hood COMPL - front.

(1) Remove the nut on the hood COMPL - front side, and remove the hood COMPL - front.



- 4) Remove the bolts, and remove the hinge COMPL - front hood.

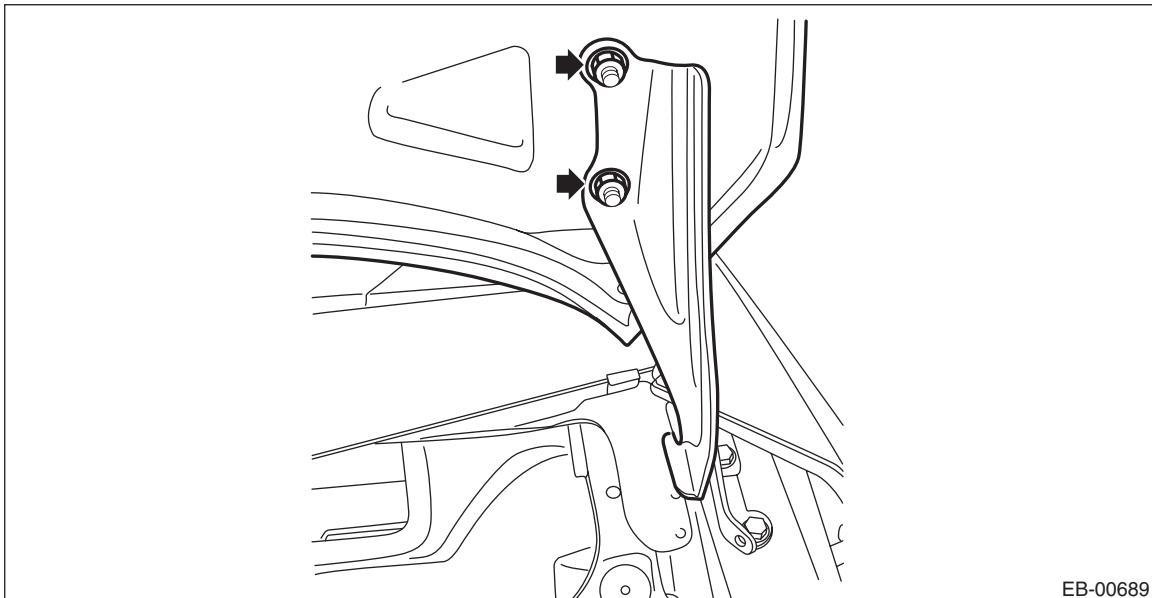


4. FRONT HOOD PANEL

CAUTION:

The hood COMPL - front is heavy. When removing or installing the hinge COMPL - front hood, be sure to work in a group of two or more.

- 1) Remove the nut on the hood COMPL - front side, and remove the hood COMPL - front.



Front Hood

EXTERIOR BODY PANELS

B: INSTALLATION

CAUTION:

The hood COMPL - front is heavy. When removing or installing the hinge COMPL - front hood, be sure to work in a group of two or more.

To install the insulator - front hood and the seal - front duct, follow the removal procedure in the reverse order. Follow the procedure below to install the hinge COMPL - front hood and the hood COMPL - front.

- 1) Install the hinge COMPL - front hood to the vehicle body. (When the hinge COMPL - front hood is removed)
- 2) Temporarily install the hood COMPL - front to the hinge COMPL - front hood.

NOTE:

When installing the hood COMPL - front, make sure that a uniform clearance is created around it.

- 3) Adjust the clearance around the hood COMPL - front. <Ref. to EB-12, ADJUSTMENT, Front Hood.>
- 4) Tighten the bolts and nuts of the hinge COMPL - front hood.

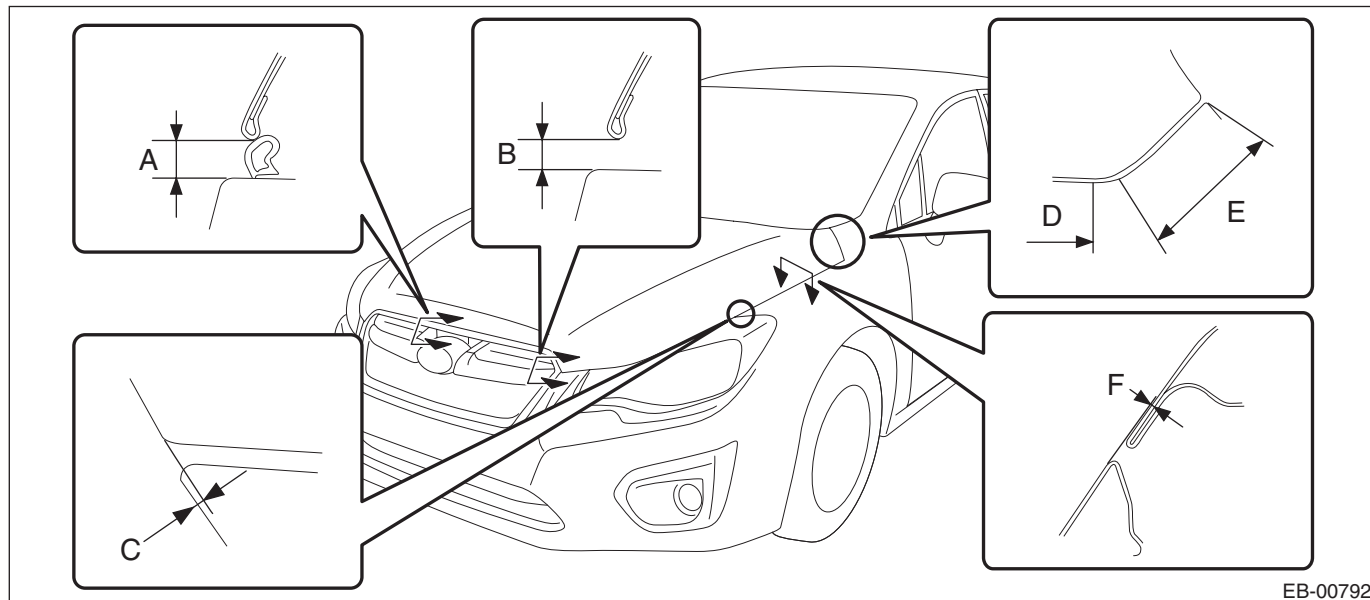
Tightening torque:

25 N·m (2.55 kgf·m, 18.4 ft·lb)

- 5) Install each part of the hood COMPL - front in the reverse order of removal.

C: ADJUSTMENT

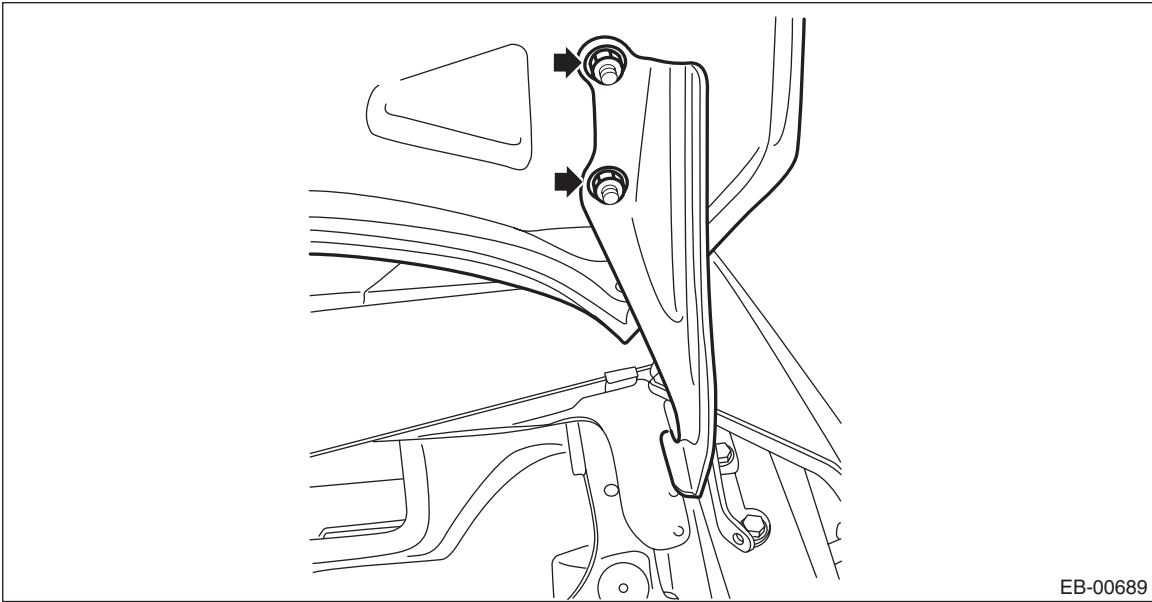
Adjust the clearance around the hood COMPL - front as follows.



EB-00792

Part		Standard
A	Hood COMPL - front to Bumper face - front	7.5±1.0 mm (0.30±0.04 in)
B	Hood COMPL - front to Bumper face - front	6.0±1.0 mm (0.24±0.04 in)
C	Offset value: Hood COMPL - front to Front end of fender COMPL - front	0+0.5, -1.0 mm (0+0.02, -0.04 in)
D	Hood COMPL - front to Fender COMPL - front (from front end to just before curved portion)	3.5±1.0 mm (0.14±0.04 in)
E	Hood COMPL - front to Fender COMPL - front (from rear end to just before curved portion)	4.5±1.0 mm (0.18±0.04 in)
F	Surface level gap: Hood COMPL - front to Fender COMPL - front	0.5+0.5, -1.0 mm (0.02+0.02, -0.04 in)

- 1) Adjust the horizontal position of the hood COMPL - front.
 - (1) Loosen the attaching nuts of the hinge COMPL - front hood on the left and right sides.



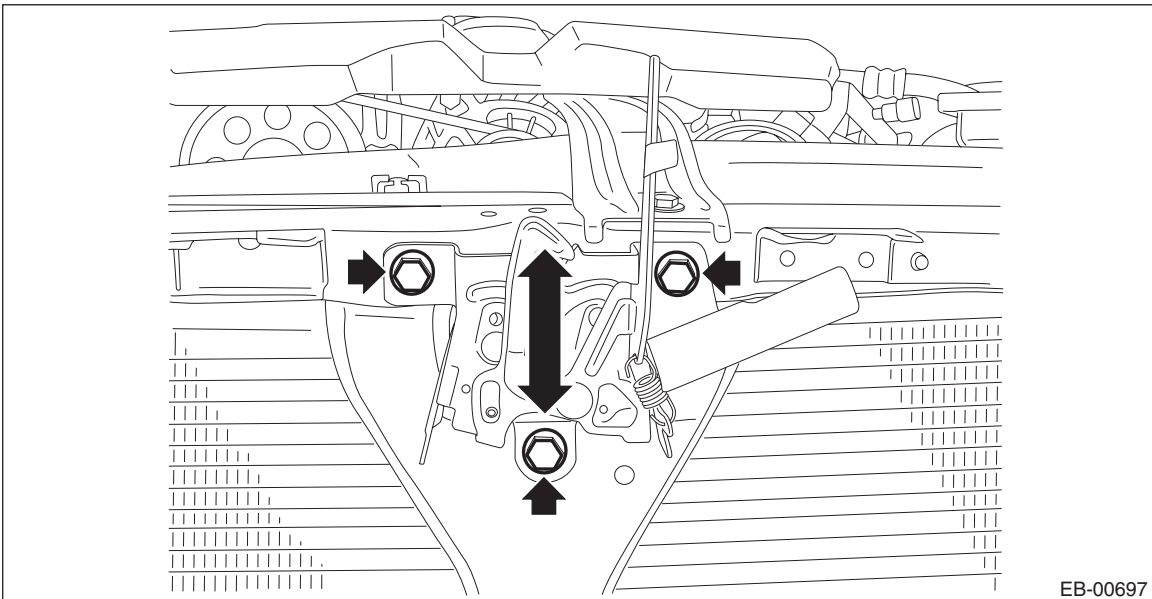
EB-00689

- (2) Adjust the horizontal clearance of the hood COMPL - front, and tighten the attaching nuts of the hinge COMPL - front hood.

Tightening torque:

25 N-m (2.55 kgf-m, 18.4 ft-lb)

- 2) Adjust the front end height of the hood COMPL - front.
 - (1) Loosen the bolts on the lock assembly - front hood.
 - (2) Adjust the lock assembly - front hood by moving it up and down.



EB-00697

Tightening torque:

33 N-m (3.36 kgf-m, 24.3 ft-lb)

Front Hood

EXTERIOR BODY PANELS

3) Rotate the buffer - front hood of the hood COMPL - front to adjust the height.

