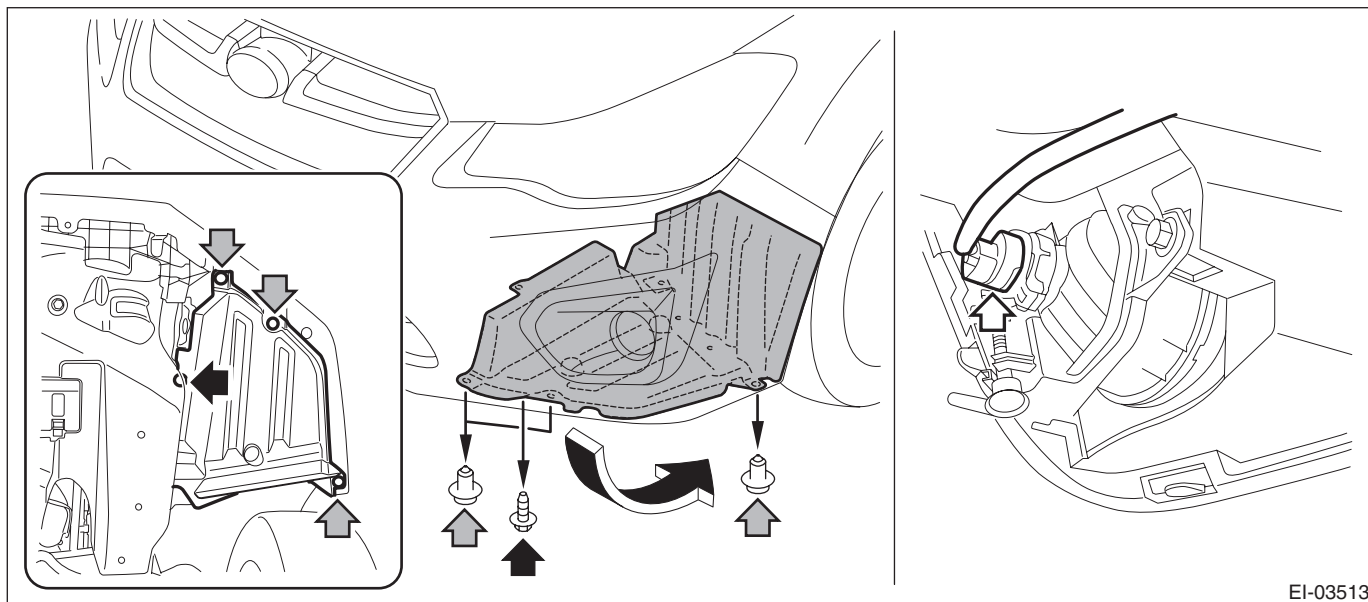


3. Front Fender

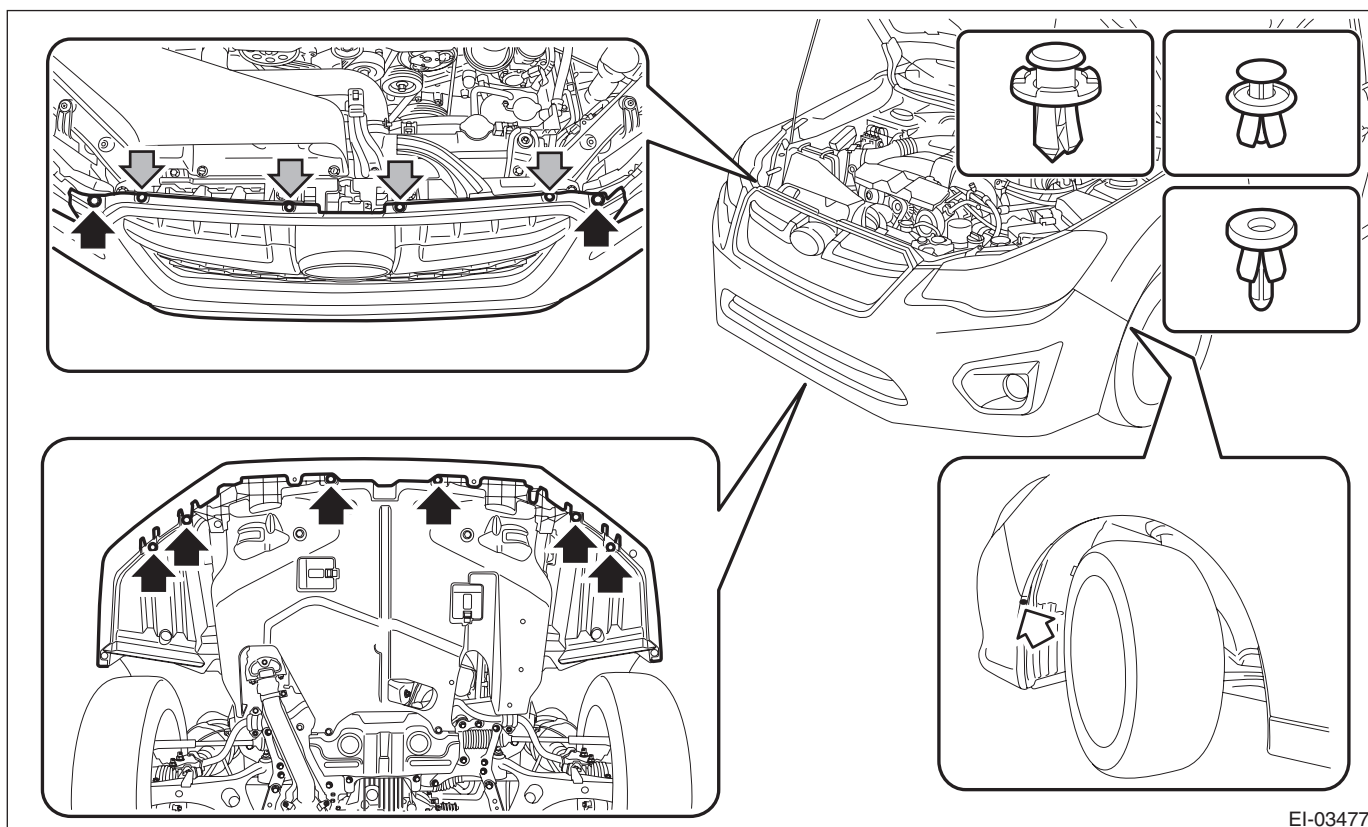
A: REMOVAL

- 1) Disconnect the ground cable from battery.
- 2) Remove the bumper face - front.
 - (1) Remove the screw and clips, and turn over the mud guard - front.
 - (2) Disconnect the connectors of the left and right fog light assembly - front. (Model with fog light)



EI-03513

- (3) Remove the clips at the upper side of the bumper face - front.
- (4) Remove the clips from the fender.
- (5) Remove the clips at the lower side of the bumper face - front.



EI-03477

- (6) Apply protective tape (A) to the light assembly - head.

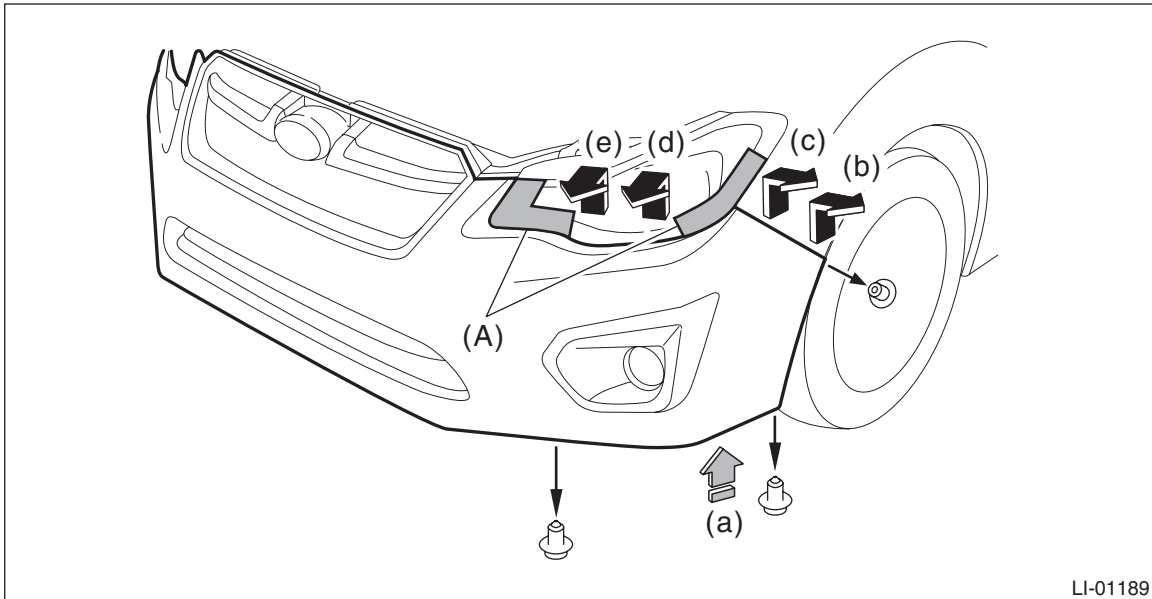
Front Fender

EXTERIOR BODY PANELS

(7) Release the clips, and while pushing up the lower side (a) of the bumper face - front, remove in the order from (b) to (e).

CAUTION:

Do not pull forcibly. It may damage the flange sections of the bumper face - front.



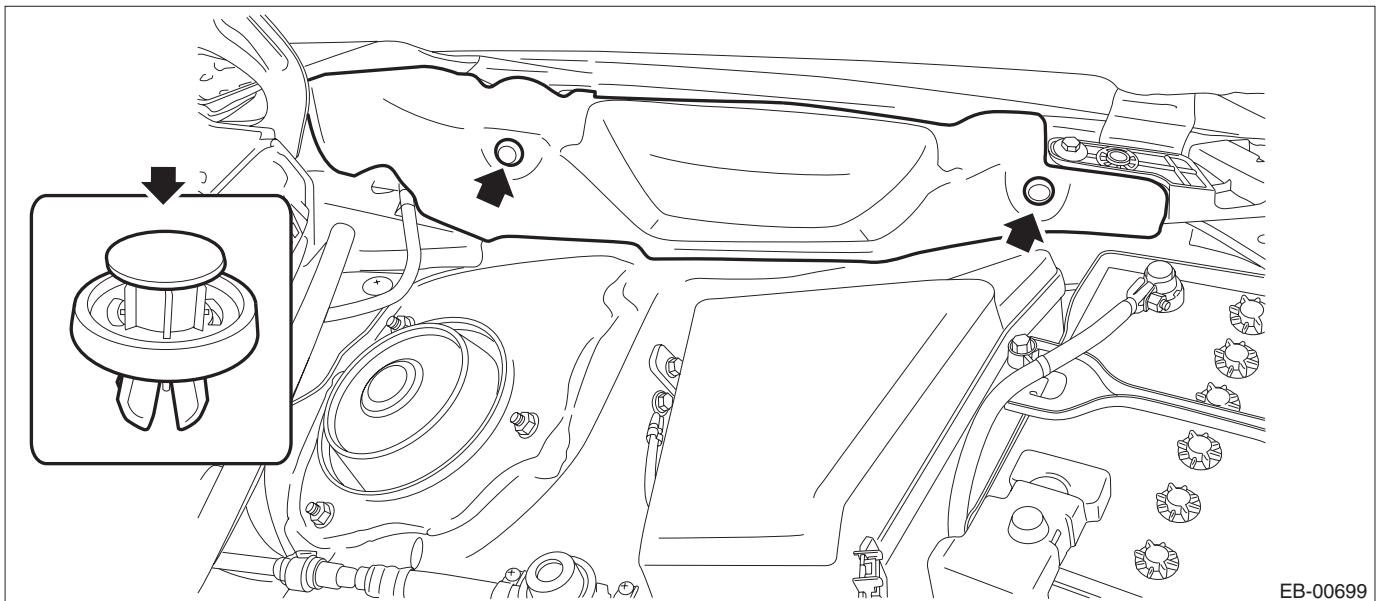
NOTE:

Detach the opposite side in the same manner.

3) Remove the cover - front fender.

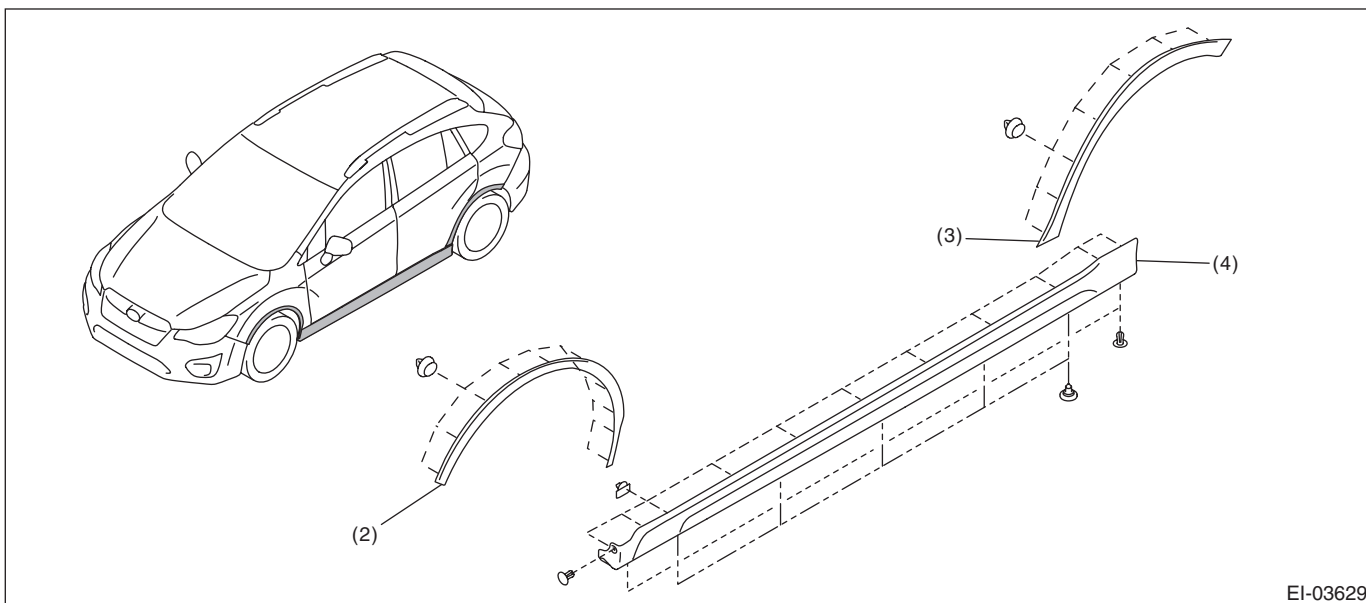
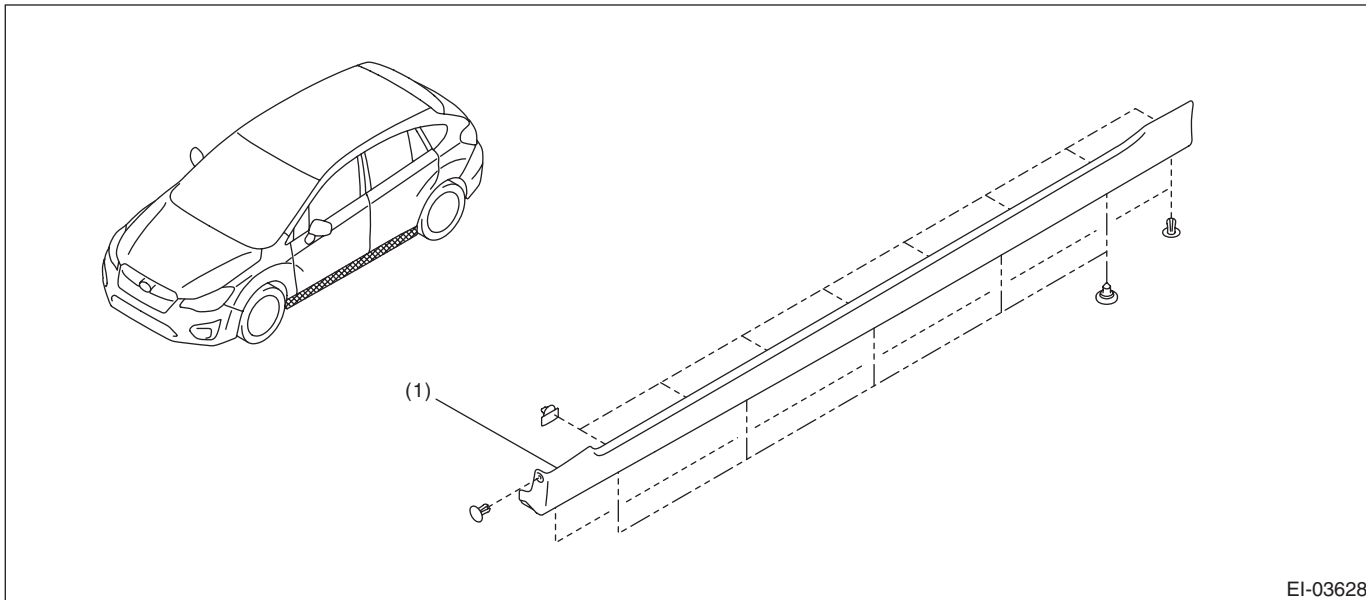
(1) Remove the clip.

(2) Release the claws by pulling them forward, and remove the cover - front fender.



(3) Remove the light assembly - head. <Ref. to LI-27, WHEN REMOVING RH SIDE, REMOVAL, Head-light Assembly.>

4) Remove the clips and detach the side sill spoiler assembly.



(1) Garnish ASSY - side sill (except for XV model)

(3) Garnish ASSY - rear quarter (XV model)

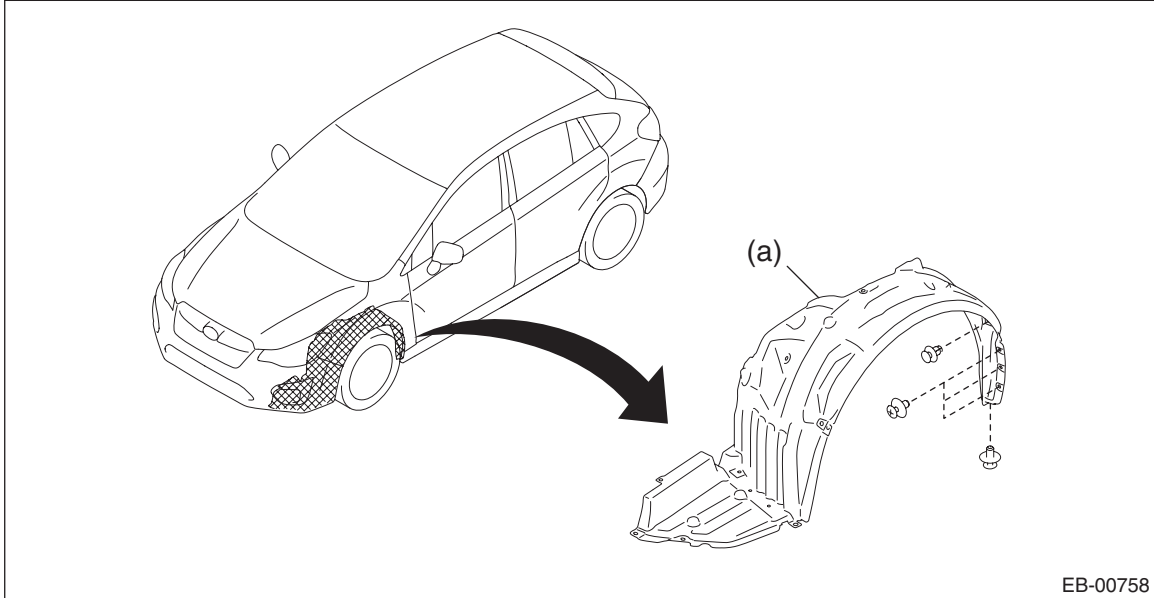
(4) Garnish ASSY - side sill (XV model)

(2) Garnish ASSY - fender (XV model)

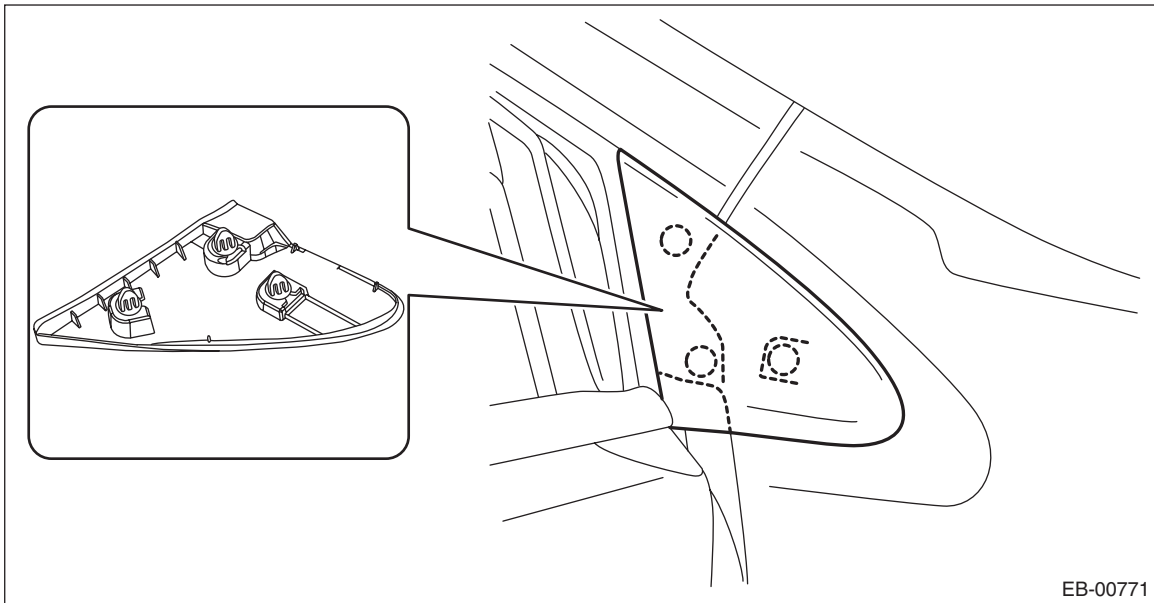
Front Fender

EXTERIOR BODY PANELS

5) Remove the clips, and turn over the mud guard - front (a).

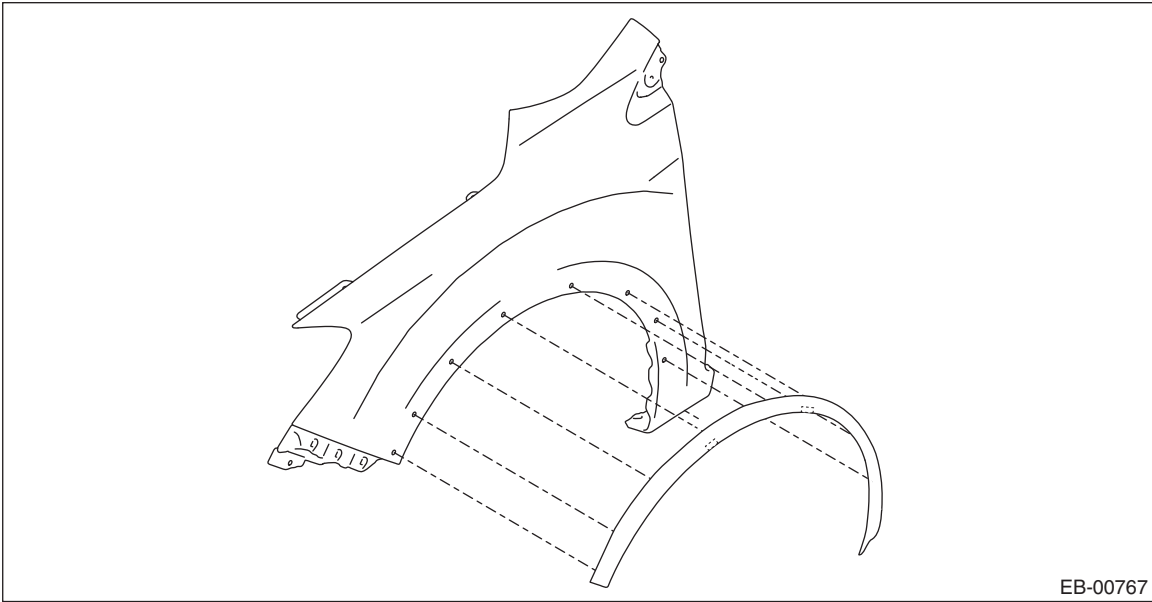


6) Remove the cover - front pillar assembly.



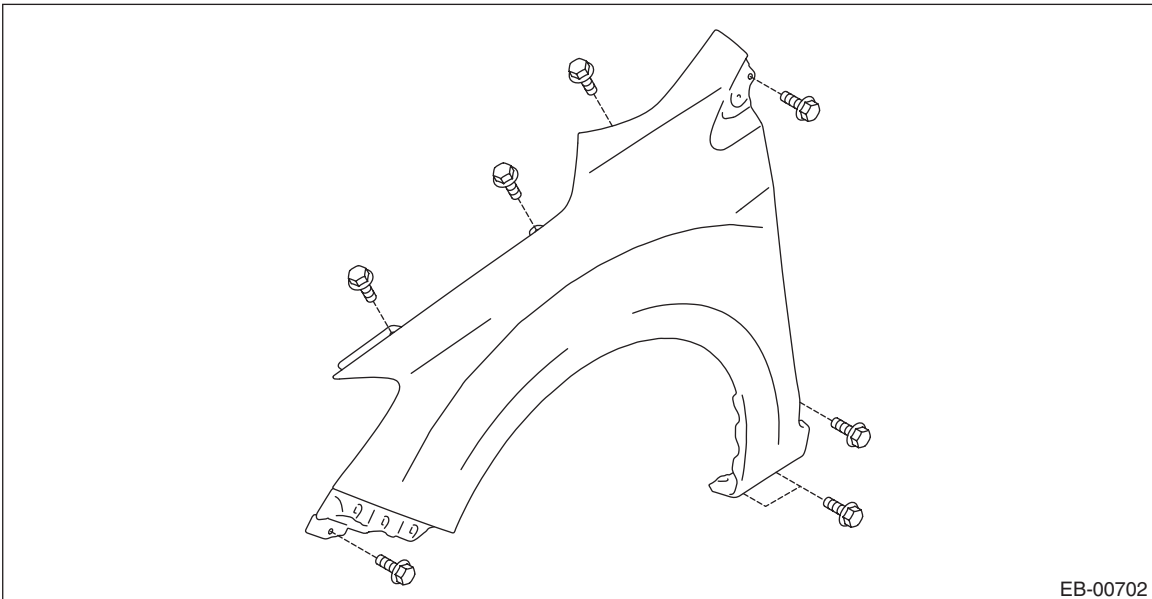
7) Remove the fender COMPL - front.

(1) Remove the garnish assembly - front fender. (XV model)



EB-00767

(2) Remove the bolts, and remove the fender COMPL - front.



EB-00702

Front Fender

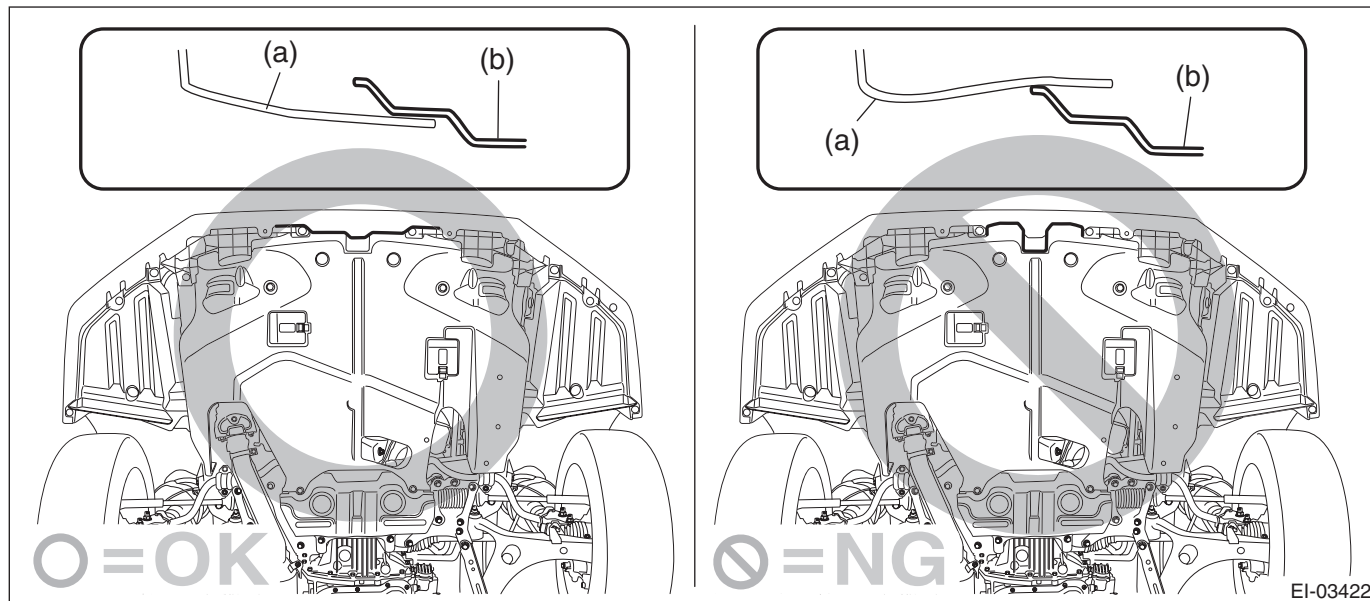
EXTERIOR BODY PANELS

B: INSTALLATION

1) Install each part in the reverse order of removal.

CAUTION:

- After installing the fender COMPL - front, be sure to perform headlight beam adjustment.
- Install the bumper face - front so that the front end of the under cover (b) comes inside the bumper face - front (a).



Tightening torque:

Fender COMPL - front: 7.5 N·m (0.76 kgf-m, 5.5 ft-lb)

Light assembly - head: 7.5 N·m (0.76 kgf-m, 5.5 ft-lb)

NOTE:

When installing the fender COMPL - front, make sure that a uniform clearance is created around it.

- Fender COMPL - front to Hood COMPL - front: <Ref. to EB-12, ADJUSTMENT, Front Hood.>
- Fender COMPL - front to Panel assembly - front door: <Ref. to EB-28, ADJUSTMENT, Front Door.>

2) Adjust the headlight beam and fog light beam.

- Adjust the headlight beam. <Ref. to LI-34, HEADLIGHT BEAM ADJUSTMENT, ADJUSTMENT, Headlight Assembly.>
- Adjust the fog light beam. (Model with fog light) <Ref. to LI-54, FOG LIGHT AIMING, ADJUSTMENT, Front Fog Light Assembly.>