

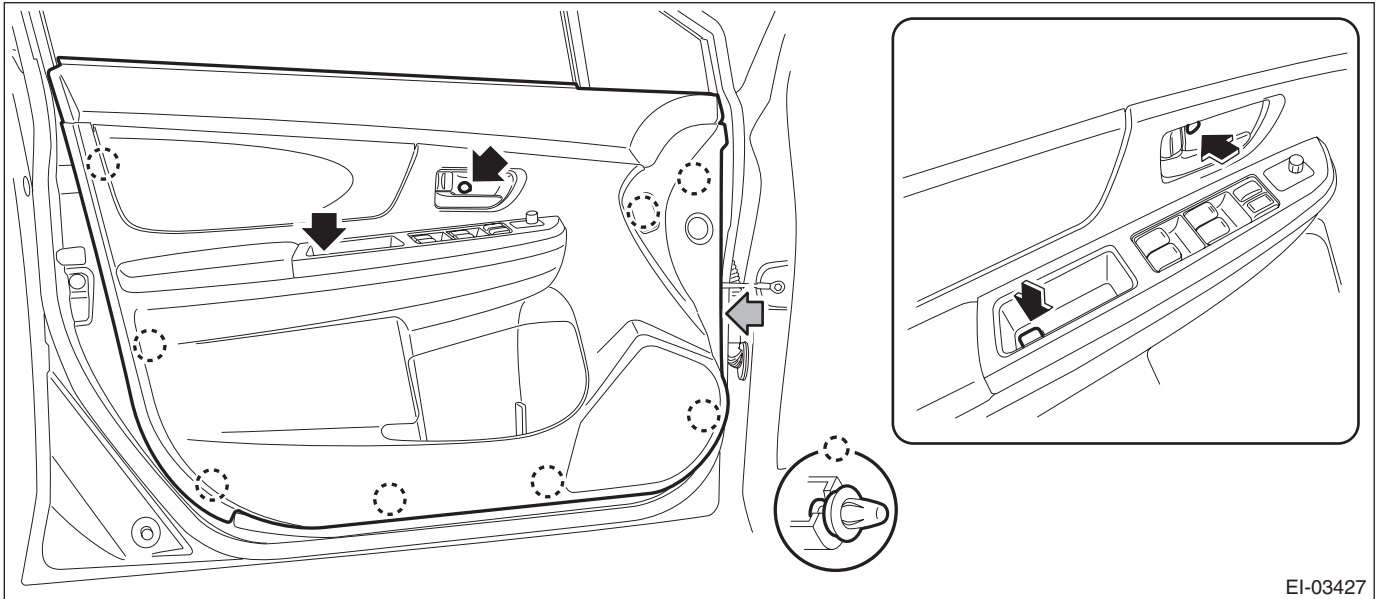
Front Sealing Cover

EXTERIOR BODY PANELS

5. Front Sealing Cover

A: REMOVAL

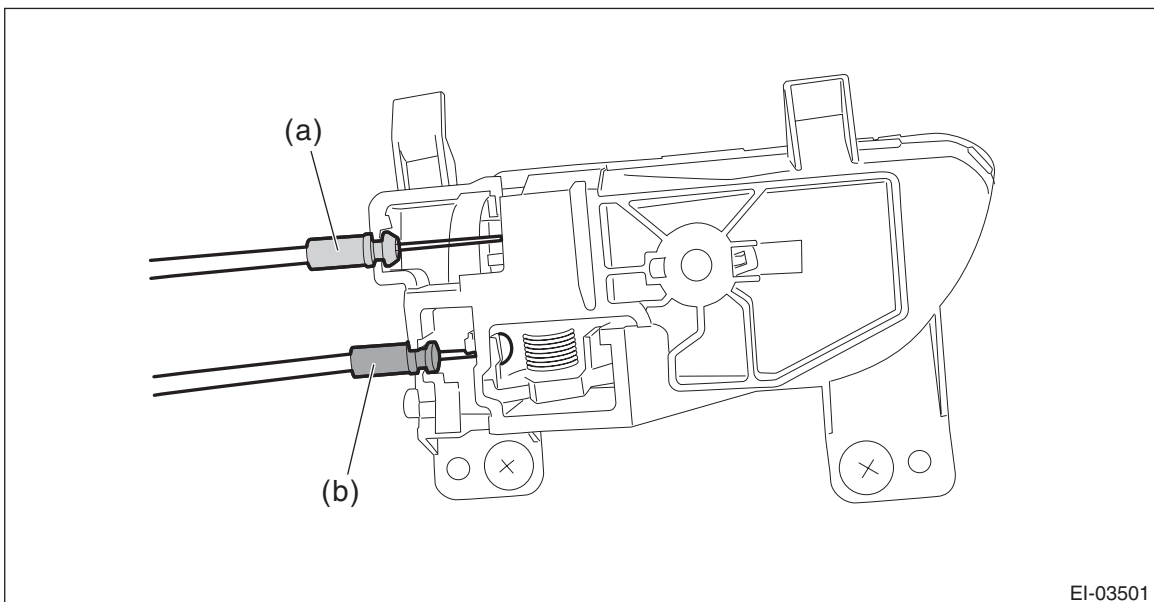
- 1) Disconnect the ground cable from battery.
- 2) Remove the trim panel - front door.
 - (1) Open the cover and remove the screw.
 - (2) Remove the clips, and remove the trim panel - front door from the panel assembly - front door.



NOTE:

It is easier to remove the trim panel - front door if the removal is performed from the gray arrow section.

- (3) Detach the door lock cable (a) and door open cable (b) from the remote assembly - door.

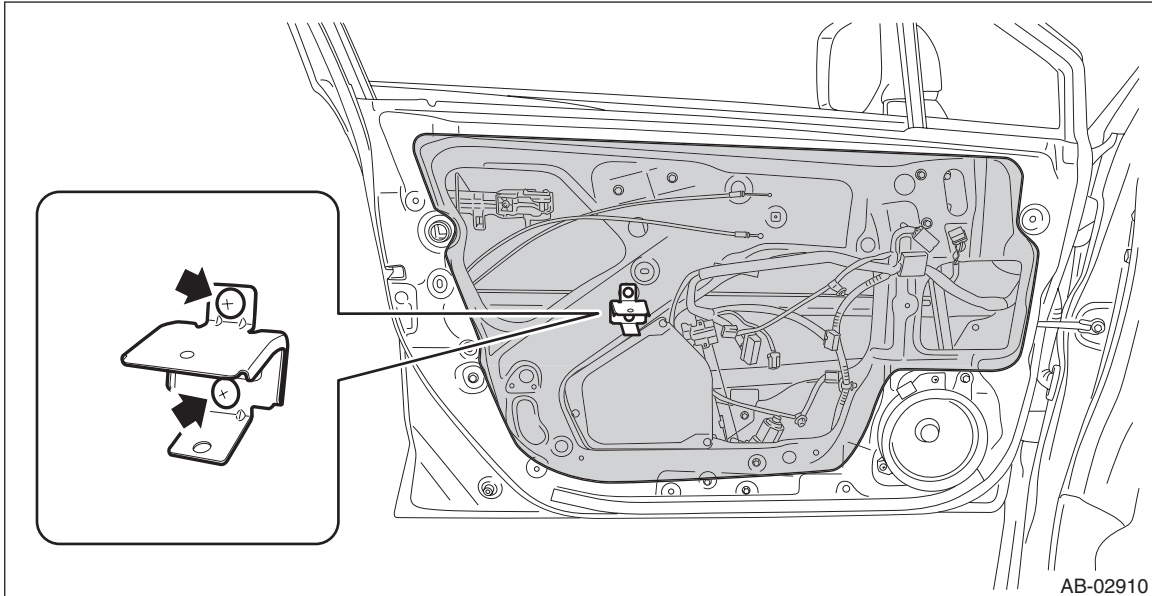


- (4) Disconnect the harness connector and remove the trim panel - front door.

3) Remove the sealing cover - front door.

CAUTION:

- Carefully remove the butyl tape. Excessive force will easily break the cover.
- If the sealing cover - front door gets broken, replace it with a new part.
 - (1) Remove the screw to remove the bracket - door trim front.
 - (2) Carefully remove the butyl tape to remove the sealing cover - front door.



B: INSTALLATION

CAUTION:

- If the sealing cover - front door gets broken, replace it with a new part.
 - Apply a uniform bead of butyl tape.
 - Attach the sealing cover - front door, keeping it from becoming wrinkled.
 - Breaks in the bead will allow water leakage and contamination.
- 1) Install each part in the reverse order of removal.
 - 2) When replacing the sealing cover - front door, use the butyl tape.
 - 3) Press the butyl tape-applied area firmly to prevent any floating on surface.

Butyl tape:

3M8626 or the equivalent

C: INSPECTION

If the sealing cover - front door is broken, replace it with a new part.