

# Door Sash Tape

## EXTERIOR BODY PANELS

### 8. Door Sash Tape

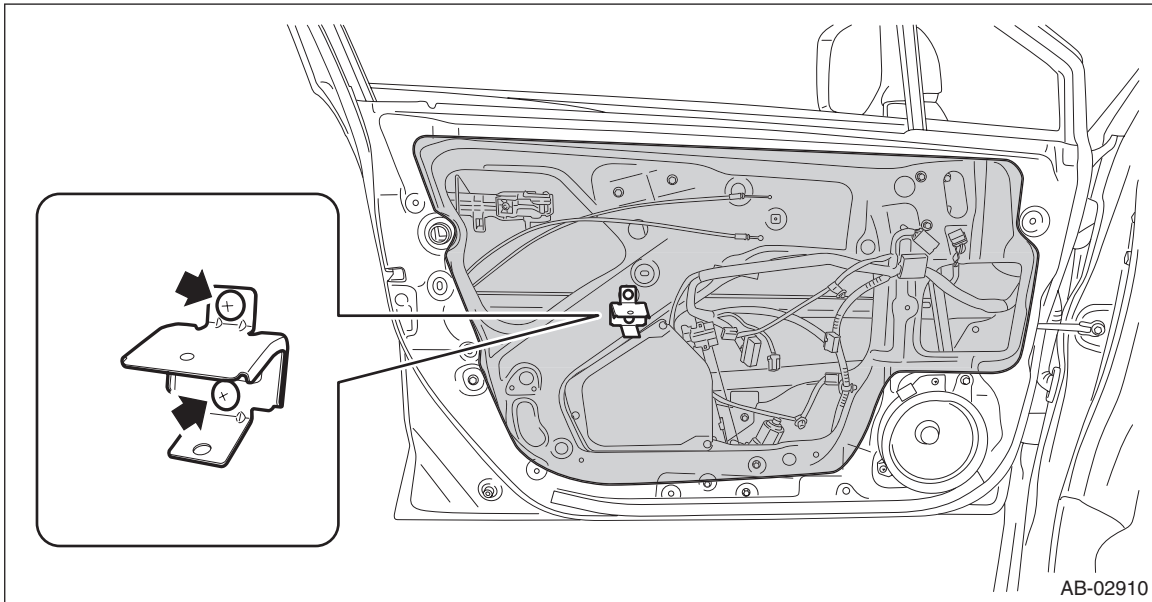
#### A: REMOVAL

##### 1. FRONT DOOR

- 1) Disconnect the ground cable from battery.
- 2) Remove the trim panel - front door. <Ref. to EI-61, FRONT DOOR, REMOVAL, Door Trim.>
- 3) Remove the outer mirror assembly. <Ref. to GW-27, REMOVAL, Outer Mirror Assembly.>
- 4) Remove the sealing cover - front door.

#### CAUTION:

- Carefully remove the butyl tape. Excessive force will easily break the cover.
- If the sealing cover - front door gets broken, replace it with a new part.

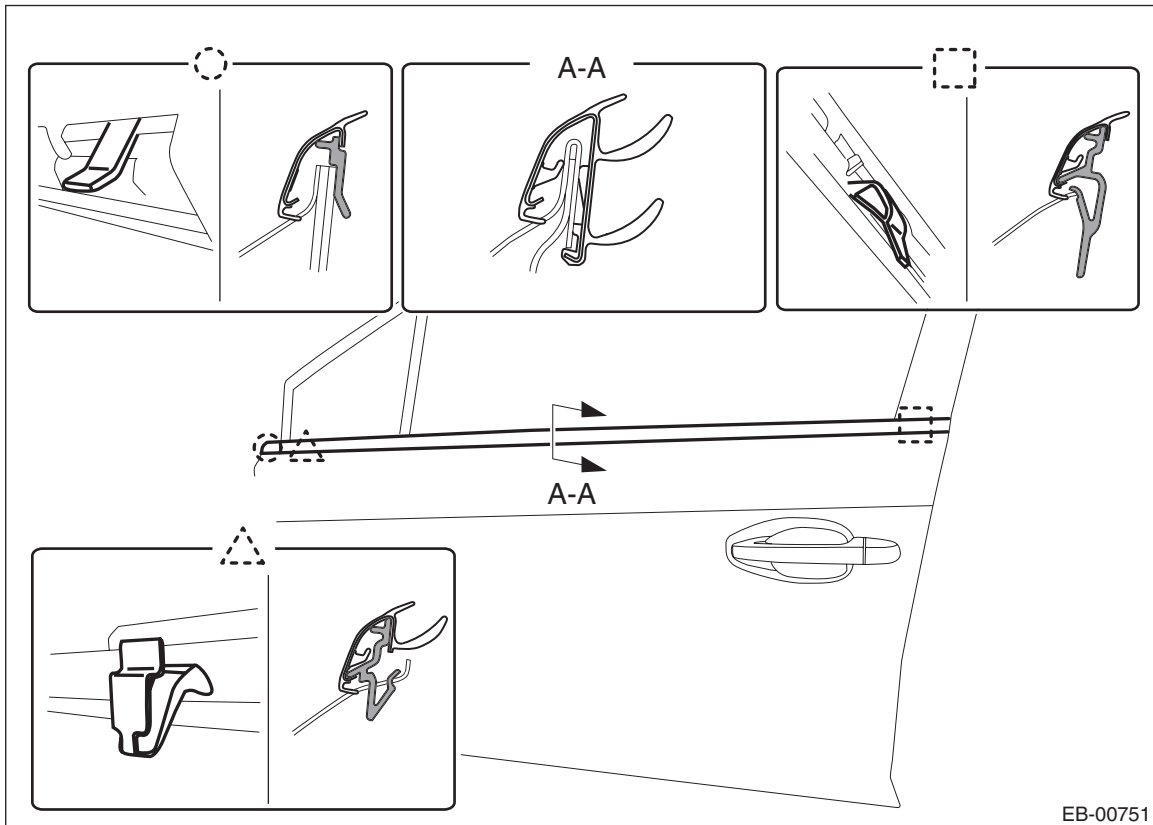


- 5) Remove the glass assembly - front door. <Ref. to GW-18, REMOVAL, Front Door Glass.>
- 6) Remove the running channel - front door.

7) Remove the weather strip outer - front door.

**CAUTION:**

- When removing the weather strip outer, be careful not to damage the vehicle.
- Do not reuse the weather strip outer. Always replace with a new part.



8) Peel the door sash tape from the door sash.

**NOTE:**

- If the tape is difficult to detach, warm it by a hot air drier. Use a household hairdryer. Do not use industrial dryers.
- If tape residue is remaining on the door sash, wipe clean.

# Door Sash Tape

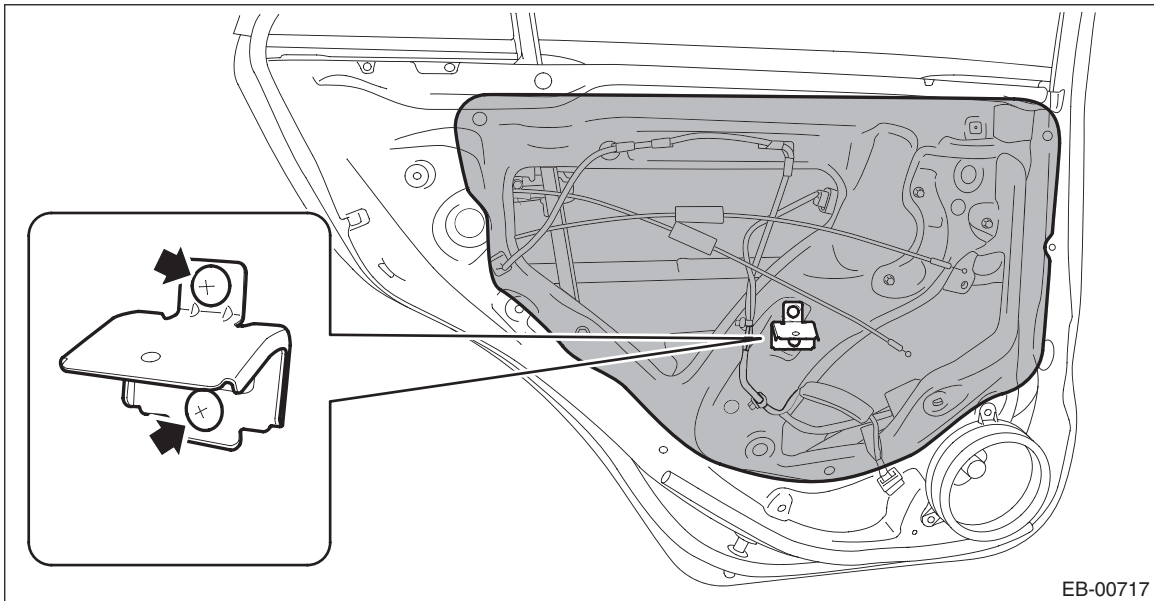
## EXTERIOR BODY PANELS

### 2. REAR DOOR

- 1) Disconnect the ground cable from battery.
- 2) Remove the trim panel - rear door. <Ref. to EI-62, REAR DOOR, REMOVAL, Door Trim.>
- 3) Remove the sealing cover - rear door.

#### CAUTION:

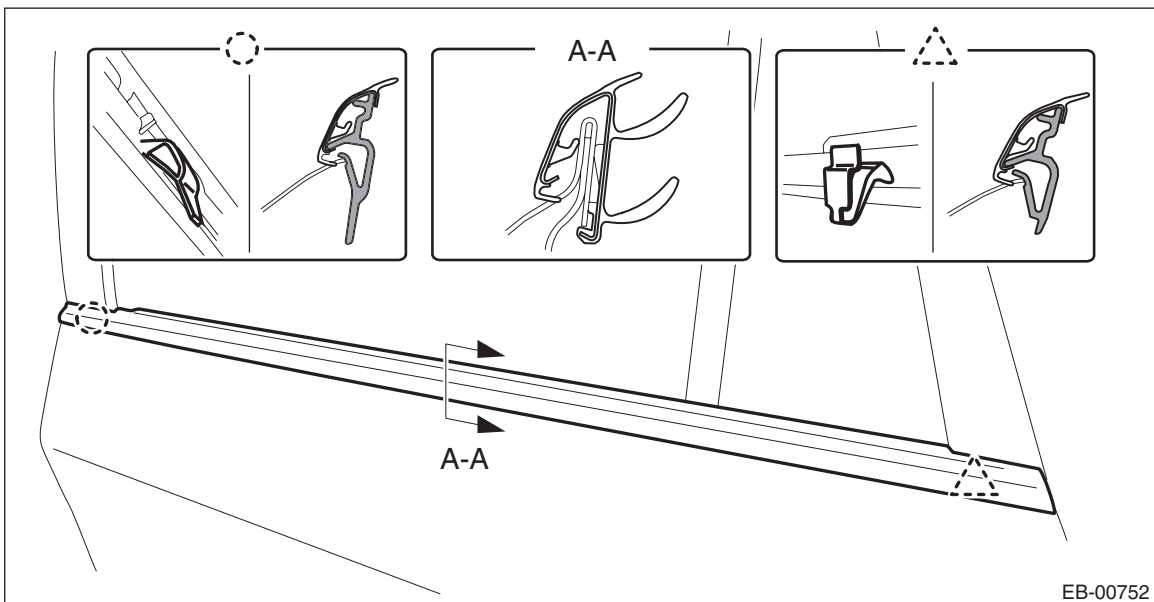
- Carefully remove the butyl tape. Excessive force will easily break the cover.
- If the sealing cover - rear door gets broken, replace it with a new part.



- 4) Remove the glass assembly - rear door. <Ref. to GW-34, REMOVAL, Rear Door Glass.>
- 5) Remove the running channel - rear door.
- 6) Remove the weather strip outer - rear door.

#### CAUTION:

- When removing the weather strip outer, be careful not to damage the vehicle.
- Do not reuse the weather strip outer. Always replace with a new part.



7) Peel the door sash tape from the door sash.

**NOTE:**

- If the tape is difficult to detach, warm it by a hot air drier. Use a household hairdryer. Do not use industrial dryers.
- If tape residue is remaining on the door sash, wipe clean.

## **B: INSTALLATION**

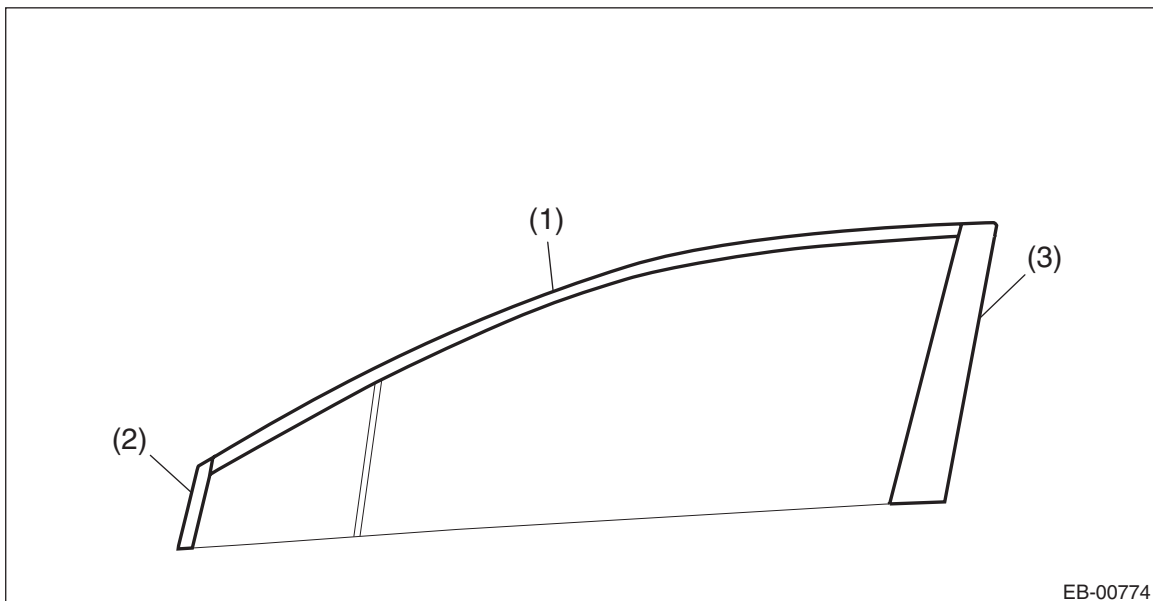
**CAUTION:**

- Do not reuse the removed door sash tape. Replace it with a new tape.
- Press evenly along the sash when applying the tape using a spatula or similar object to make sure no bubbles are formed.

If air bubbles are formed, reapply the tape.

- If the tape is wrinkled, etc. during application, replace the tape.
- Be sure to press the ends of the tape firmly to adhere securely. If the tape comes off at the ends or where folded, the adhesive strength is weakened and the tape may peel off.
- There are locations where the tape ends will overlap each other. When applying the tape, be careful of the order of their application.

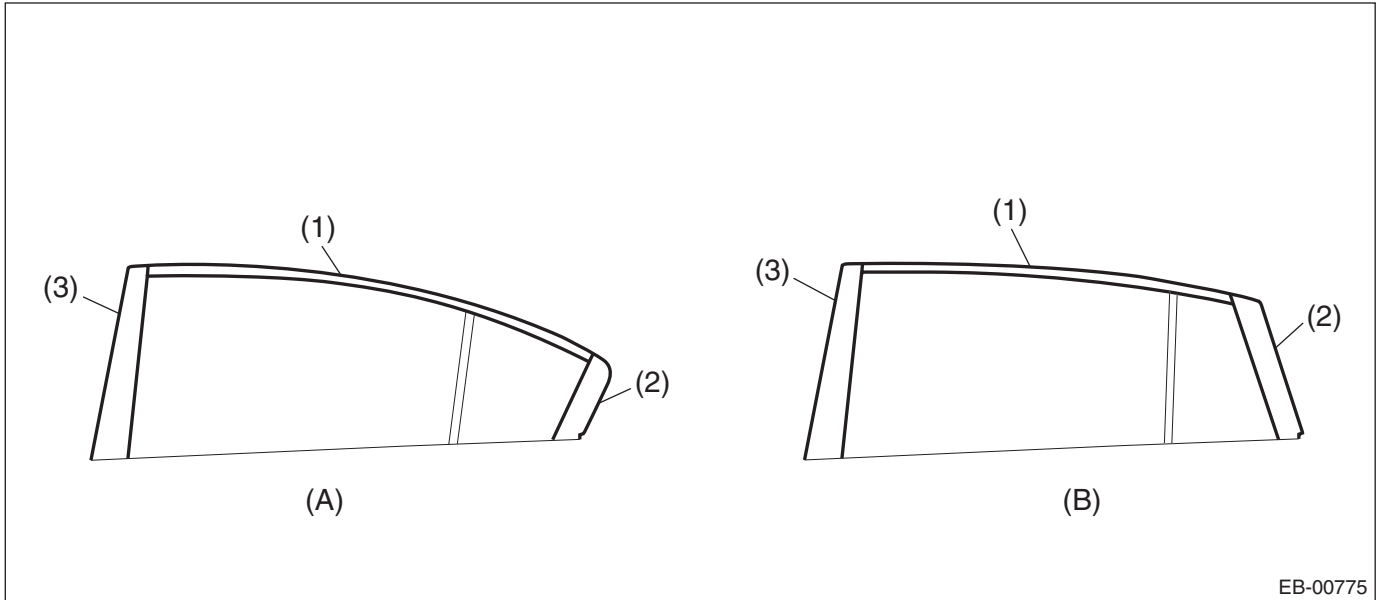
- Front



# Door Sash Tape

## EXTERIOR BODY PANELS

### • Rear



EB-00775

(A) 4 door model

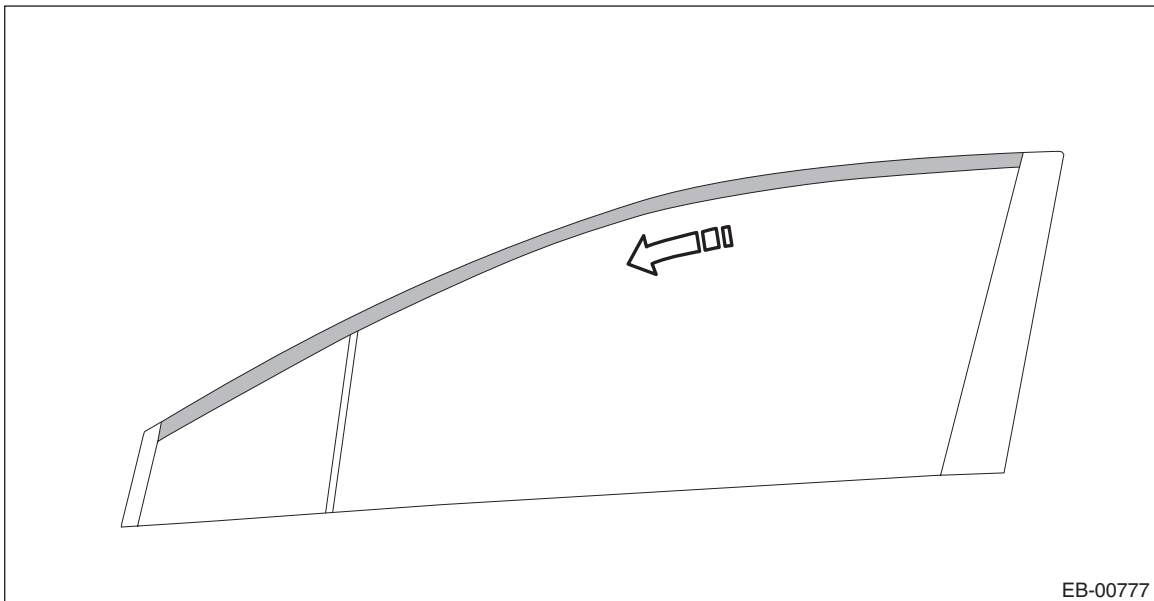
(B) 5 door model/XV model

## 1. FRONT DOOR

1) Apply the front door sash tape - medium from the rear of the vehicle towards the front.

NOTE:

Apply the end of the tape to the position shown in the figure.



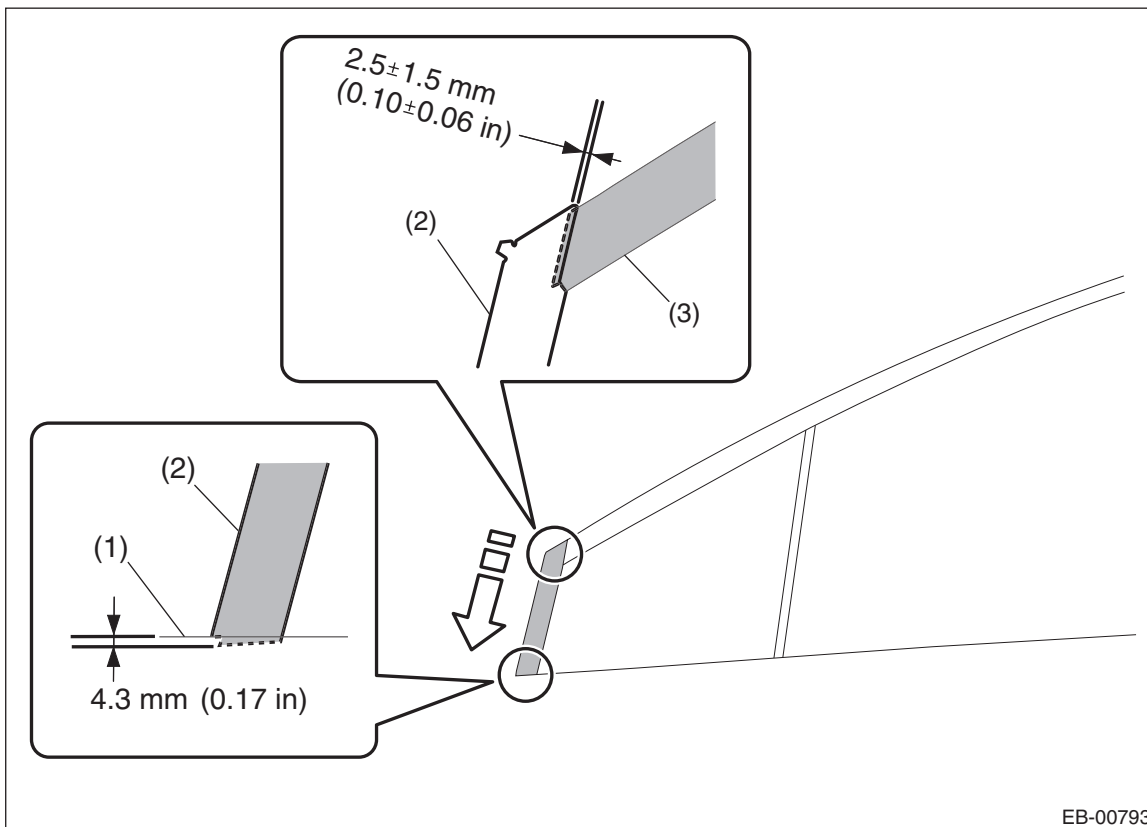
EB-00777

# Door Sash Tape

2) Apply the front door sash tape - front from the top of the vehicle towards the bottom.

NOTE:

Apply the end of the tape to the position shown in the figure.



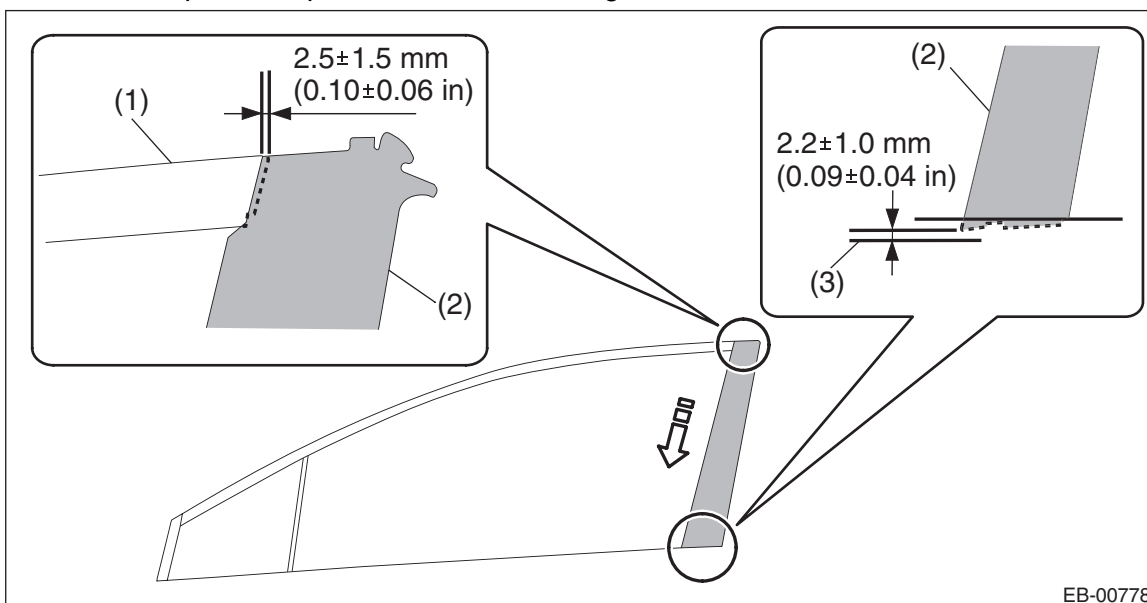
EB-00793

- (1) Upper end of weather strip      (2) Front door sash tape - front      (3) Front door sash tape - medium

3) Apply the front door sash tape - rear from the top of the vehicle towards the bottom.

NOTE:

Apply the end of the tape to the position shown in the figure.



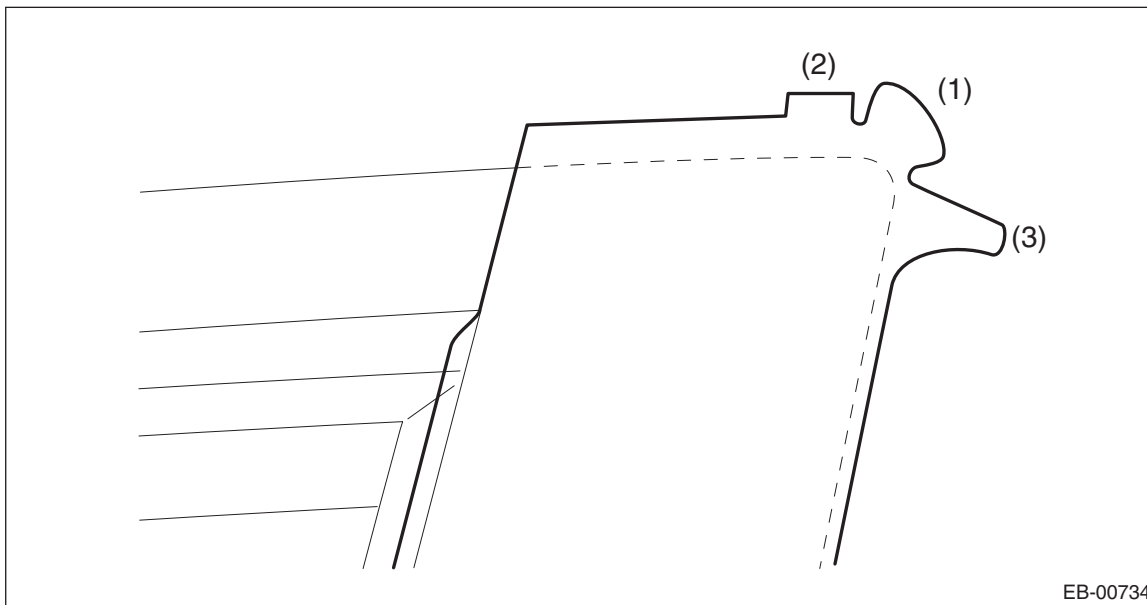
EB-00778

- (1) Front door sash tape - medium      (2) Front door sash tape - rear      (3) End of panel outer

# Door Sash Tape

## EXTERIOR BODY PANELS

4) Fold the corners at the door upper end area in the order of (1) - (3).



5) Thereafter, install door parts in the reverse order of disassembly.

6) When installing the panel assembly - front door, make sure that a uniform clearance is created around the panel. For the dimension of clearance, refer to "SPECIFICATION" in "General Description". <Ref. to EB-2, SPECIFICATION, General Description.>

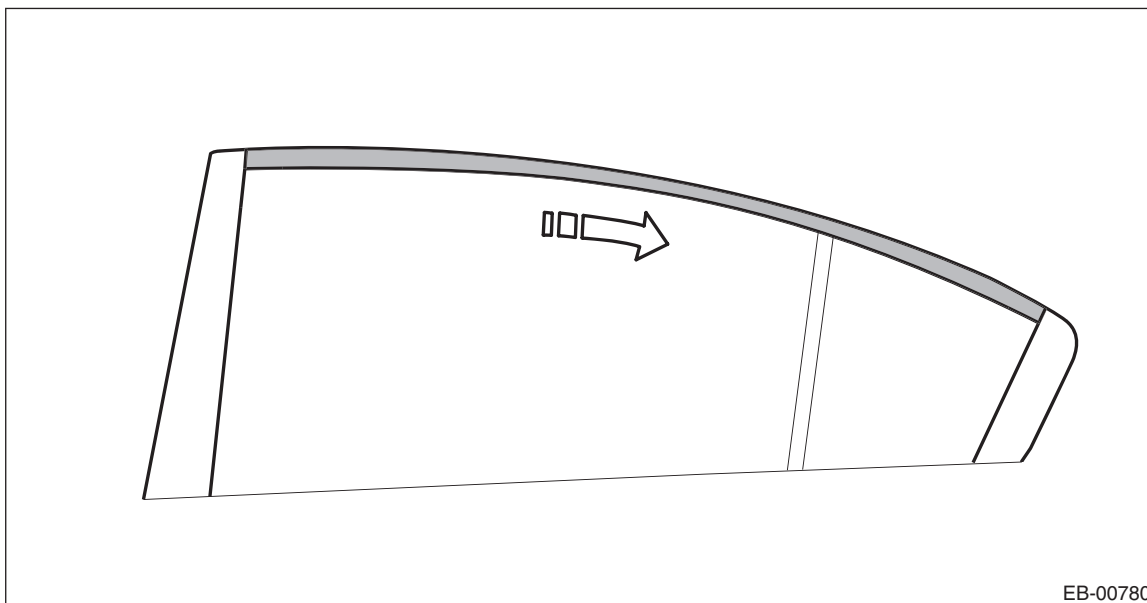
## 2. REAR DOOR

### 4 door model

1) Apply the rear door sash tape - medium from the front of the vehicle towards the rear.

NOTE:

Apply the end of the tape to the position shown in the figure.

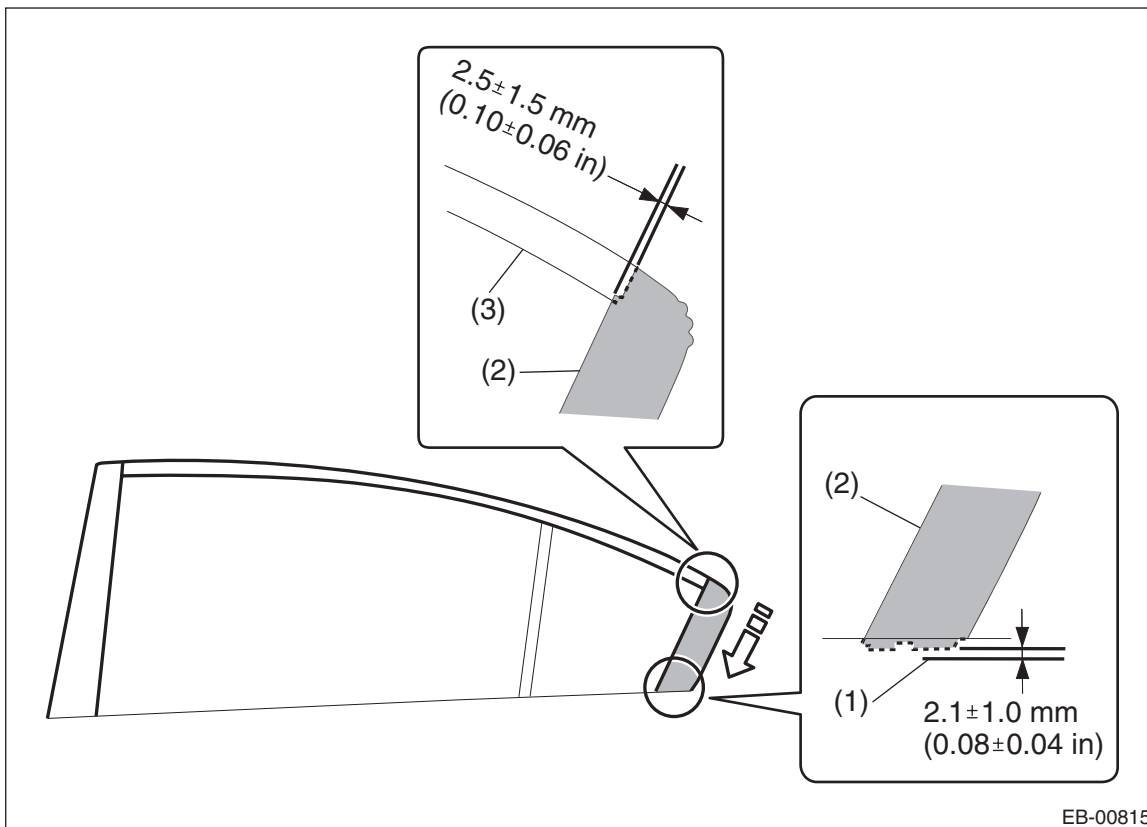


# Door Sash Tape

2) Apply the rear door sash tape - rear from the top of the vehicle towards the bottom.

NOTE:

Apply the end of the tape to the position shown in the figure.



(1) End of panel outer

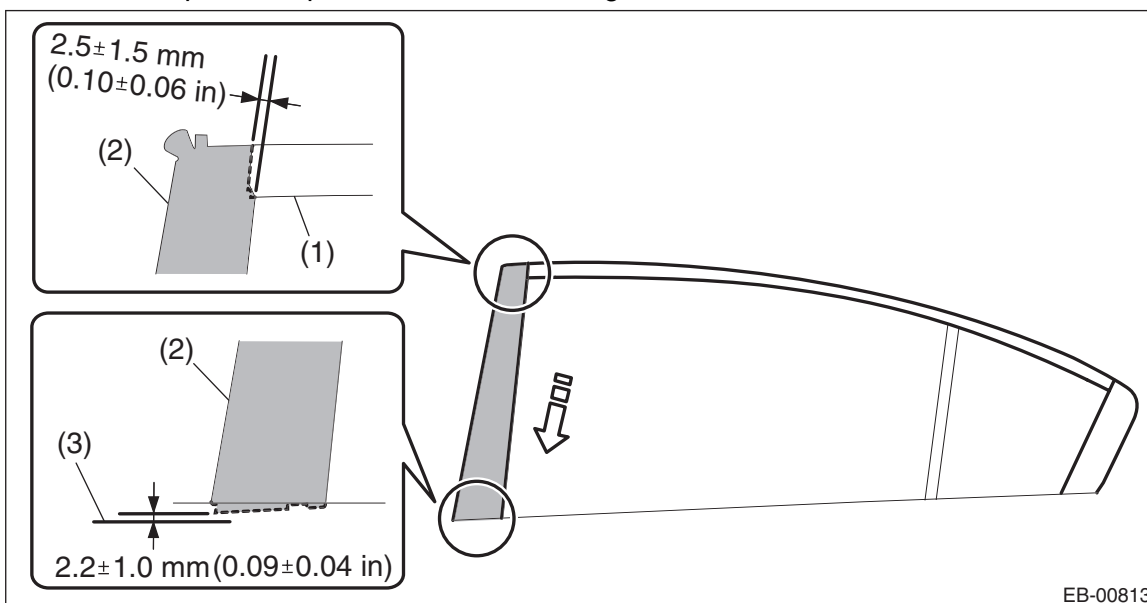
(2) Rear door sash tape - rear

(3) Rear door sash tape - medium

3) Apply the rear door sash tape - front from the top of the vehicle towards the bottom.

NOTE:

Apply the end of the tape to the position shown in the figure.



(1) Rear door sash tape - medium

(2) Rear door sash tape - front

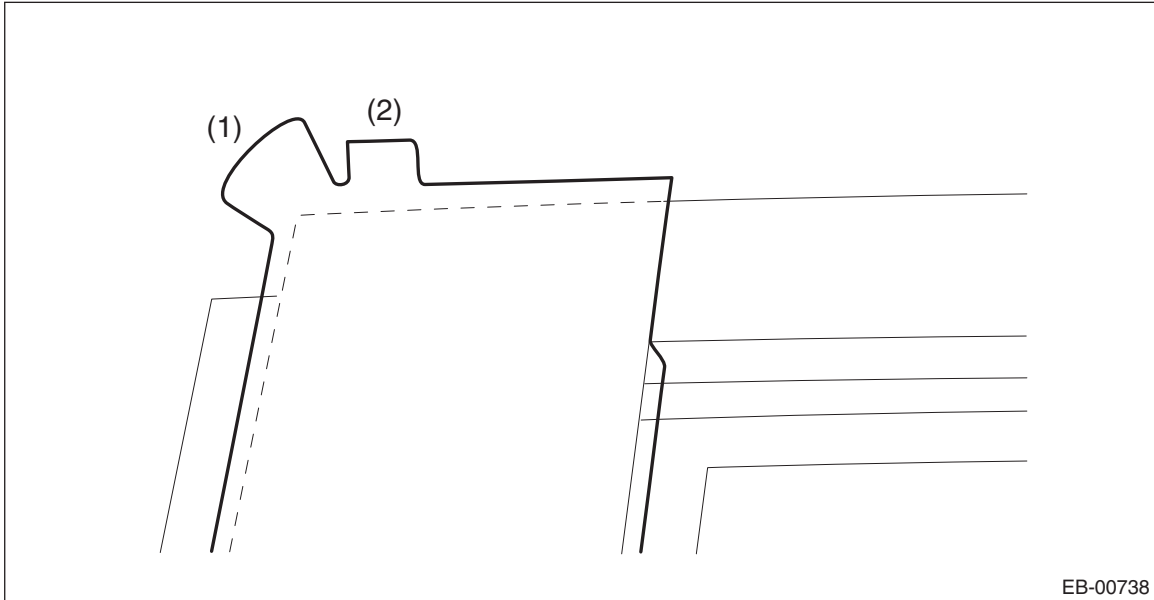
(3) End of panel outer



# Door Sash Tape

## EXTERIOR BODY PANELS

4) Fold the corners at the door upper end area in the order of (1) - (2).



5) Thereafter, install door parts in the reverse order of disassembly.

6) When installing the panel assembly - front door, make sure that a uniform clearance is created around the panel. For the dimension of clearance, refer to "SPECIFICATION" in "General Description". <Ref. to EB-2, SPECIFICATION, General Description.>

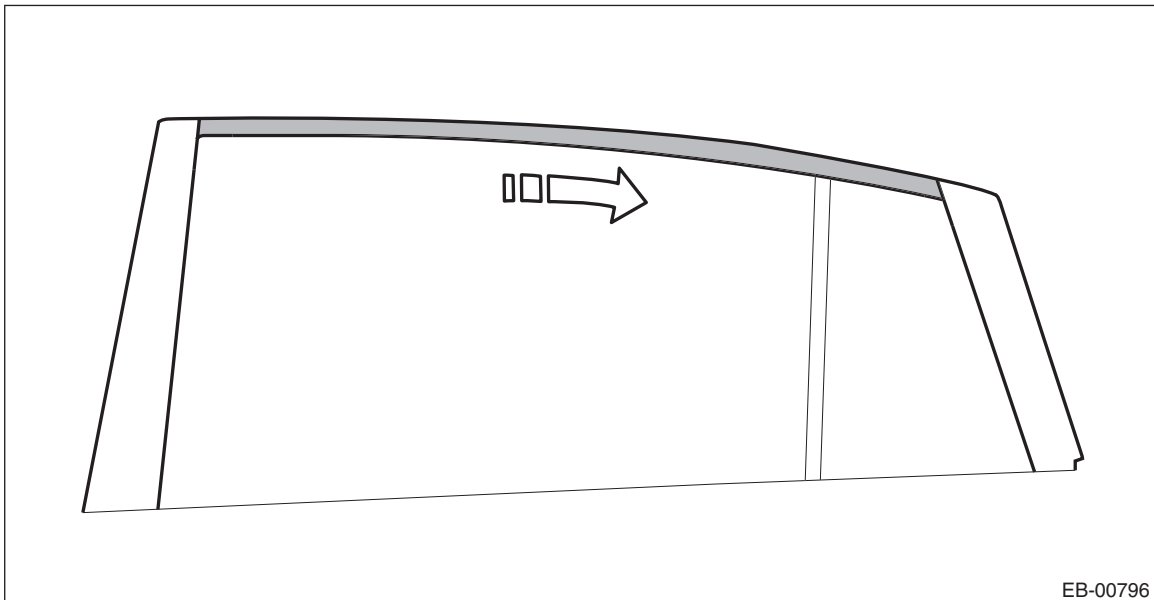
### 3. REAR DOOR

#### 5 door model/XV model

1) Apply the rear door sash tape - medium from the front of the vehicle towards the rear.

NOTE:

Apply the end of the tape to the position shown in the figure.

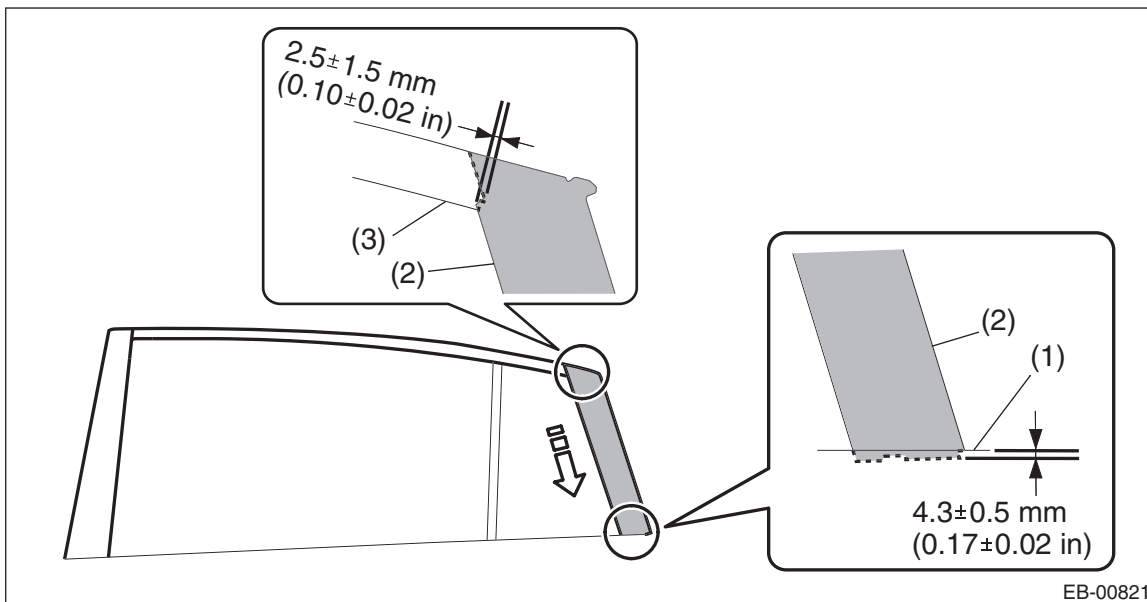


# Door Sash Tape

2) Apply the rear door sash tape - rear from the top of the vehicle towards the bottom.

NOTE:

Apply the end of the tape to the position shown in the figure.

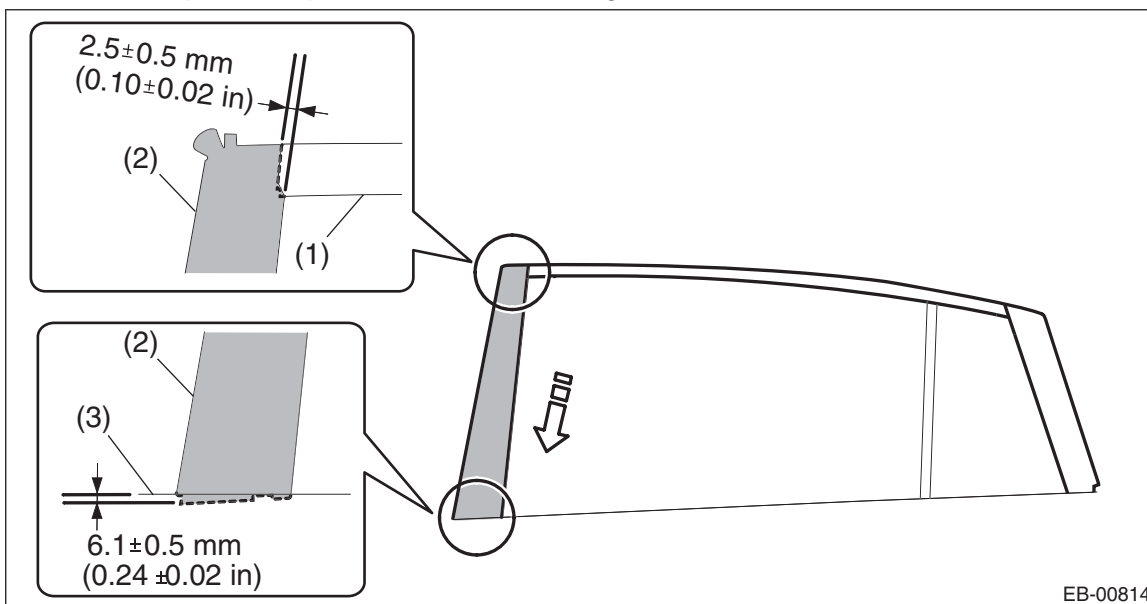


- (1) Upper end of weather strip      (2) Rear door sash tape - rear      (3) Rear door sash tape - medium

3) Apply the rear door sash tape - front from the top of the vehicle towards the bottom.

NOTE:

Apply the end of the tape to the position shown in the figure.



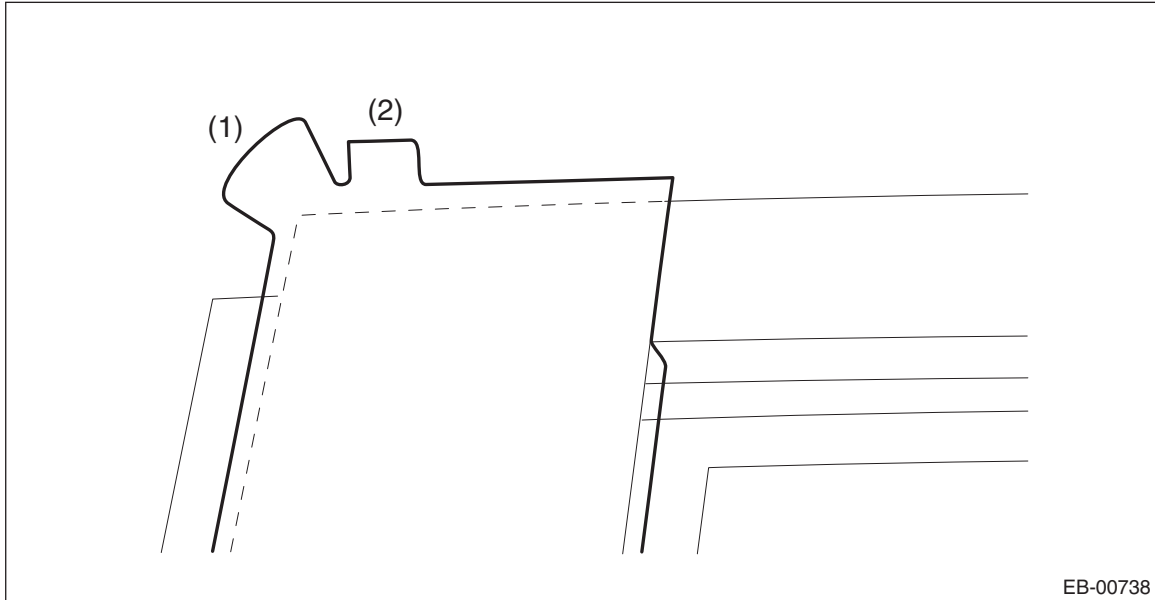
- (1) Rear door sash tape - medium      (2) Rear door sash tape - front      (3) Upper end of weather strip

## Door Sash Tape

### EXTERIOR BODY PANELS

---

4) Fold the corners at the door upper end area in the order of (1) - (2).



5) Thereafter, install door parts in the reverse order of disassembly.

6) When installing the panel assembly - front door, make sure that a uniform clearance is created around the panel. For the dimension of clearance, refer to "SPECIFICATION" in "General Description". <Ref. to EB-2, SPECIFICATION, General Description.>