

9. Trunk Lid

A: REMOVAL

1. TORSION BAR

- 1) Open the trunk lid COMPL.
- 2) Using the ST, remove the torsion bar - trunk lid.

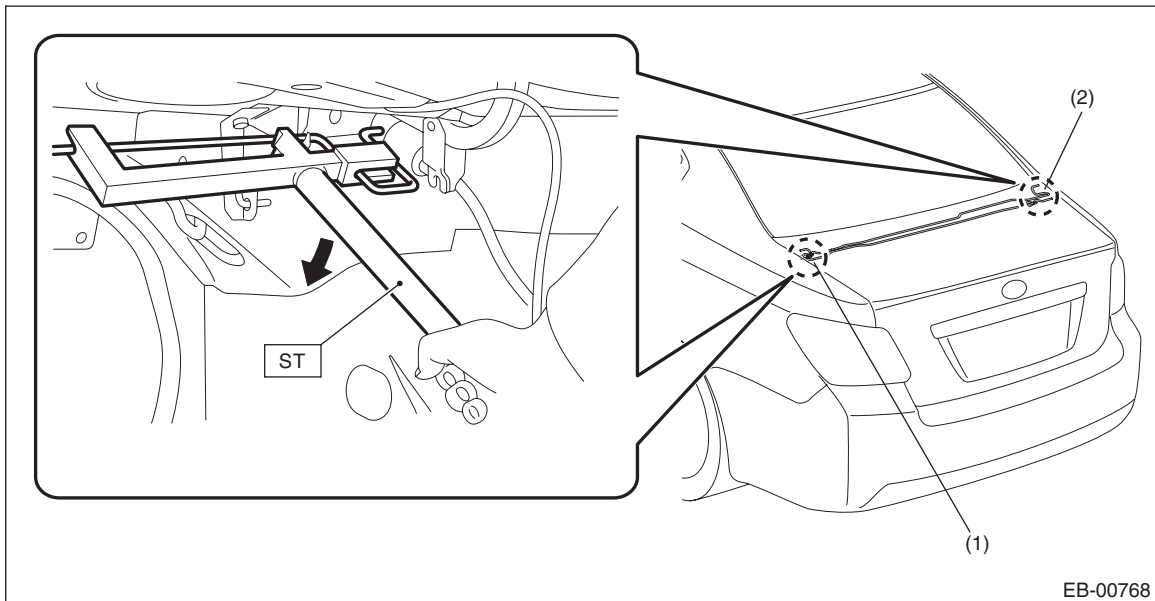
CAUTION:

During removal and installation, handle the torsion bar - trunk lid carefully, because it will generate reactive force.

Preparation tool:

ST: REMOVER (927780000)

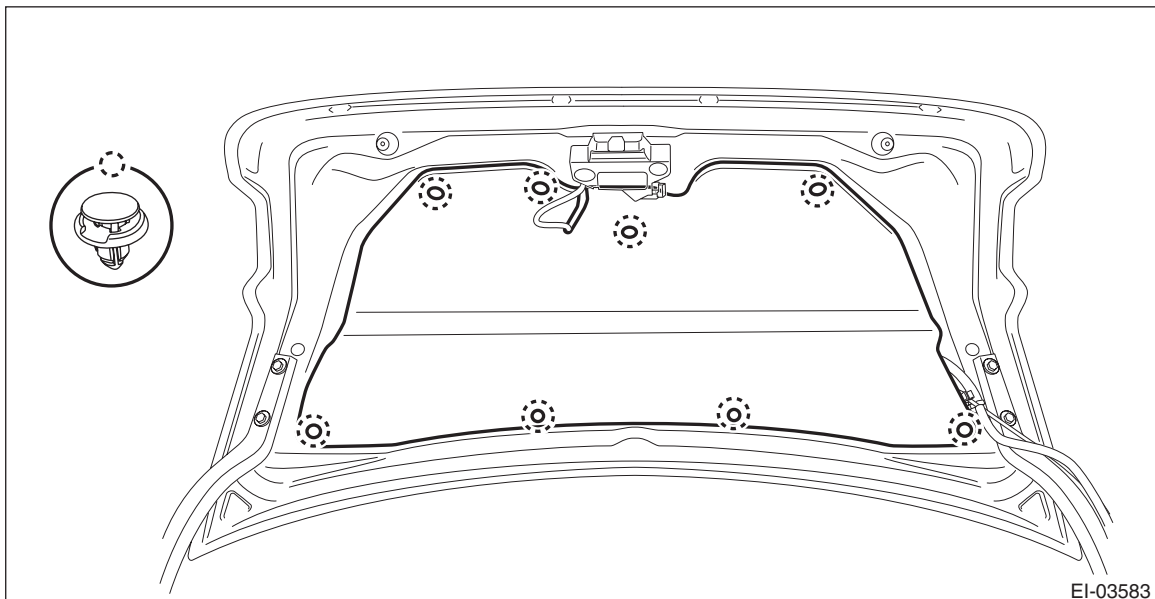
- (1) Remove the torsion bar - trunk lid on the LH side from the hinge link.
- (2) Remove the torsion bar - trunk lid on the RH side from the hinge link.



EB-00768

2. TRUNK LID PANEL

- 1) Disconnect the ground cable from battery.
- 2) Remove the clips, and remove the trim panel - trunk lid.

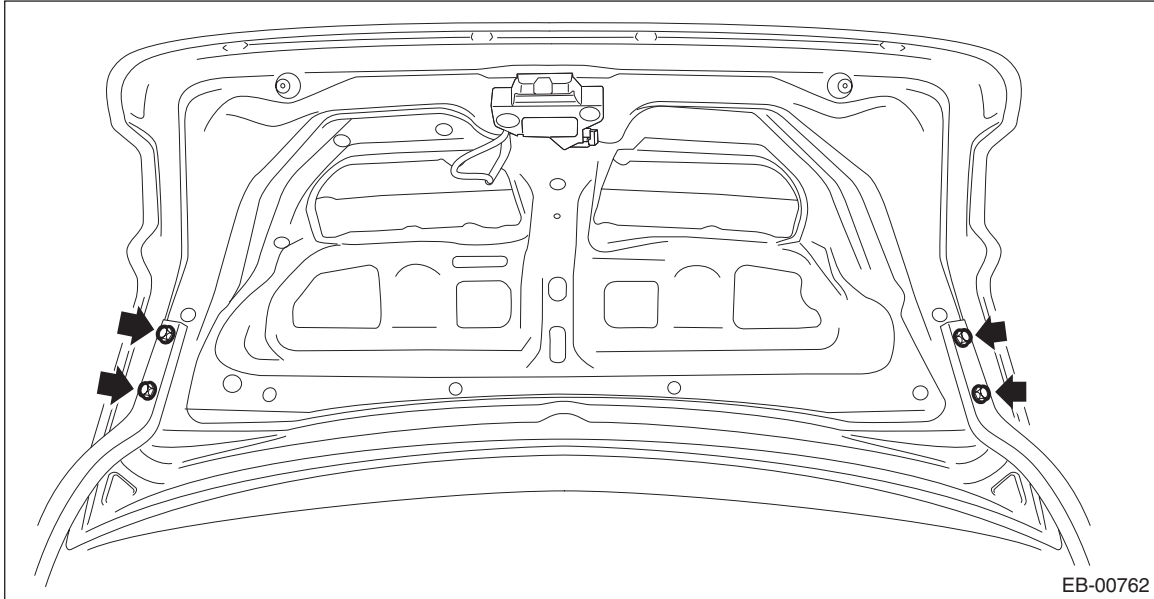


EI-03583

Trunk Lid

EXTERIOR BODY PANELS

- 3) Disconnect the connector to remove the trunk lid harness.
- 4) Remove the lock assembly - trunk lid. <Ref. to SL-50, REMOVAL, Trunk Lid Latch and Actuator Assembly.>
- 5) Remove the garnish - trunk. <Ref. to EI-151, REMOVAL, Trunk Lid Garnish.>
- 6) Remove the trunk lid COMPL.
 - (1) Remove the grommet and pull out the trunk lid harness. (RH side only)
 - (2) Remove the left and right bolts, and remove the trunk lid COMPL.



- 7) Remove the trunk lid arm assembly.
 - (1) Remove the torsion bar - trunk lid from the trunk lid arm. <Ref. to EB-53, TORSION BAR, REMOVAL, Trunk Lid.>
 - (2) Remove the trim panel assembly - rear shelf. <Ref. to EI-112, REMOVAL, Rear Shelf Trim.>
 - (3) Remove the bolts, then remove the trunk lid arm assembly.

B: INSTALLATION

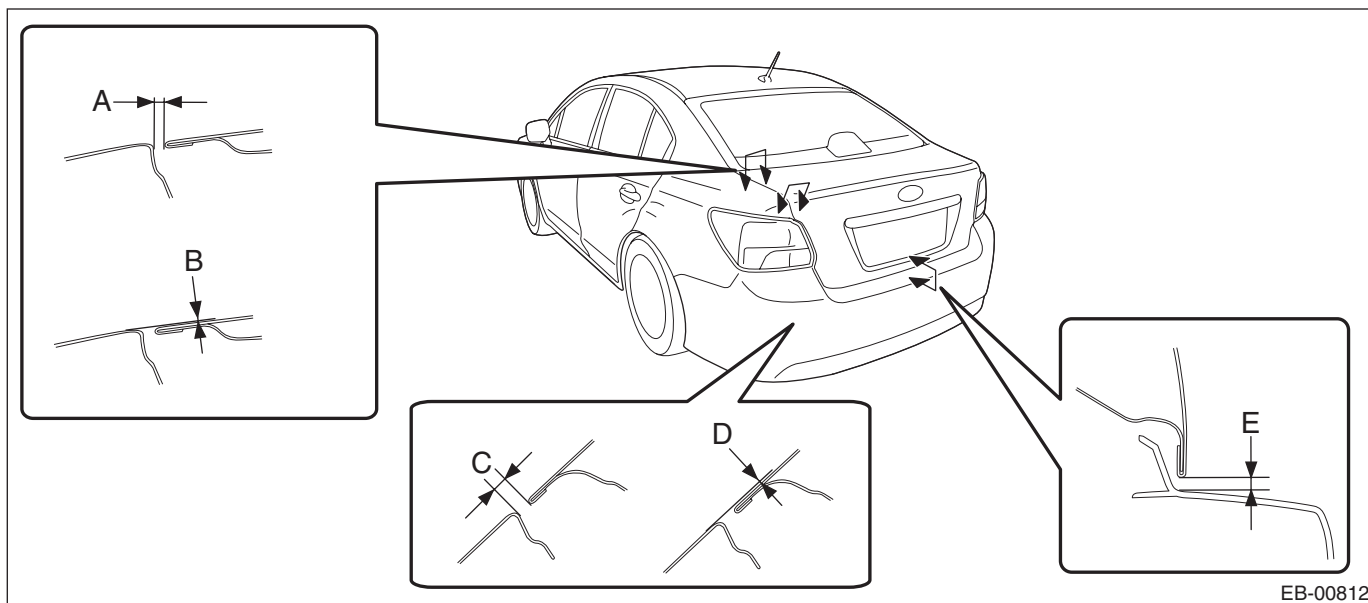
- 1) Install each part in the reverse order of removal.
- 2) Apply grease to the rotating area of hinges.
- 3) Install while paying attention to make a uniform clearance around the trunk lid COMPL. <Ref. to EB-55, ADJUSTMENT, Trunk Lid.>

Tightening torque:

Refer to "COMPONENT" of "General Description". <Ref. to EB-6, TRUNK LID PANEL, COMPONENT, General Description.>

C: ADJUSTMENT

Adjust the clearance around the trunk lid COMPL as follows.



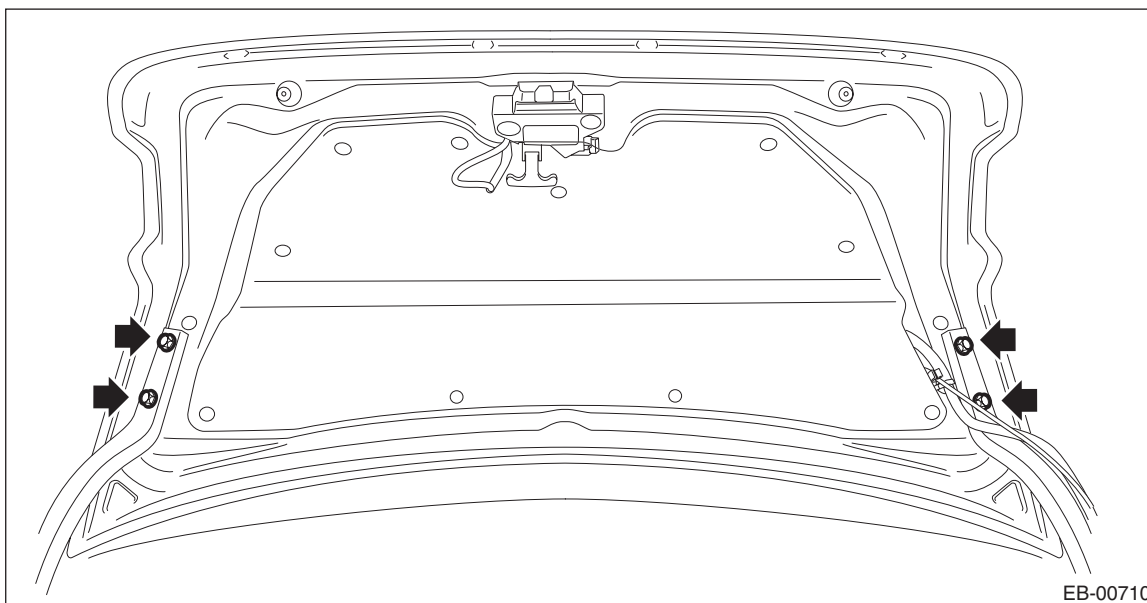
EB-00812

Part		Standard
A	Trunk lid COMPL to Rear quarter panel	3.5±1.0 mm (0.14±0.04 in)
B	Surface level gap between trunk lid COMPL and rear quarter panel	-0.5±1.0, -0.5 mm (-0.02±0.04, -0.02 in)
C	Trunk lid COMPL to Rear quarter panel	3.5±1.0 mm (0.14±0.04 in)
D	Surface level gap between trunk lid COMPL and rear quarter panel	-0.5±0.7 mm (0.02±0.03 in)
E	Trunk lid COMPL to Bumper face - rear	7.5±1.0 mm (0.3±0.04 in)

1) Adjust the horizontal position of the trunk lid COMPL.

(1) Loosen the mounting bolt.

(2) Adjust the horizontal clearance of the trunk lid COMPL.



EB-00710

Trunk Lid

EXTERIOR BODY PANELS

- 2) Adjust the surface level gap between the trunk lid COMPL and the body.
 - (1) Remove the trim panel - trunk rear.
 - (2) Loosen the bolt.
 - (3) Tap the striker - trunk using a plastic hammer to adjust the surface level gap between the trunk lid COMPL and the body.

