

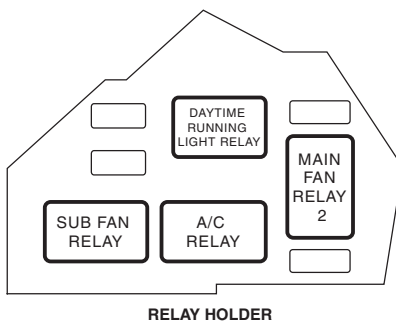
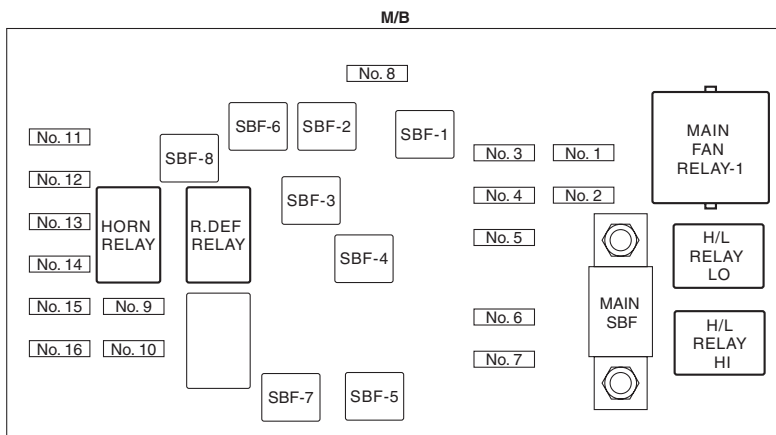
### 3. Power Supply Circuit

#### A: WIRING DIAGRAM

- Engine room side

P-SUP-01

P-SUP-01



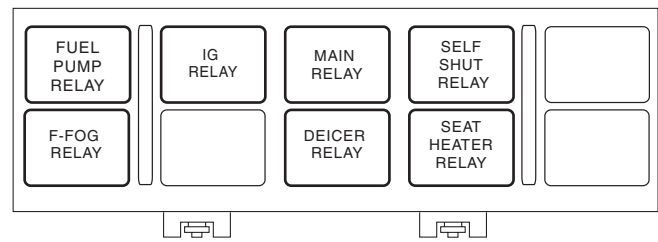
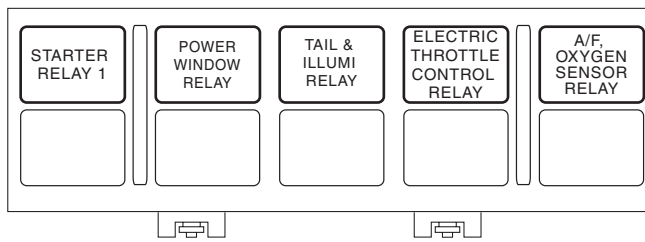
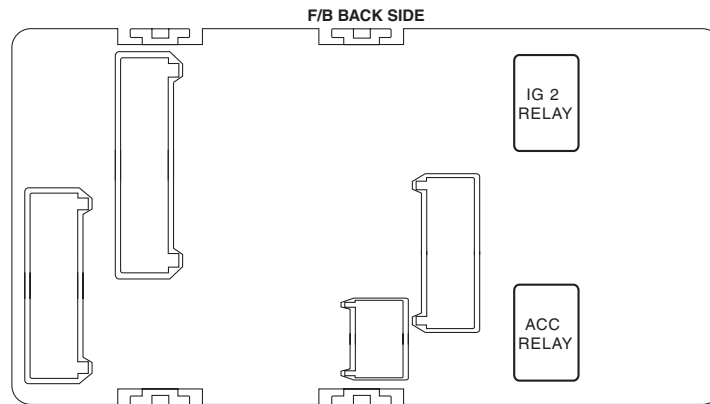
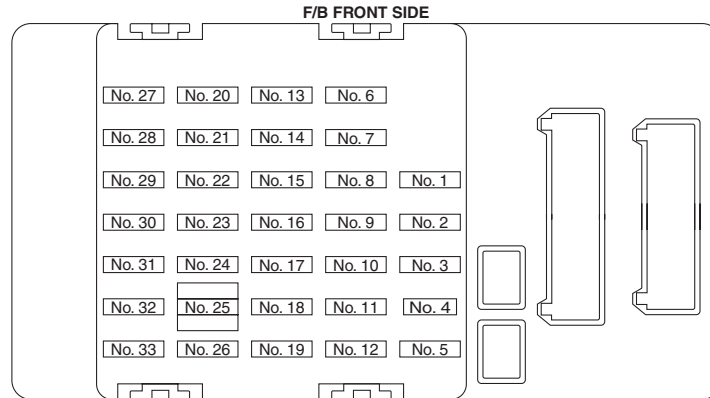
# Power Supply Circuit

## WIRING SYSTEM

- Passenger room side

P-SUP-02

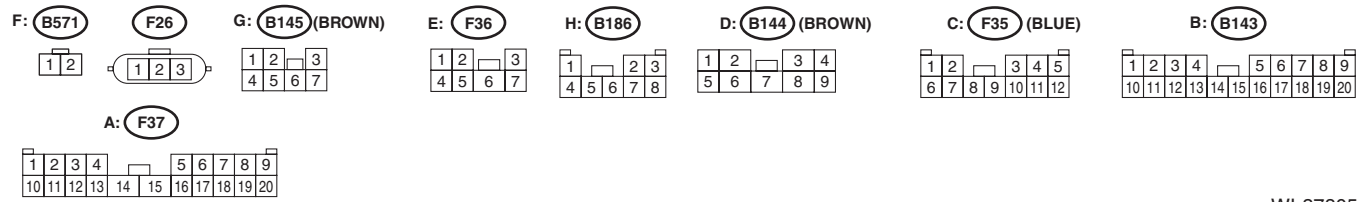
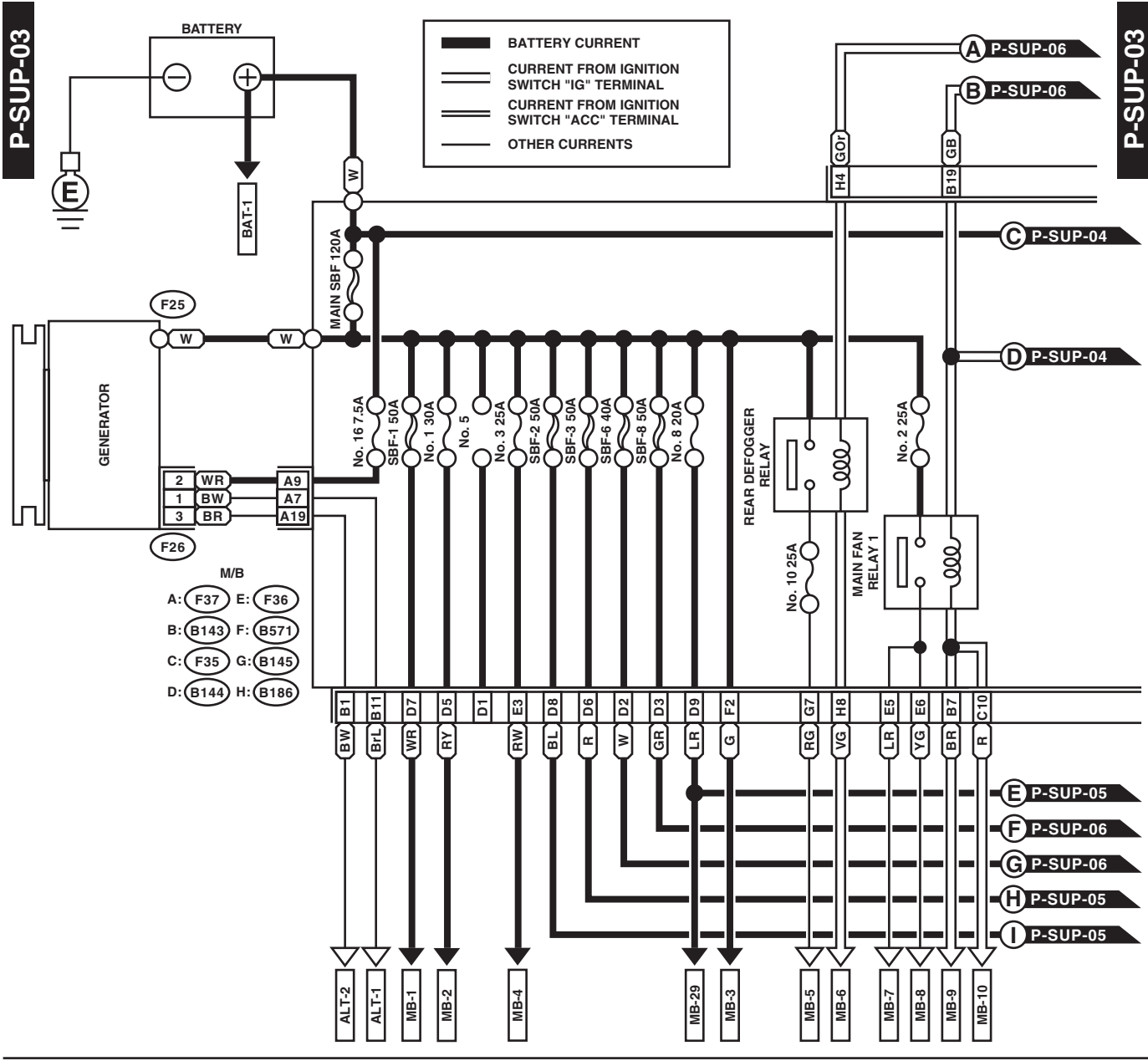
P-SUP-02



WI-34135

# Power Supply Circuit

WIRING SYSTEM



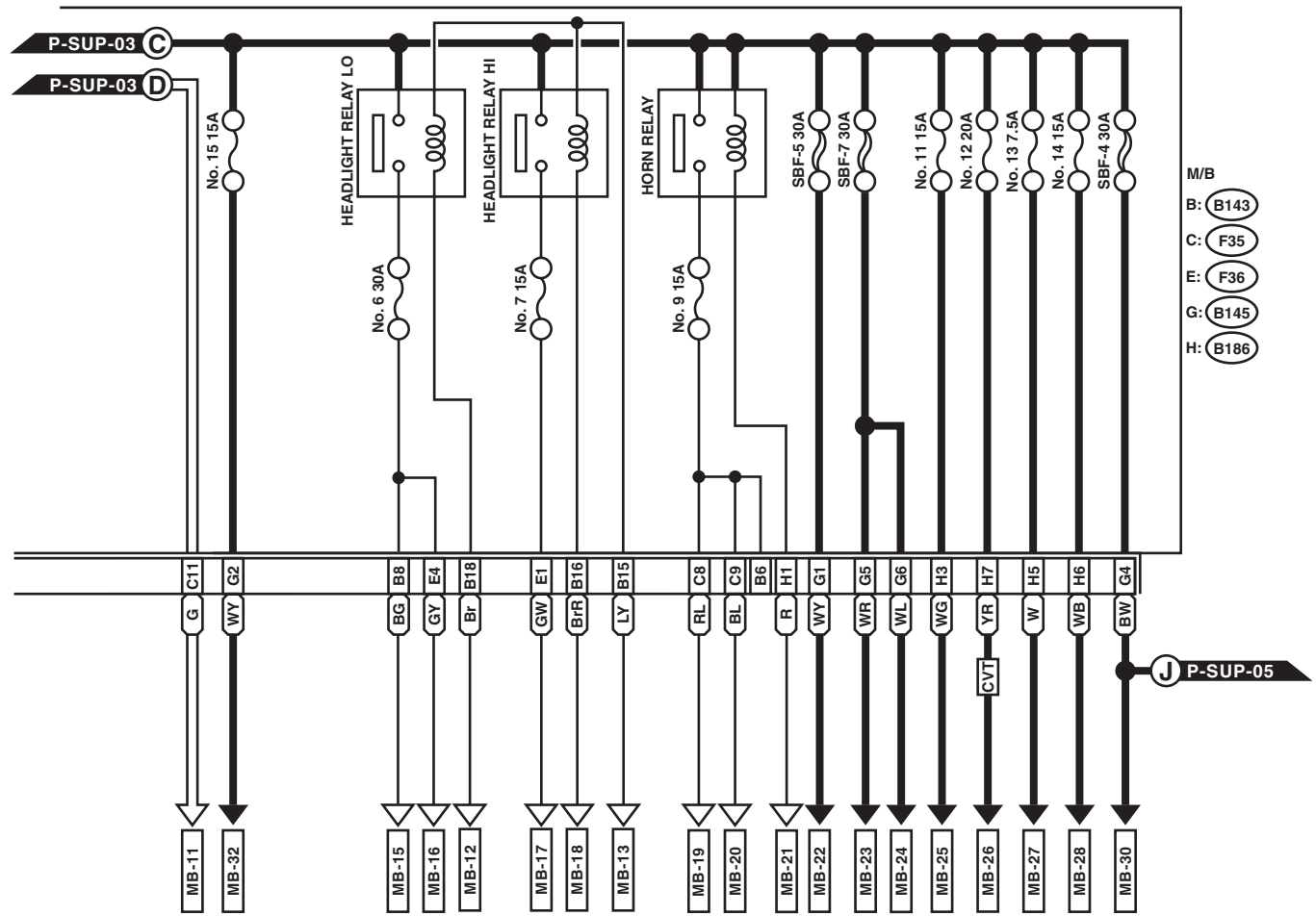
WI-37805

# Power Supply Circuit

WIRING SYSTEM

P-SUP-04

P-SUP-04



- M/B
- B: (B143)
- C: (F35)
- E: (F36)
- G: (B145)
- H: (B186)

G: (B145) (BROWN)

1	2	3
4	5	6
7		

E: (F36)

1	2	3
4	5	6
7		

H: (B186)

1	2	3
4	5	6
7	8	

C: (F35) (BLUE)

1	2	3	4	5
6	7	8	9	10
11	12			

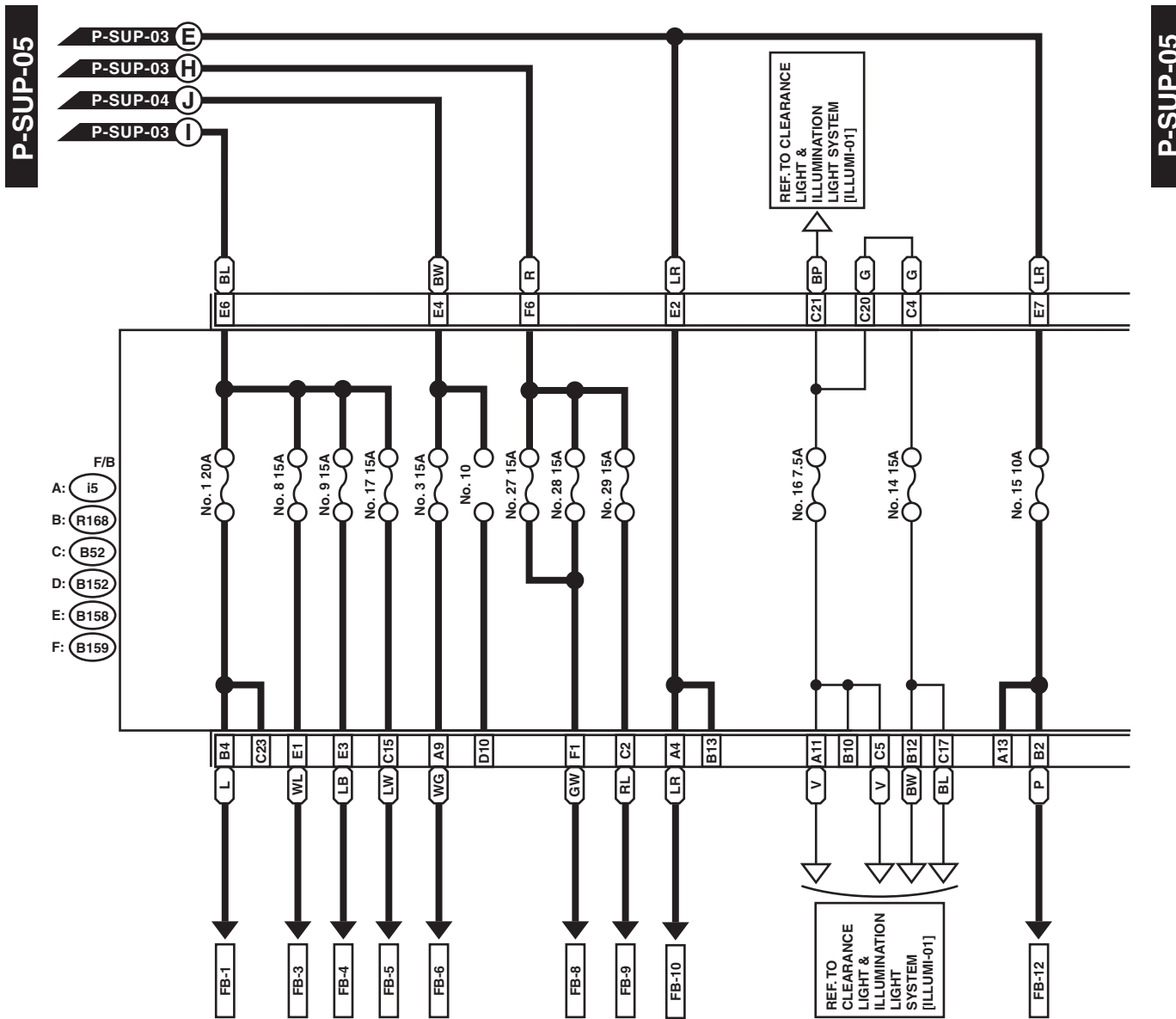
B: (B143)

1	2	3	4	5	6	7	8	9
10	11	12	13	14	15	16	17	18
19	20							

WI-34137

# Power Supply Circuit

WIRING SYSTEM



E: (B158)

1	2	3	4
5	6	7	8

F: (B159) (BROWN)

1	2	3	4
5	6	7	8

D: (B152) (GRAY)

1	2	3	4
5	6	7	8

A: (i5)

1	2	3	4	5	6	7	8	9
10	11	12	13	14	15	16	17	18

B: (R168)

1	2	3	4	5	6	7	8	9
10	11	12	13	14	15	16	17	18

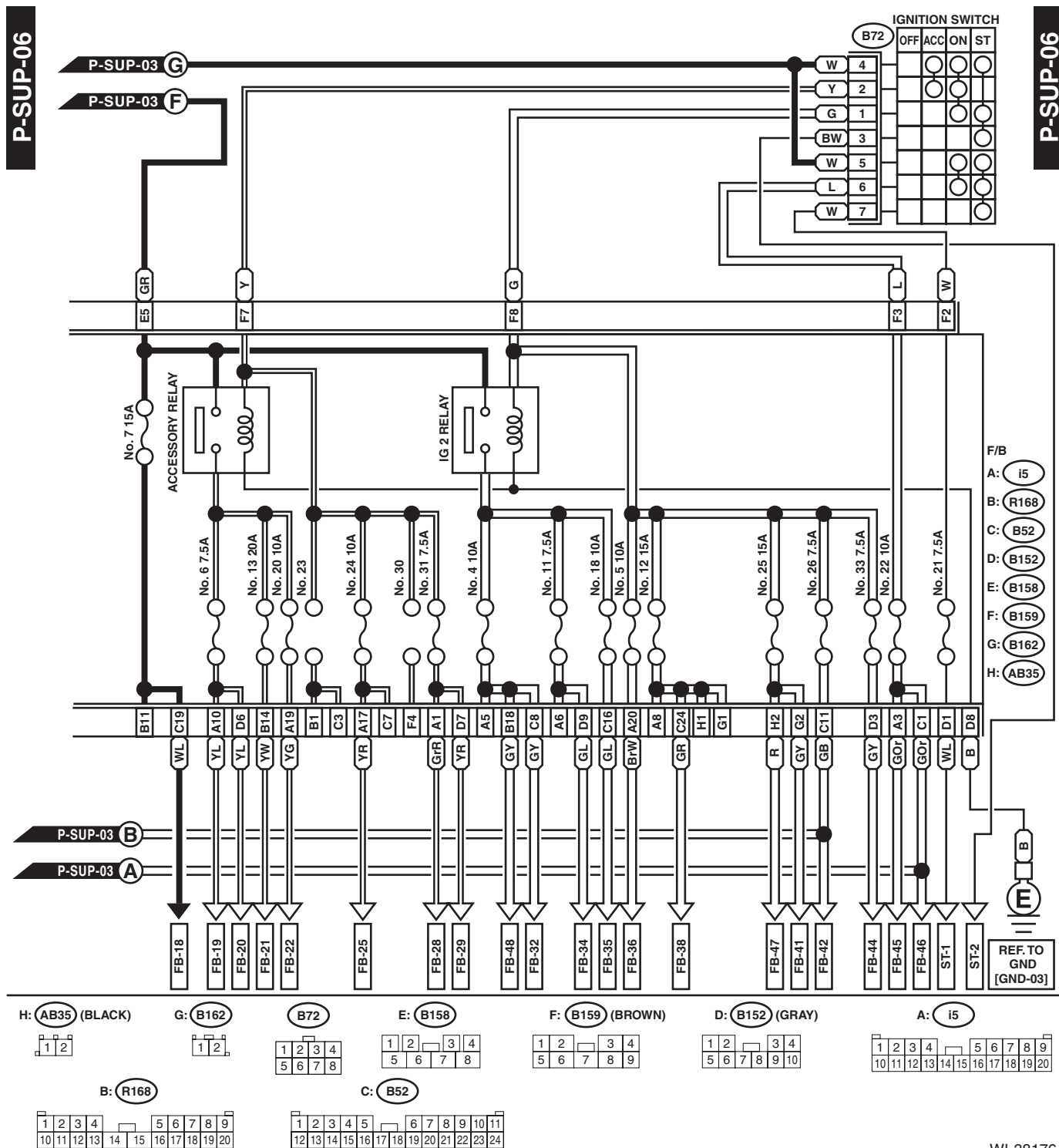
C: (B52)

1	2	3	4	5	6	7	8	9	10	11
12	13	14	15	16	17	18	19	20	21	22

WI-37806

# Power Supply Circuit

WIRING SYSTEM



WI-38176

# Power Supply Circuit

WIRING SYSTEM

No.	Load
MB-1	VDC CM
MB-2	VDC CM
MB-3	Wiper relay
MB-4	Sub fan relay
MB-5	Mirror heater LH
	Mirror heater RH
	Rear defogger
	A/C control panel
MB-6	Body integrated unit
MB-7	Main fan relay 2
MB-8	Main fan motor
MB-9	ECM
MB-10	Main fan relay 2
MB-11	Main fan relay 2
MB-12	Body integrated unit
MB-13	Body integrated unit
MB-15	Front fog light relay
MB-16	Front combination light LH
	Front combination light RH
MB-17	Daytime running light relay
MB-18	Body integrated unit
MB-19	Horn
MB-20	Horn
MB-21	Horn switch
	Body integrated unit
MB-22	A/F, oxygen sensor relay
MB-23	Main relay
	IG relay
MB-24	Electronic throttle control relay
MB-25	Fuel pump relay
MB-26	TCM
	Self shut relay
MB-27	ECM
	Data link connector
MB-28	Key warning switch
	Turn signal and hazard unit
	Body integrated unit
MB-29	Spot map light
	Room light
	Body integrated unit
	Immobilizer antenna
MB-30	Power window circuit breaker
MB-32	Tail & Illumination relay
	Daytime running light relay
ALT-1	Combination meter
ALT-2	ECM
ST-1	Starter relay 1
	Clutch start switch
ST-2	Starter relay 1
FB-1	Trailer connector

No.	Load
FB-3	Stop light and brake switch
FB-4	Wiper deicer relay
FB-5	Seat heater relay
FB-6	Body integrated unit
FB-8	Blower motor relay
FB-9	Front fog light relay
FB-10	Audio
	MFD
	Navigation unit
FB-12	Keyless entry CM
	TPMS & keyless entry CM
	Trunk room light (4 door model)
	Luggage room light (5 door model/XV model)
FB-18	Combination meter
	Body integrated unit
	Impact sensor
	Air mix door actuator LH (with left/right independent air conditioner)
	Air mix door actuator RH (with left/right independent air conditioner)
	Mode door actuator
	Air mix door actuator (without left/right independent air conditioner)
	Security CM
	A/C control panel
FB-19	Remote control mirror switch
FB-20	Seat heater relay
	Rear view mirror
FB-21	Rear accessory power supply socket
FB-22	Front accessory power supply socket
FB-25	Audio
	Navigation unit
FB-28	A/C control panel
FB-29	Body integrated unit
FB-32	Clutch switch
	Impact sensor
	Data link connector
	Stop light and brake switch
	Wiper deicer relay
	Sunroof motor assembly
	Sunroof switch
Sunroof switch (tilt)	
FB-34	Turn signal and hazard unit
FB-35	Inhibitor switch
	Back-up light switch
	Auto headlight beam leveler CM
FB-36	Combination meter
	MFD

# Power Supply Circuit

## WIRING SYSTEM

---

No.	Load
FB-38	ECM
	TCM
	Body integrated unit
	Fuel pump relay
FB-41	Airbag CM
FB-42	Power window relay
	Wiper relay
FB-44	VDC CM
	Steering angle sensor
	Power steering CM
FB-45	A/C control panel
FB-46	A/C relay
	Sub fan relay
	Pressure switch
	Blower motor relay
FB-47	Occupant detection control module
FB-48	TPMS & keyless entry CM
BAT-1	Power steering CM