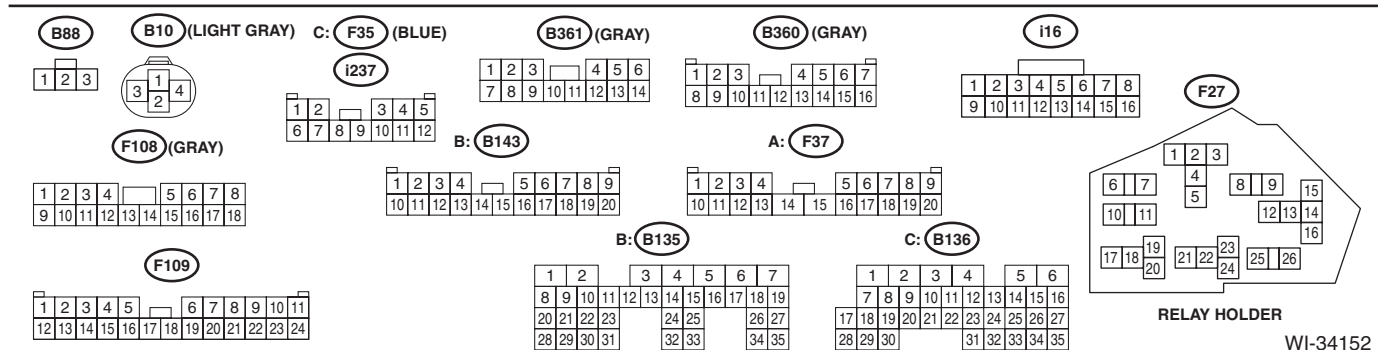
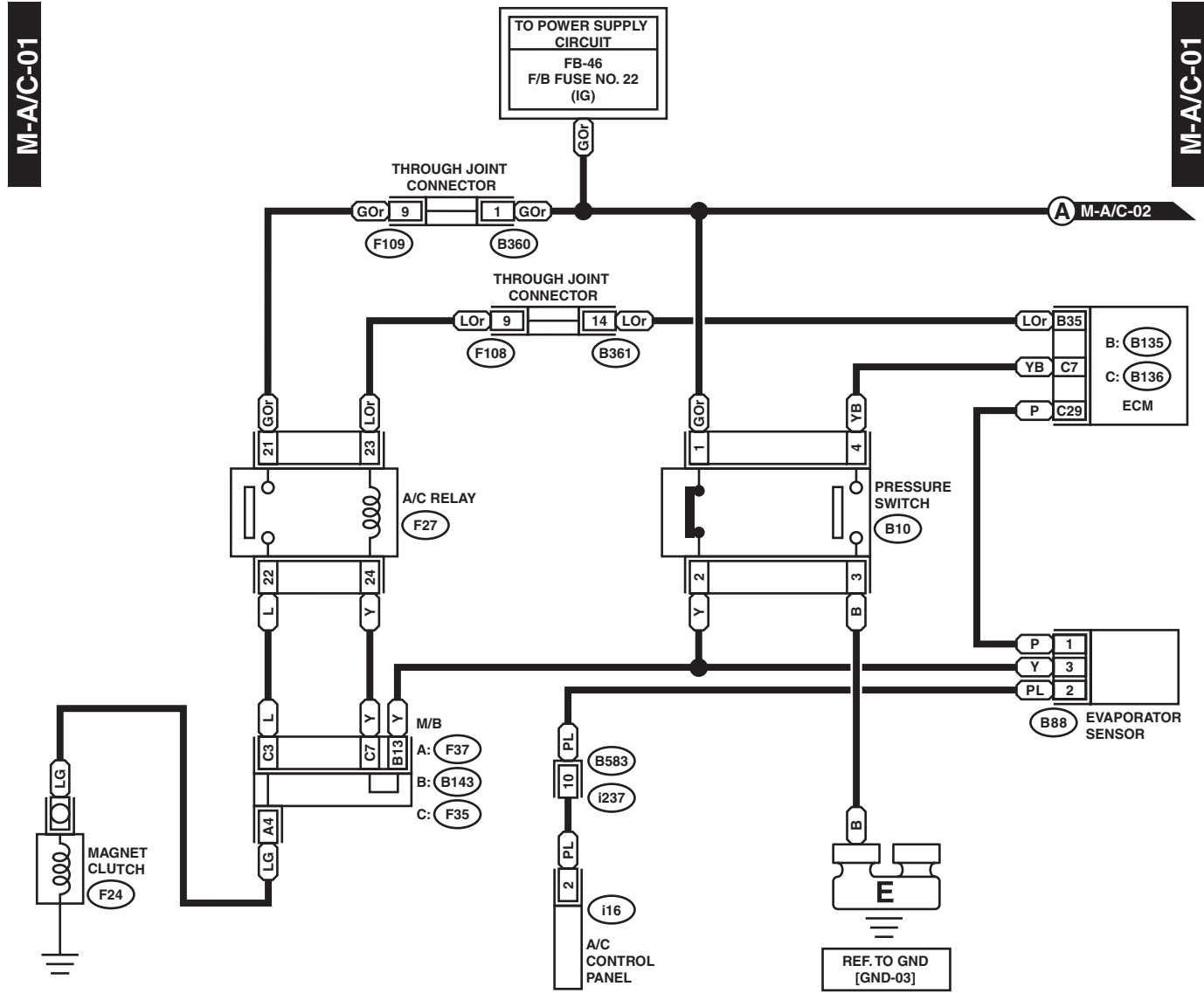


6. Air Conditioning System

A: WIRING DIAGRAM

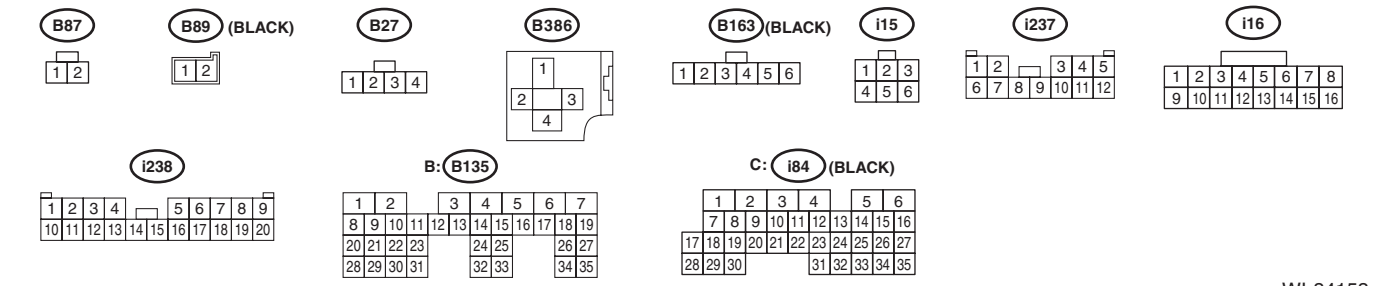
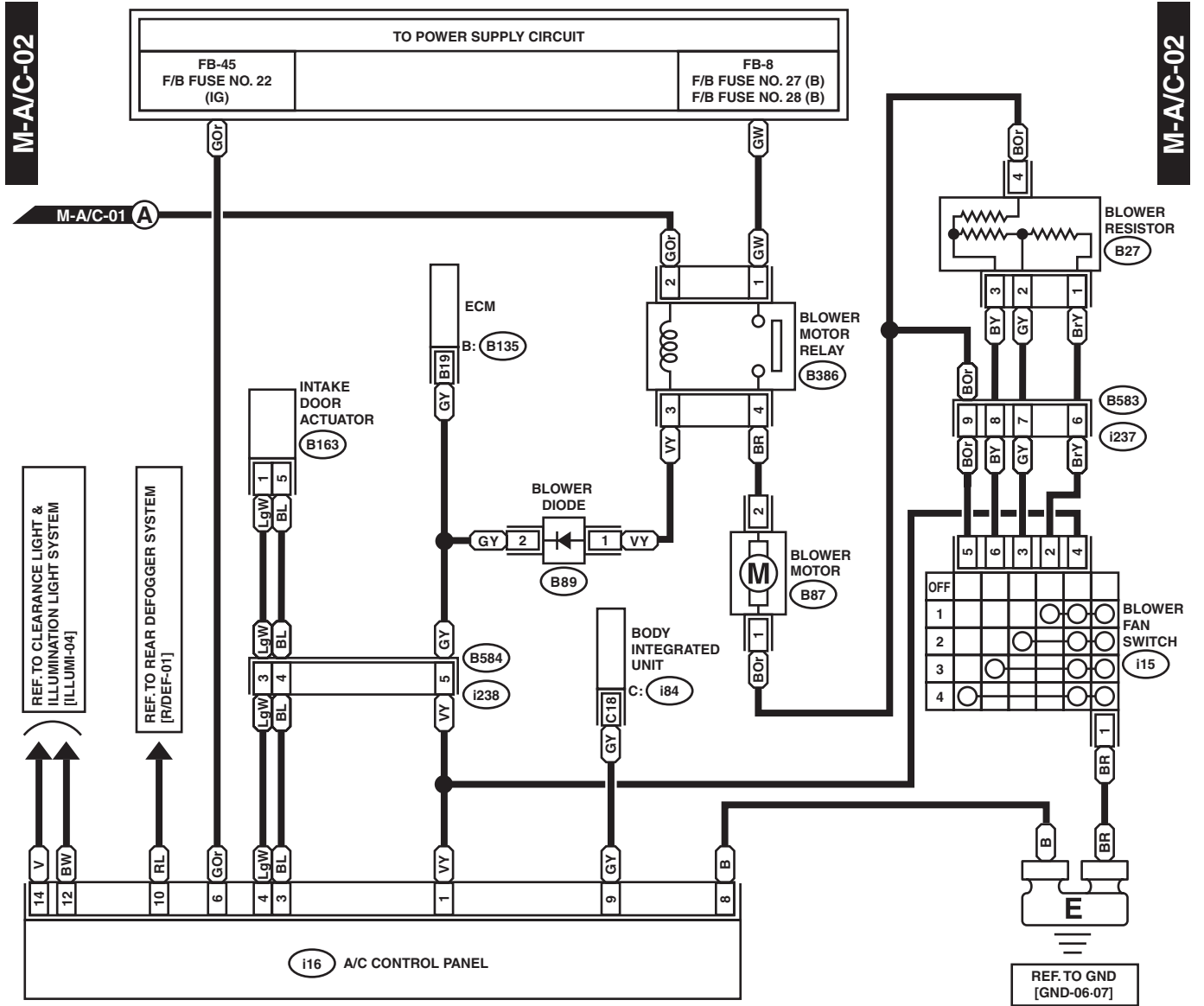
1. MANUAL A/C MODEL



WI-34152

Air Conditioning System

WIRING SYSTEM



WI-34153

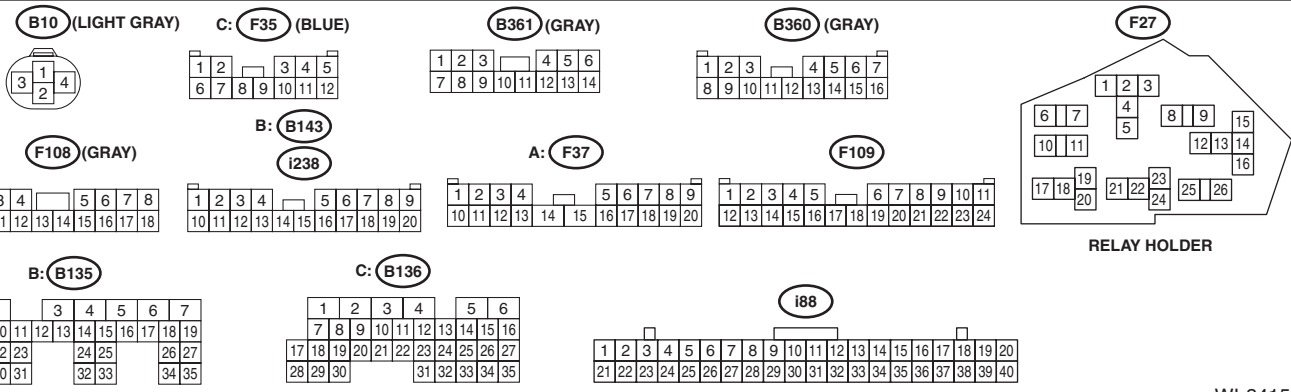
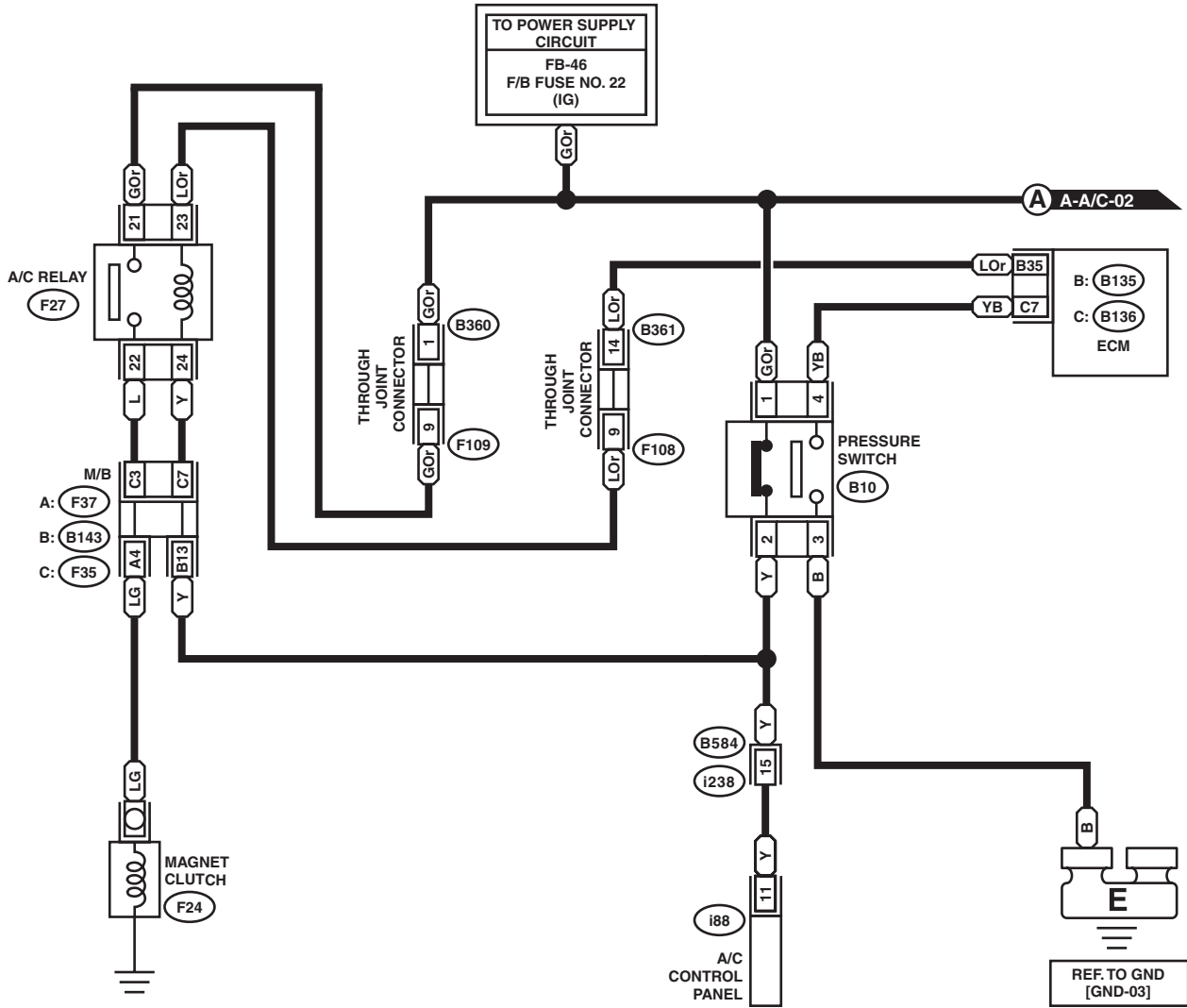
Air Conditioning System

WIRING SYSTEM

2. AUTO A/C MODEL

A-A/C-01

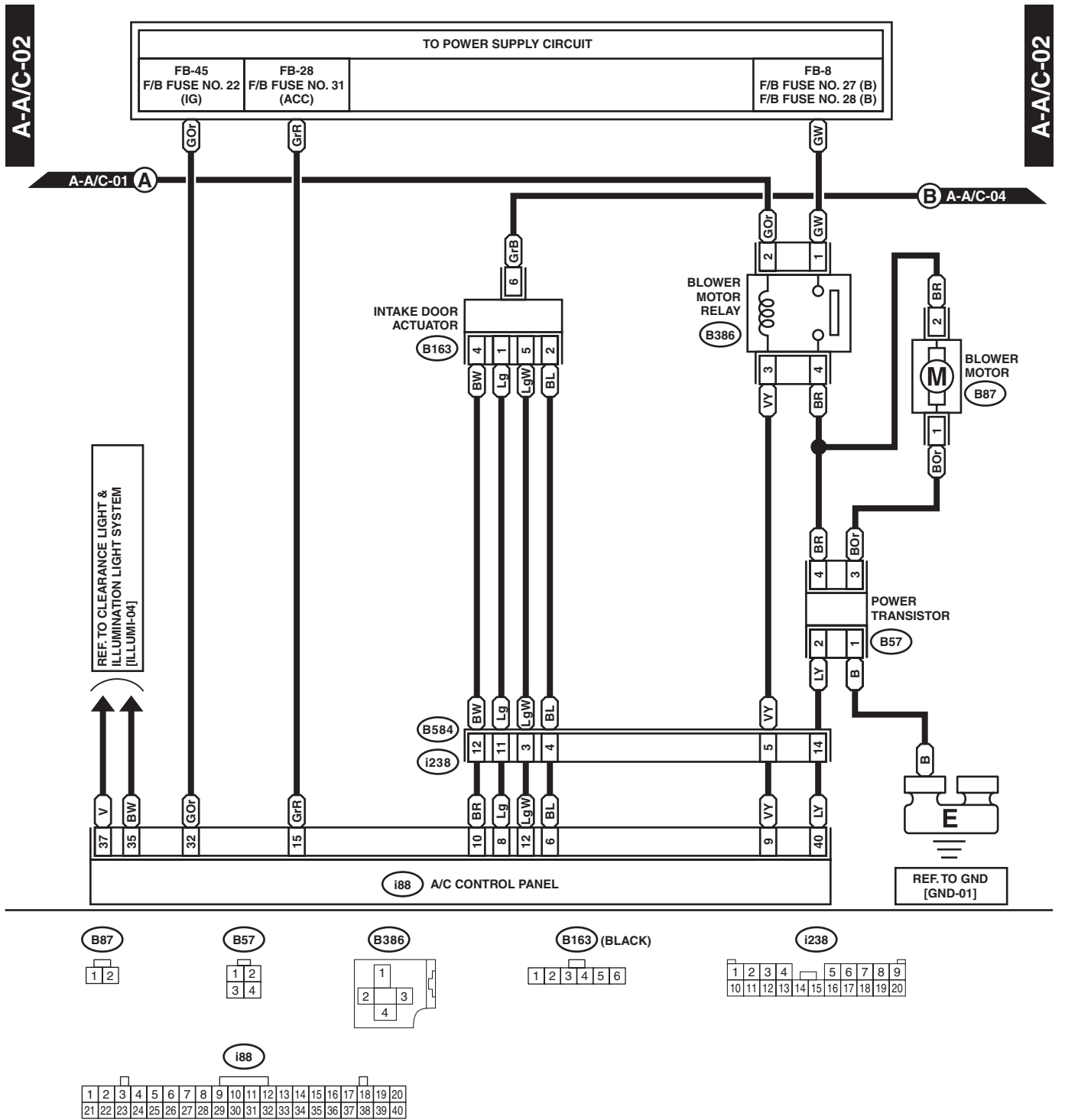
A-A/C-01



WI-34154

Air Conditioning System

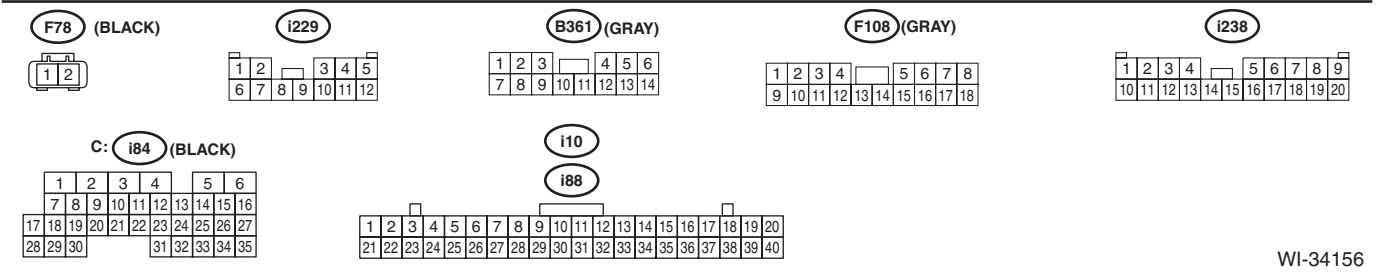
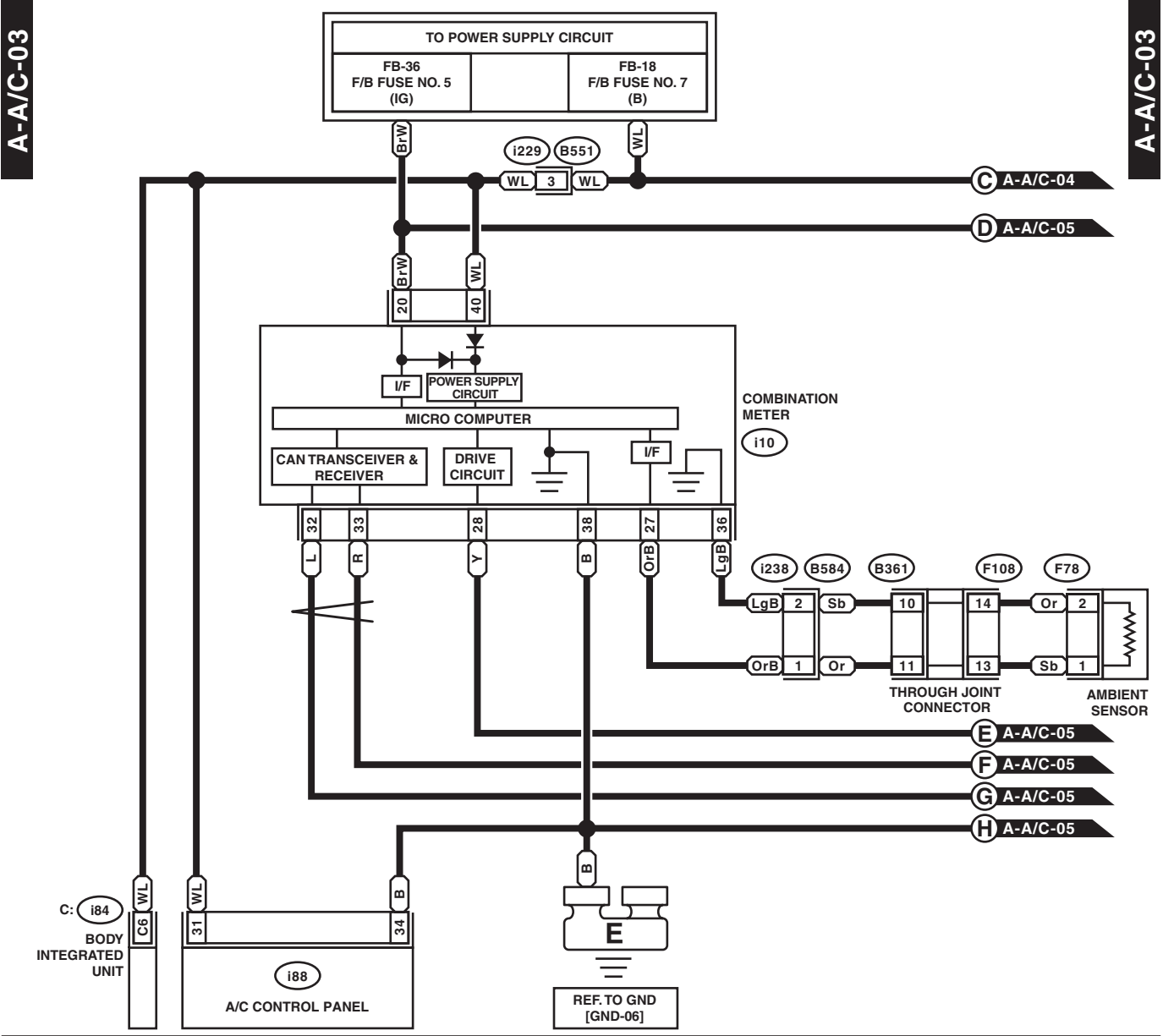
WIRING SYSTEM



WI-34155

Air Conditioning System

WIRING SYSTEM



WI-34156

Air Conditioning System

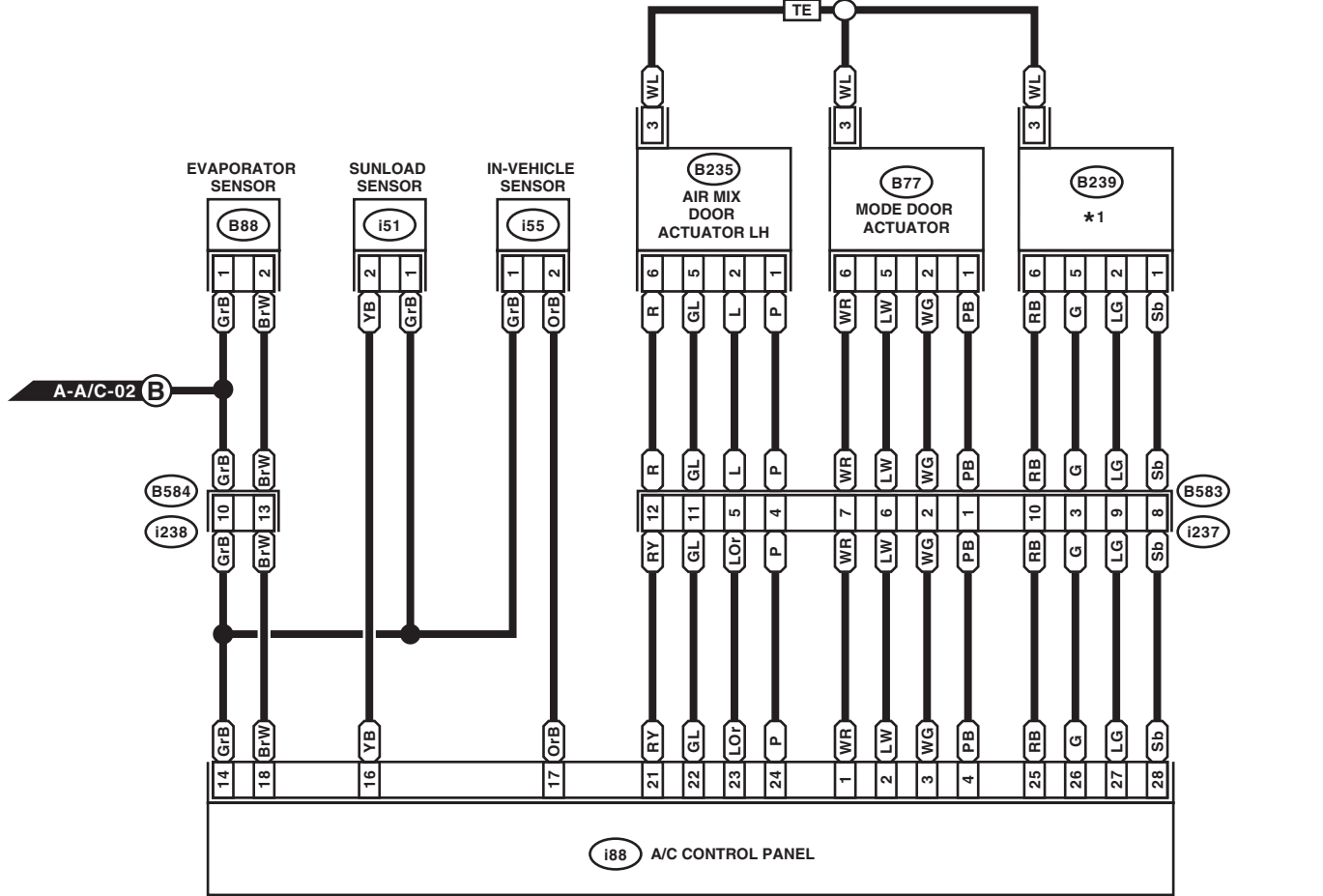
WIRING SYSTEM

A-A/C-04

A-A/C-04

A-A/C-03 **C**

TE : WITH L/R INDEPENDENT AIR CONDITIONER
 *1 : WITHOUT L/R INDEPENDENT AIR CONDITIONER : AIR MIX DOOR ACTUATOR
 WITH L/R INDEPENDENT AIR CONDITIONER : AIR MIX DOOR ACTUATOR RH



B88 (BROWN)



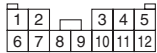
i51



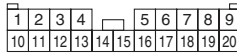
B77



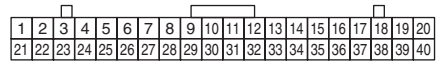
i237



i238



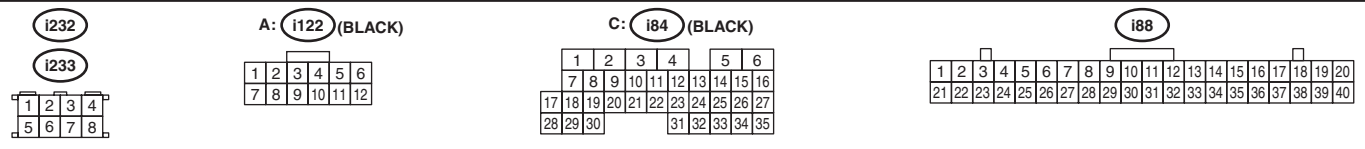
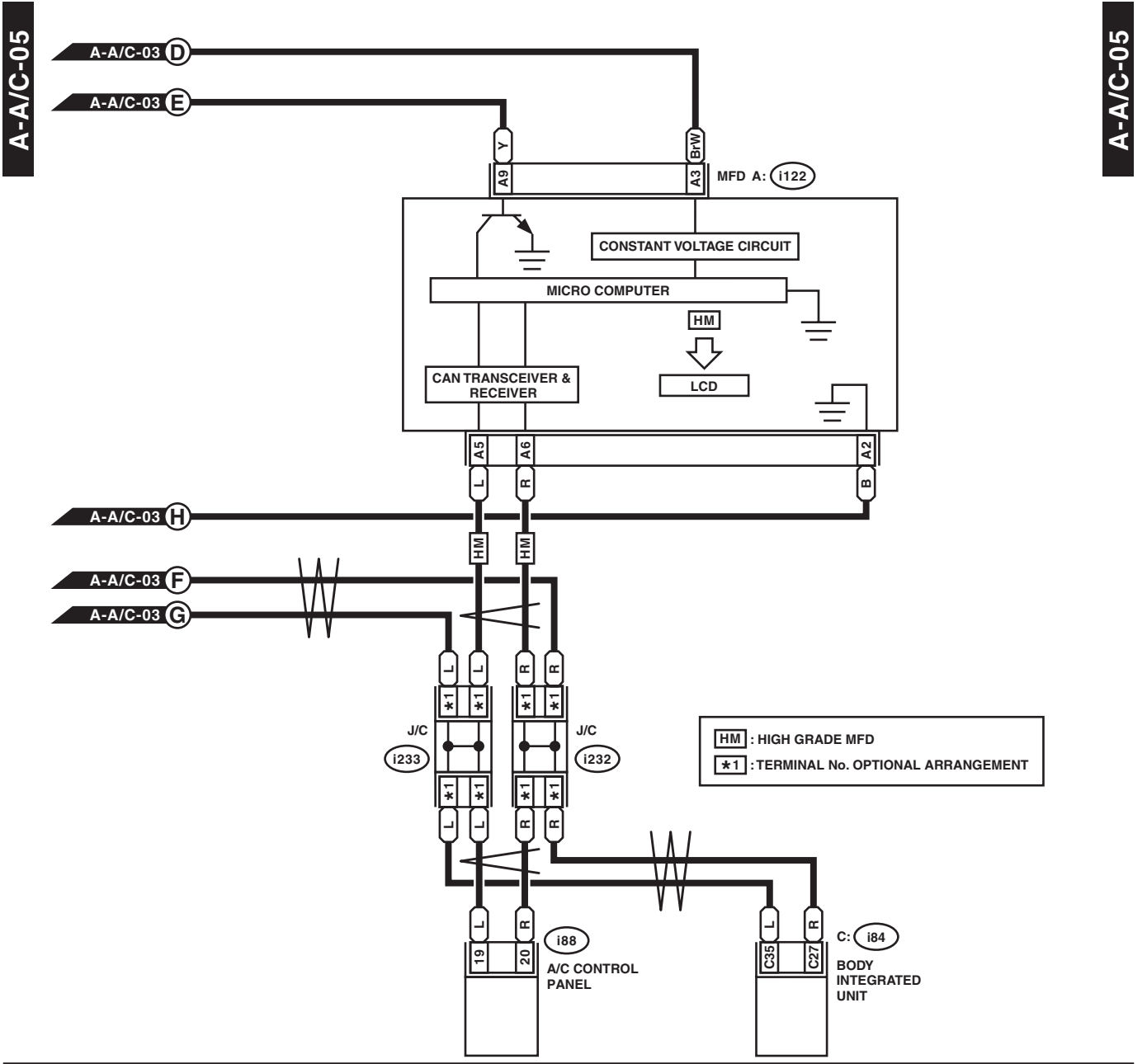
i88



WI-34157

Air Conditioning System

WIRING SYSTEM



WI-37813