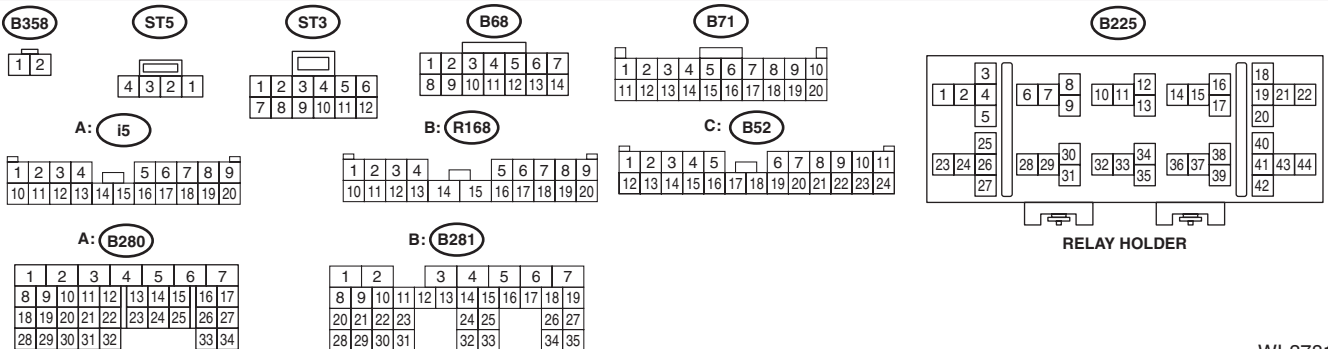
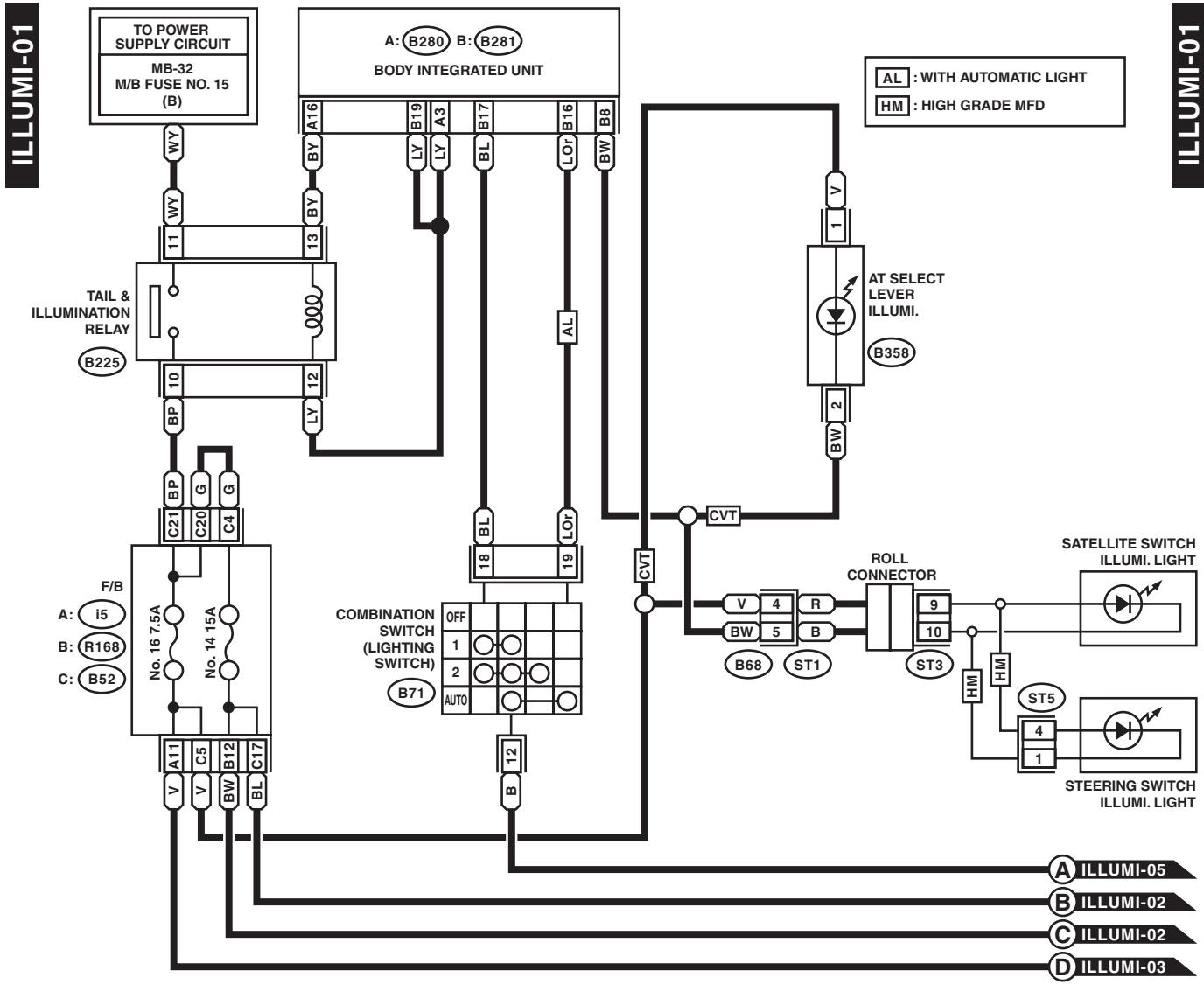


11. Clearance Light and Illumination Light System

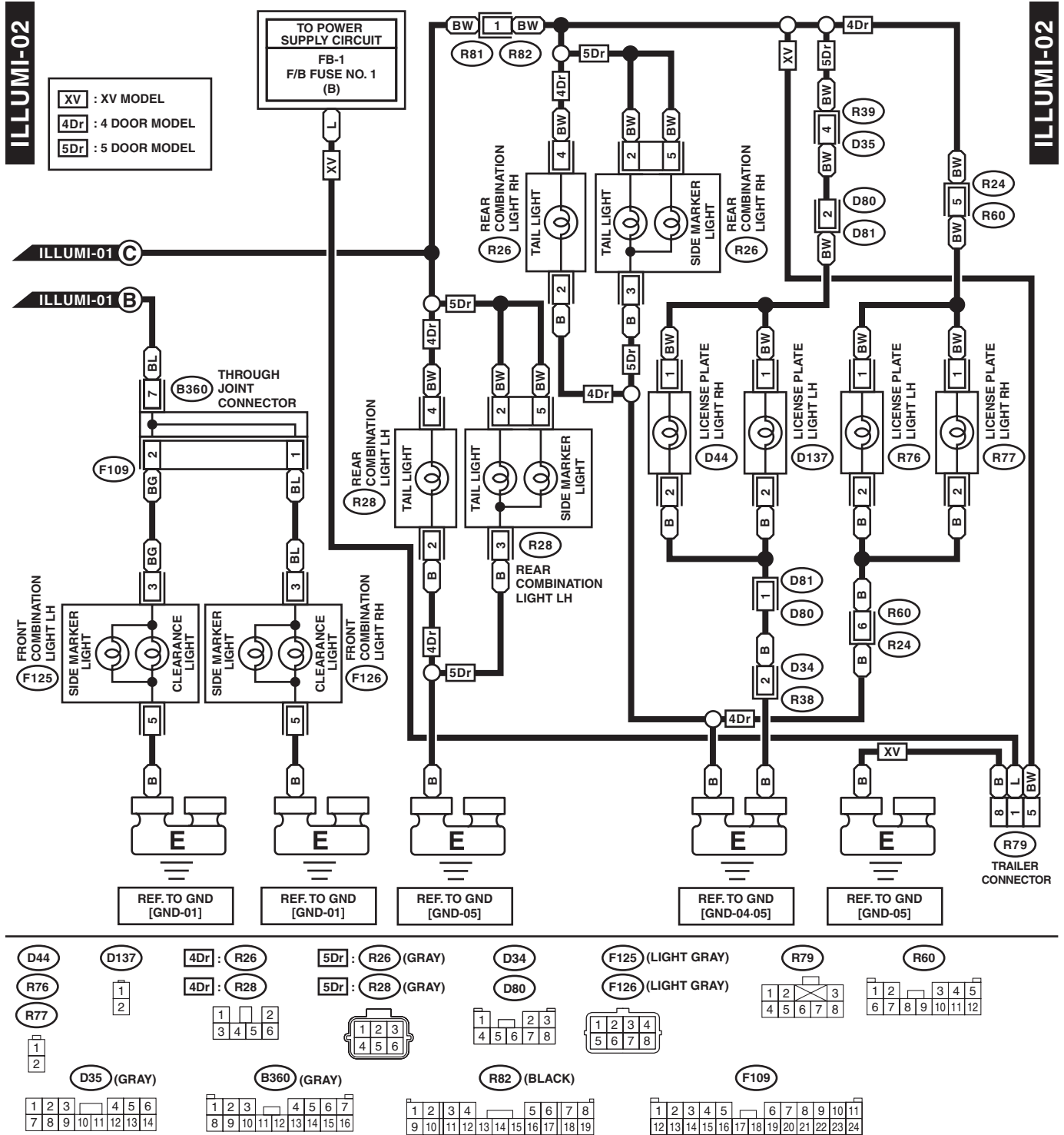
A: WIRING DIAGRAM



WI-37819

Clearance Light and Illumination Light System

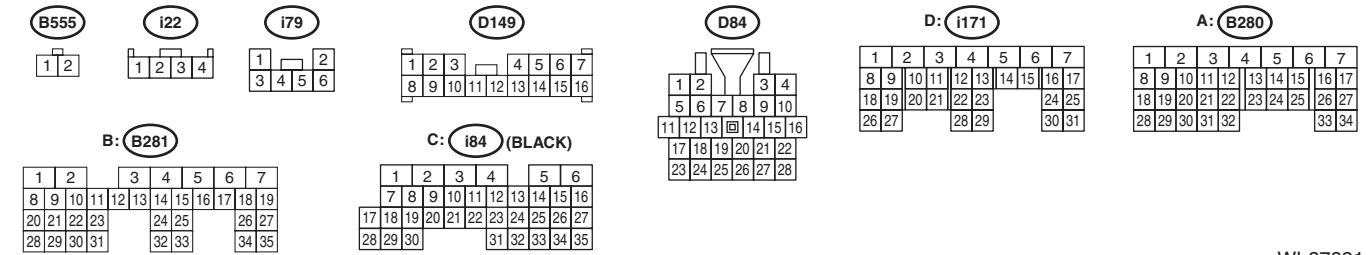
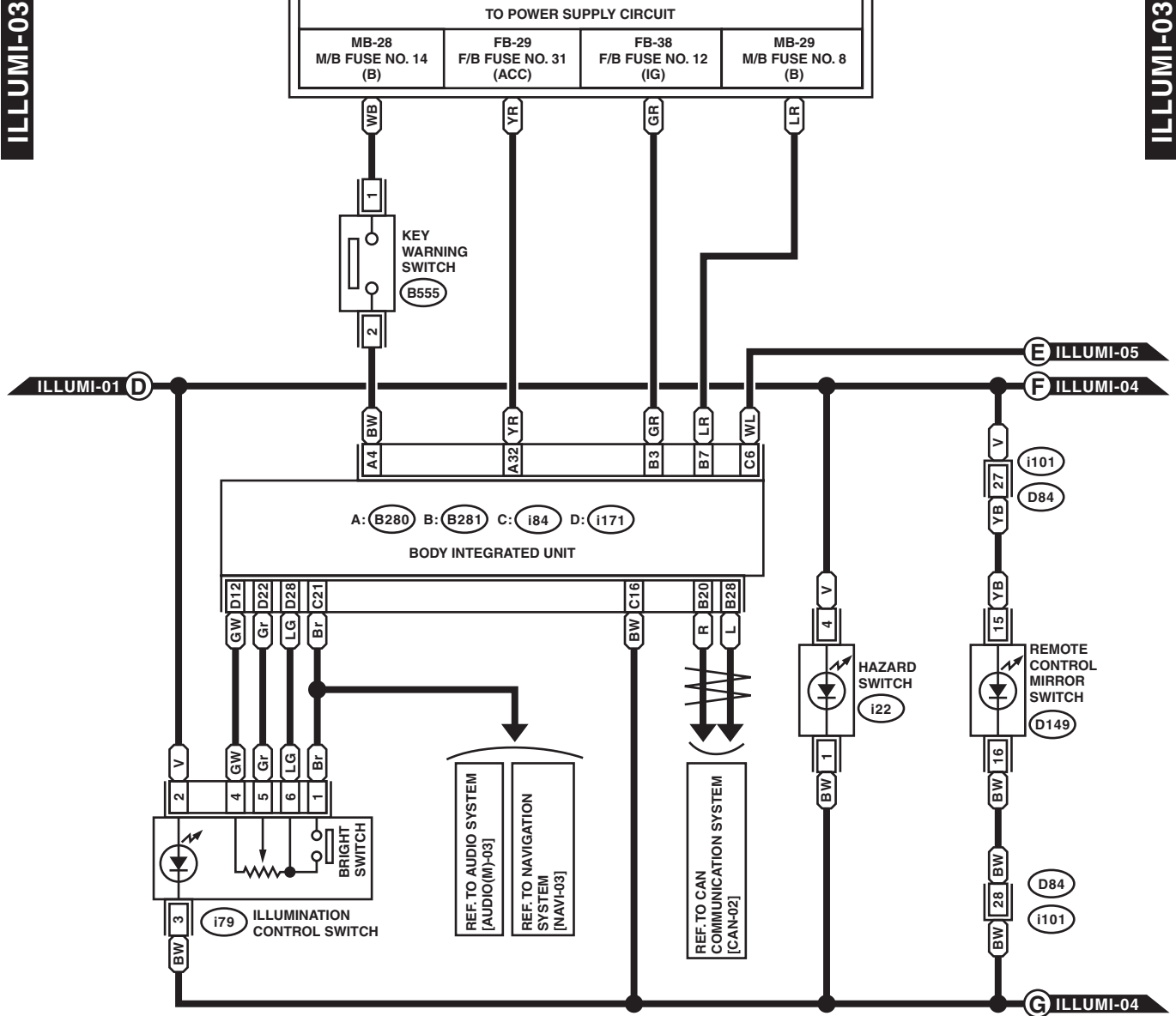
WIRING SYSTEM



WI-37820

Clearance Light and Illumination Light System

WIRING SYSTEM



WI-37821

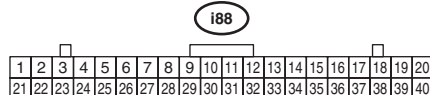
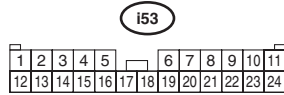
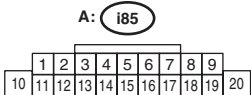
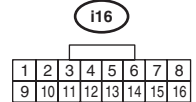
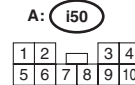
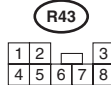
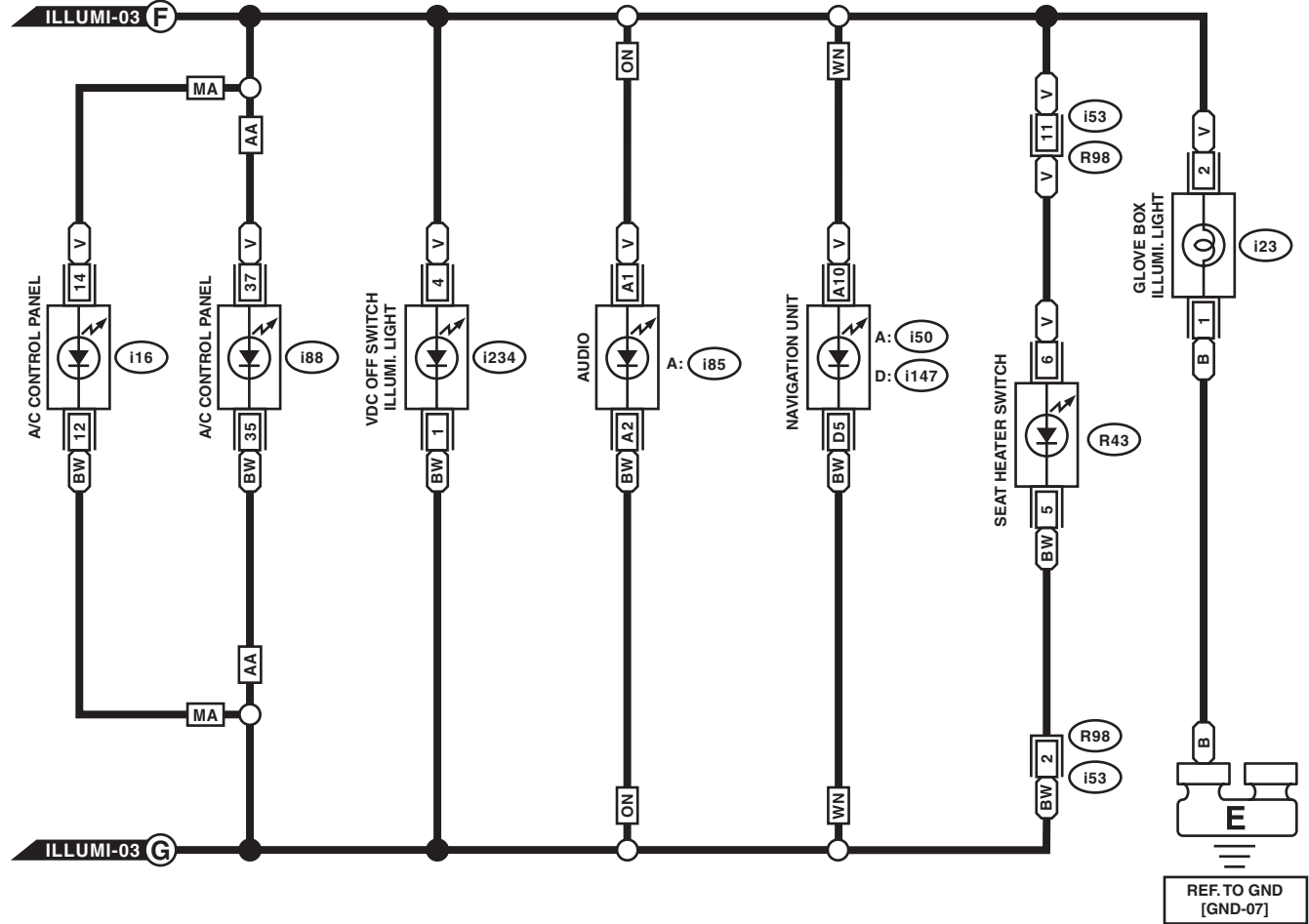
Clearance Light and Illumination Light System

WIRING SYSTEM

ILLUMI-04

ILLUMI-04

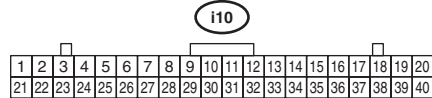
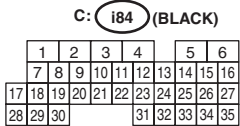
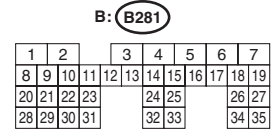
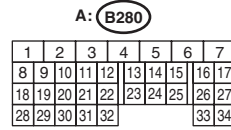
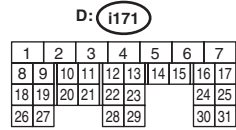
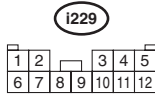
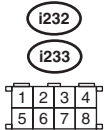
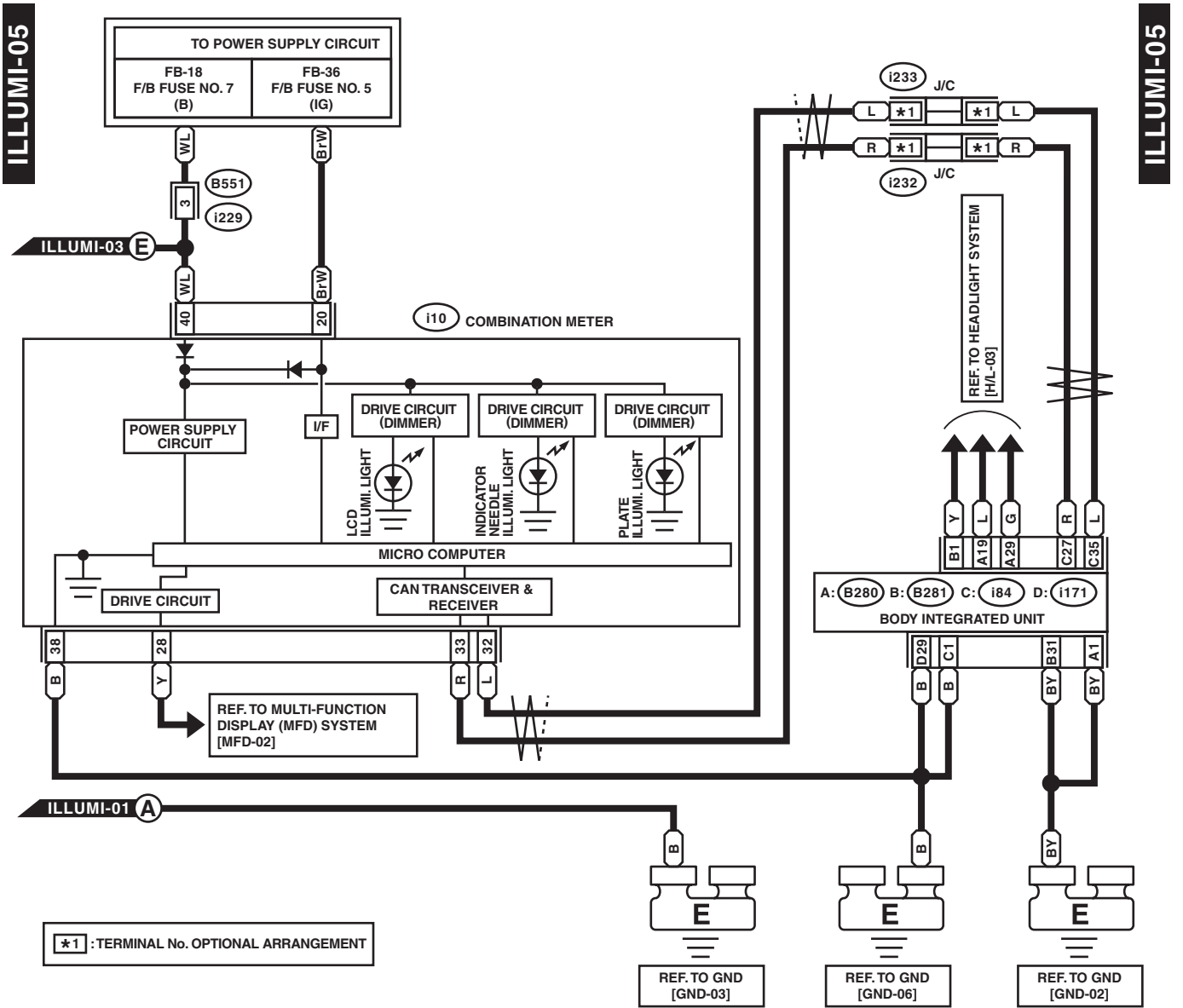
MA	: MANUAL A/C
AA	: AUTO A/C
ON	: WITHOUT NAVIGATION
WN	: WITH NAVIGATION



WI-34171

Clearance Light and Illumination Light System

WIRING SYSTEM



WI-34172