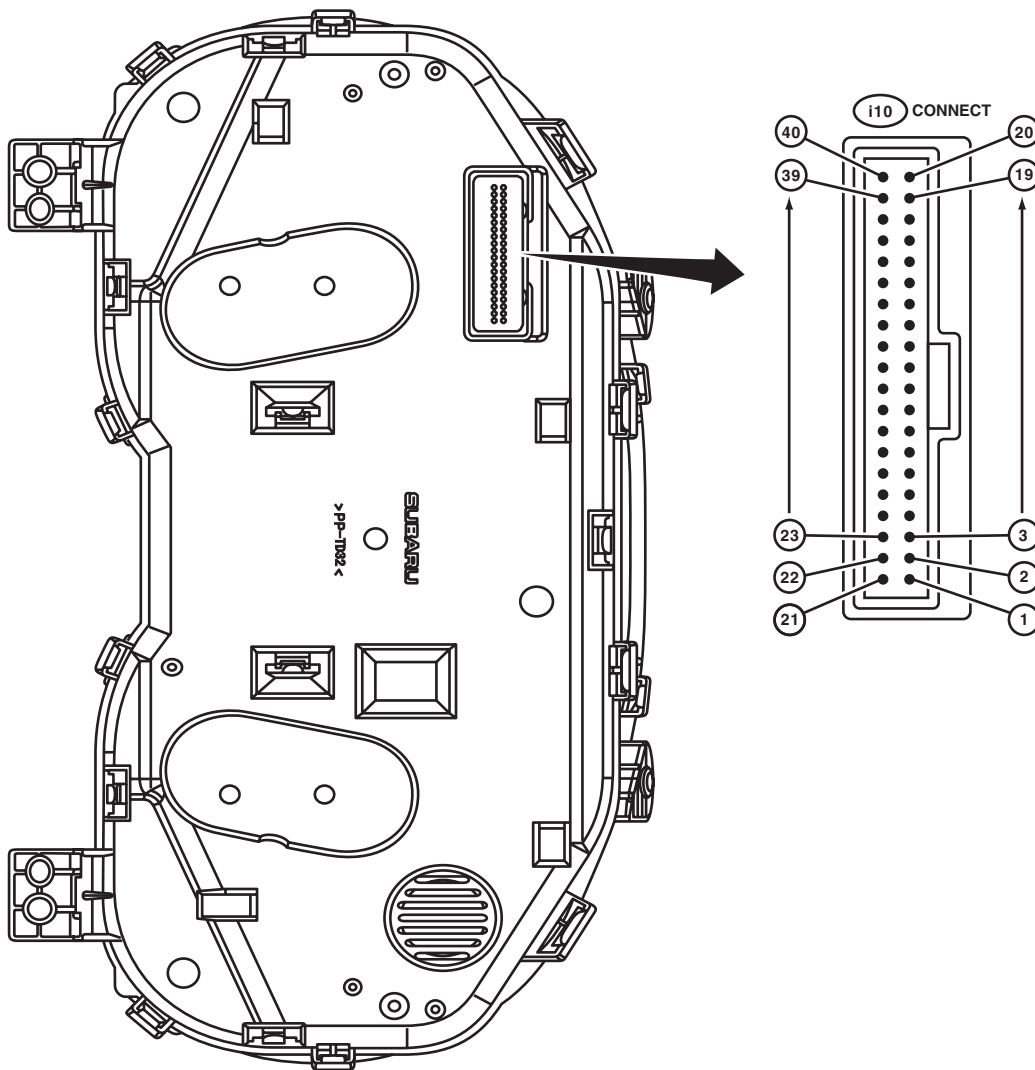


12. Combination Meter System

A: WIRING DIAGRAM

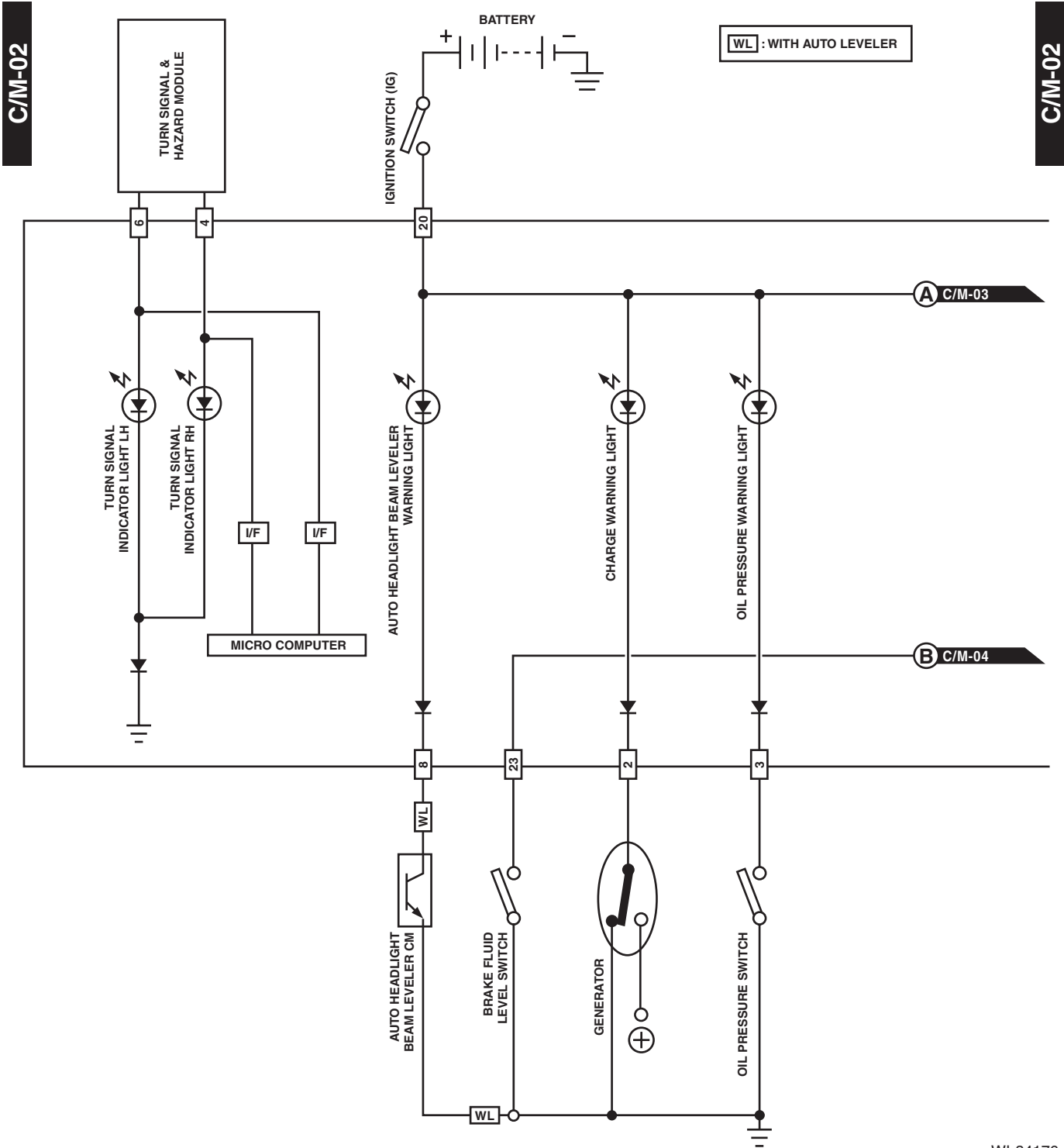
C/M-01

C/M-01



Combination Meter System

WIRING SYSTEM



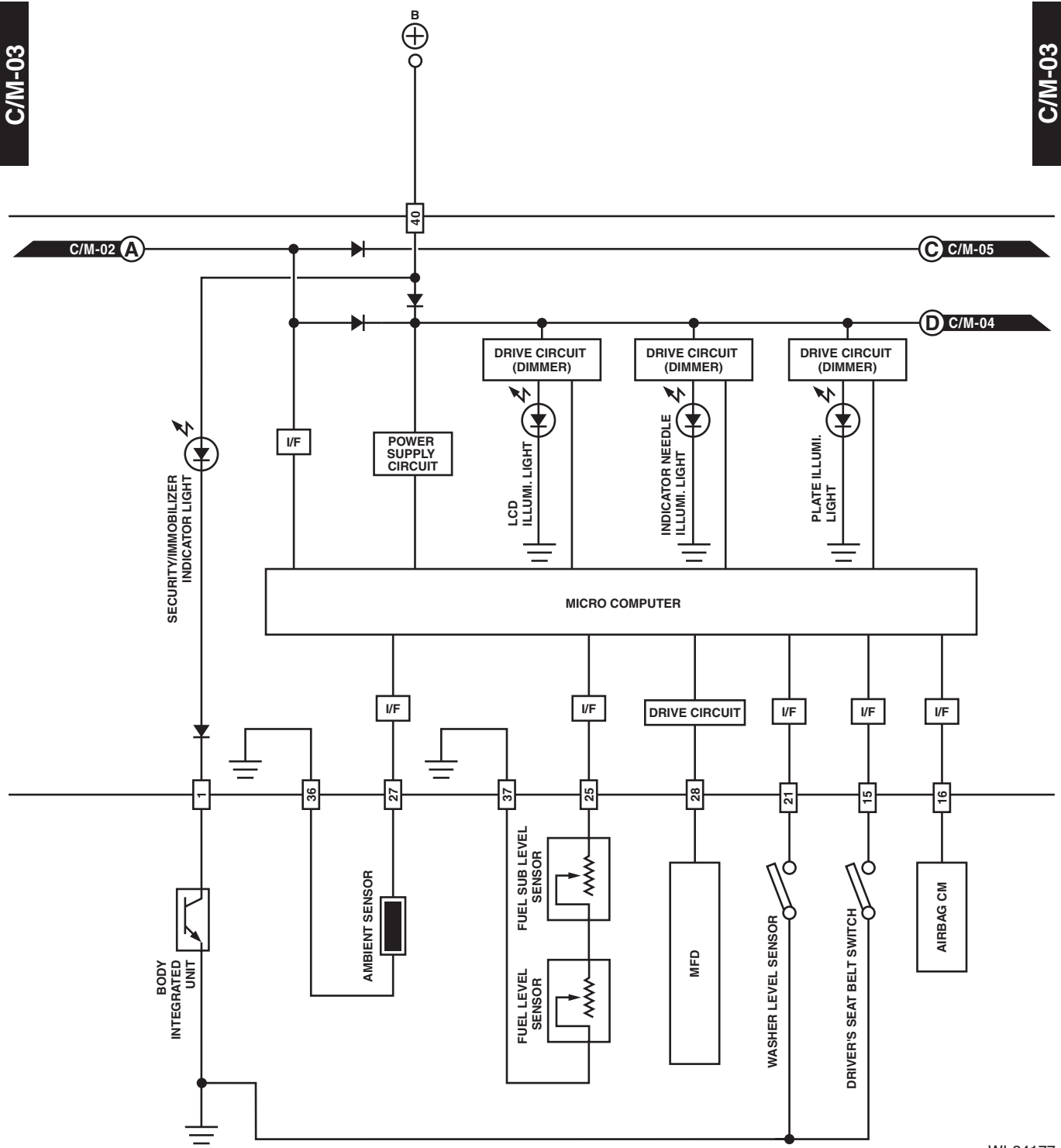
C/M-02

C/M-02

WI-34176

Combination Meter System

WIRING SYSTEM



WI-34177

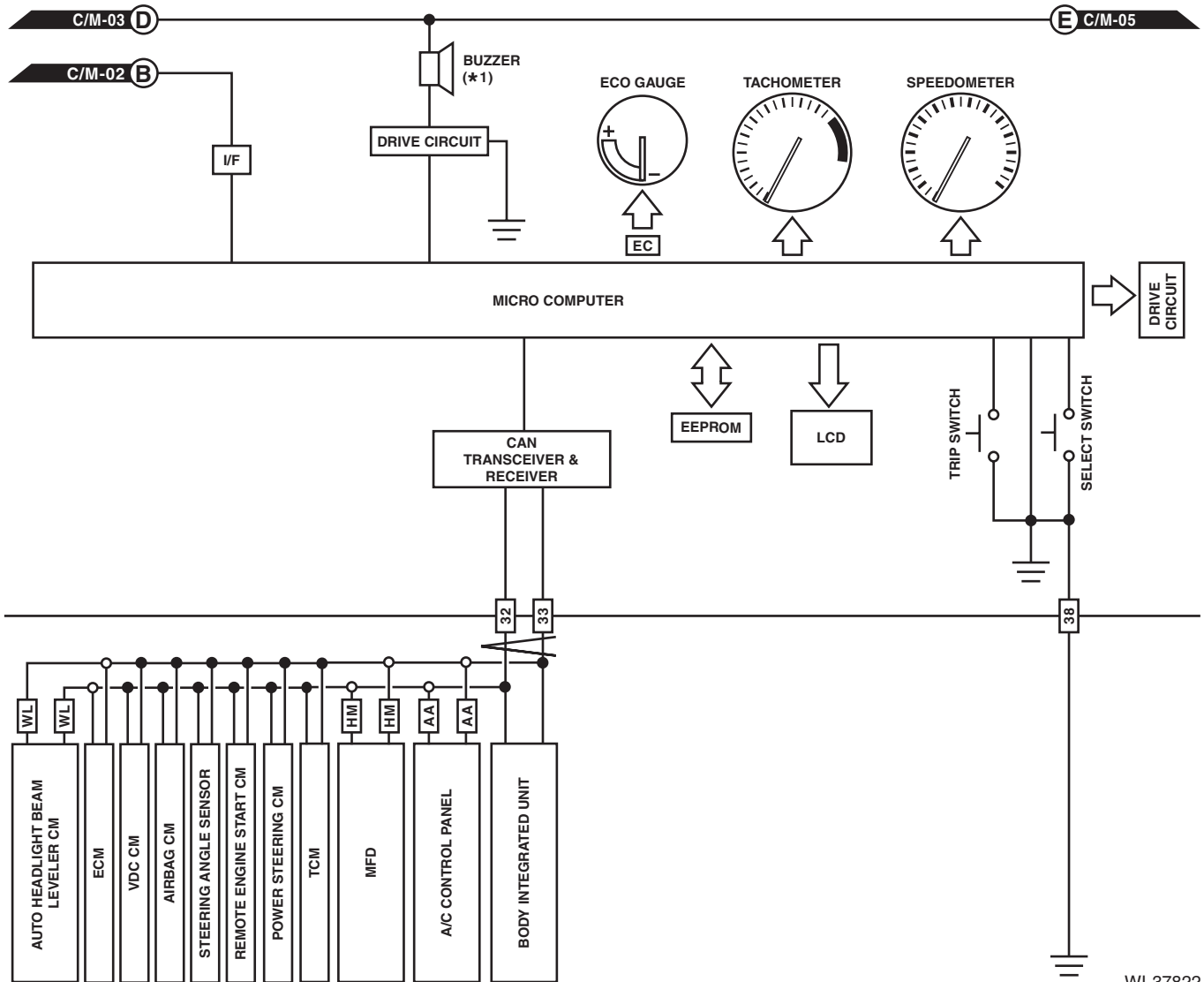
Combination Meter System

WIRING SYSTEM

C/M-04

C/M-04

AA	: AUTO A/C
HM	: HIGH GRADE MFD
EC	: WITH ECO GAUGE
WL	: WITH AUTO LEVELER
*1 : SEAT BELT KEY WARNING HEADLIGHT ON WARNING CUSTOMIZED MANUAL SHIFT	



WI-37822

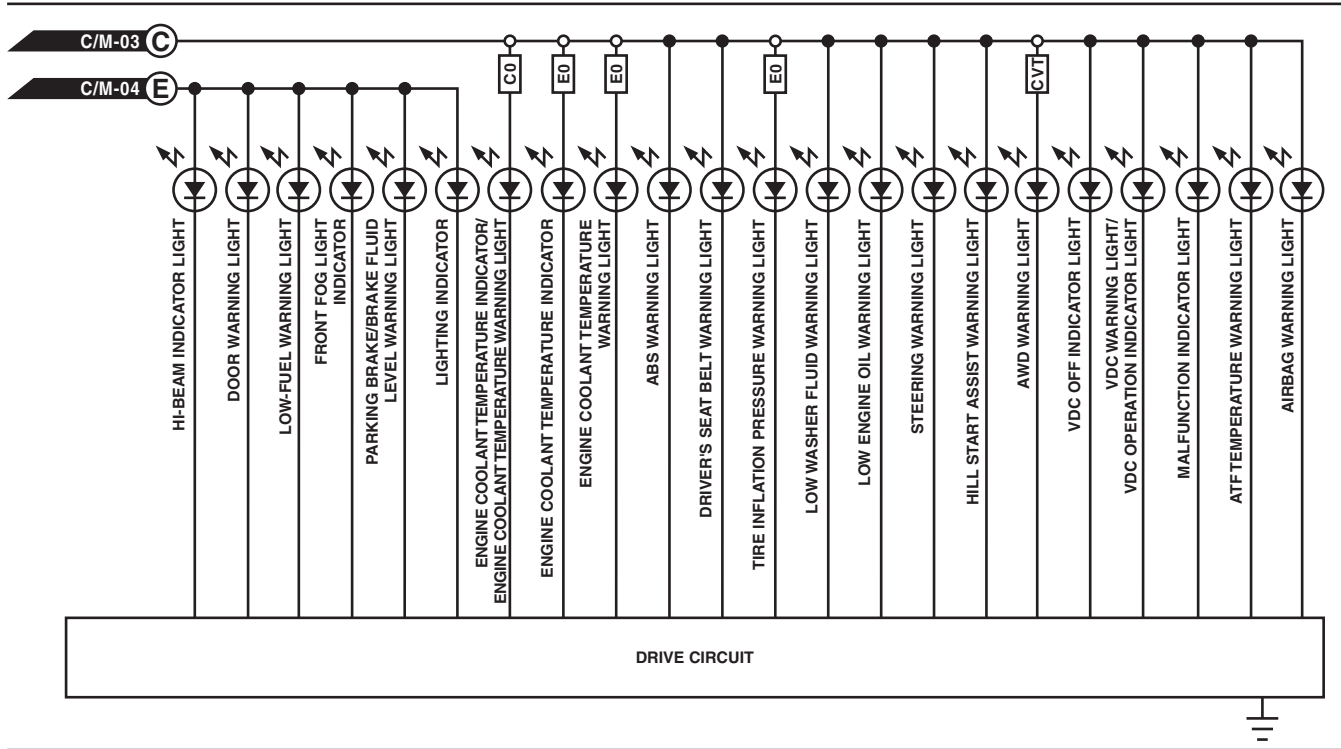
Combination Meter System

WIRING SYSTEM

C/M-05

C/M-05

C0	: C0 MODEL
E0	: EXCEPT FOR C0 MODEL



WI-37823