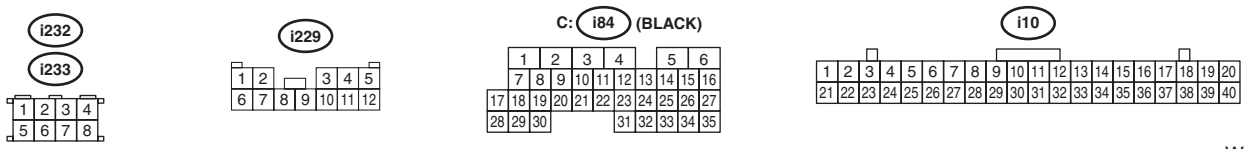
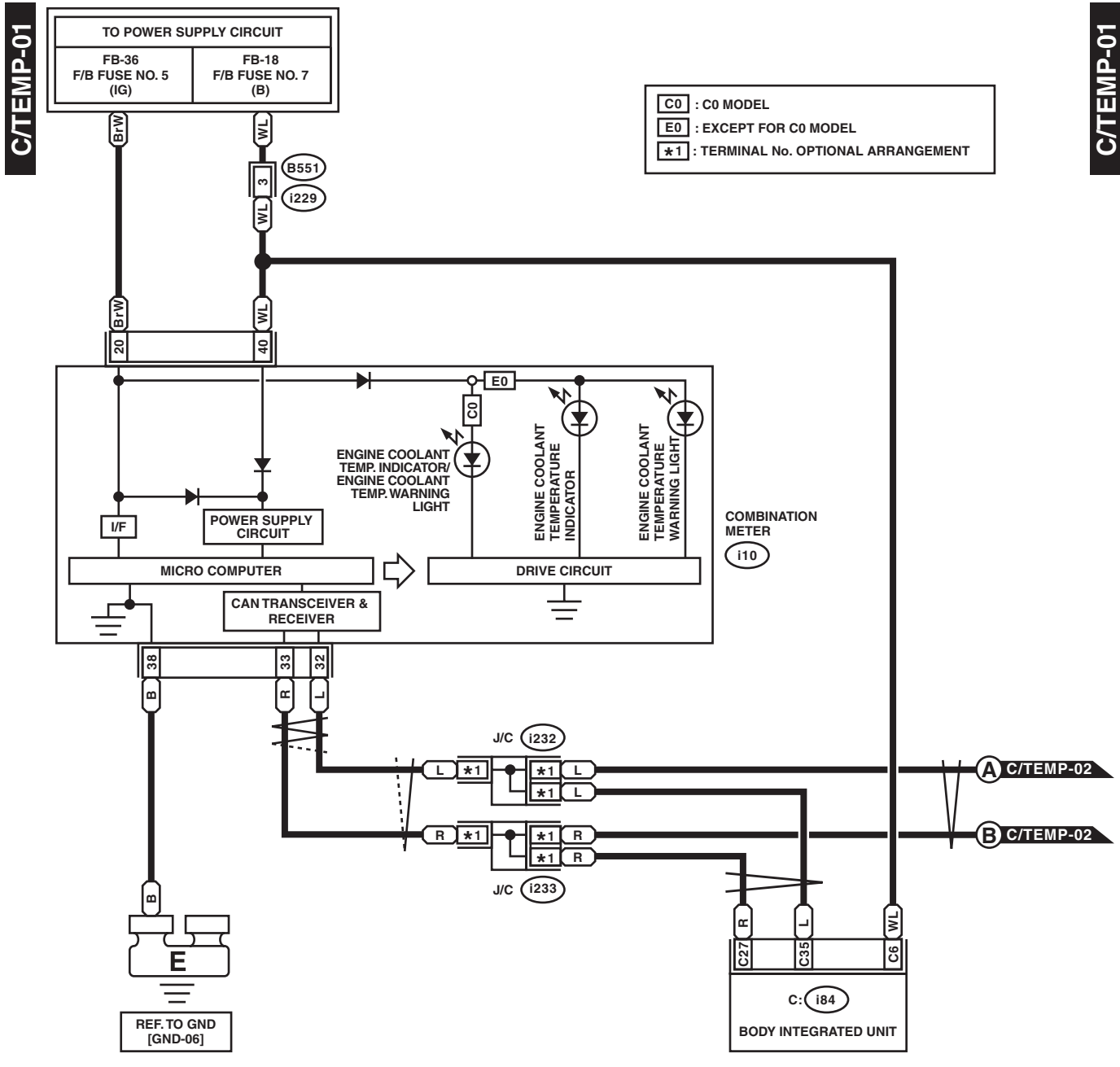


13. Coolant Temperature System

A: WIRING DIAGRAM



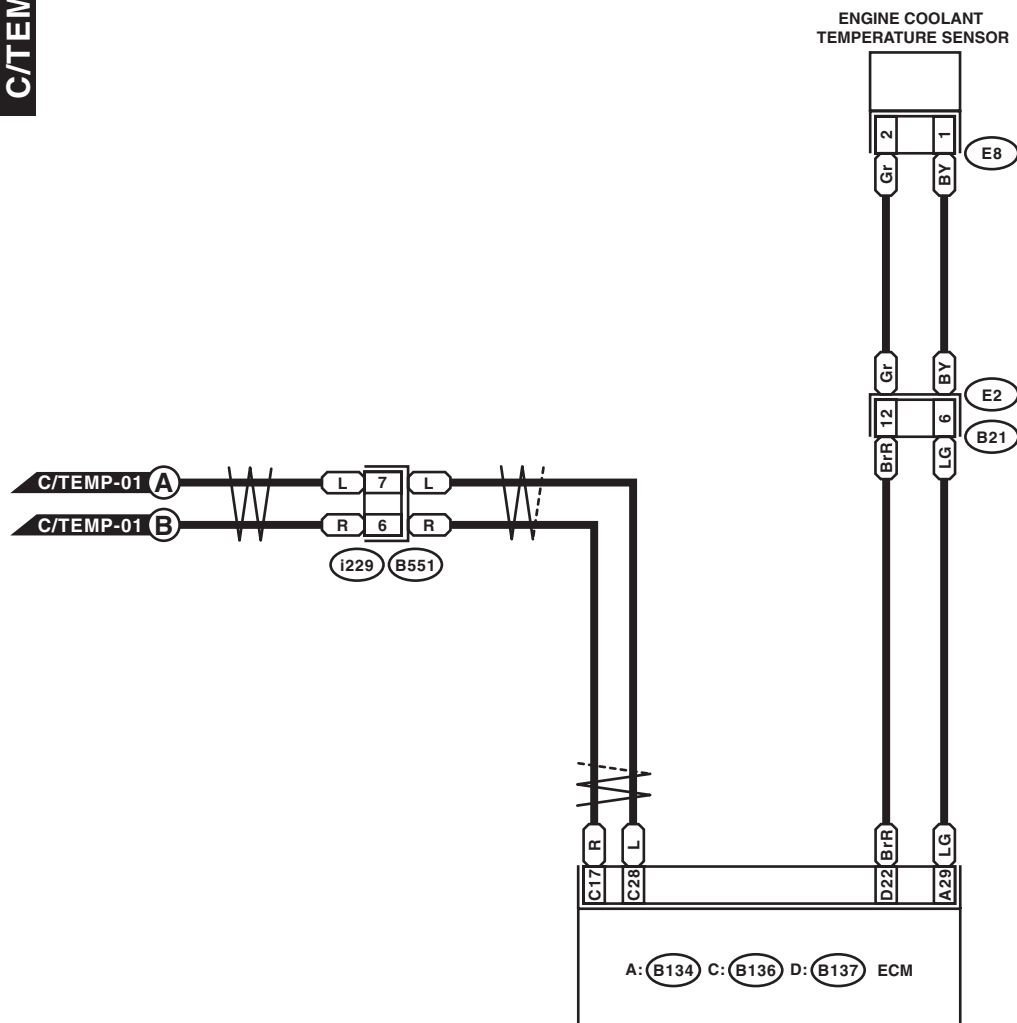
WI-34180

Coolant Temperature System

WIRING SYSTEM

C/TEMP-02

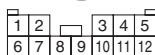
C/TEMP-02



E8 (BLACK)



i229



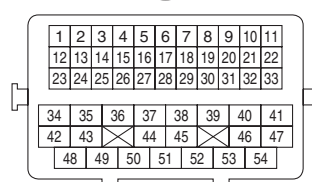
D: B137



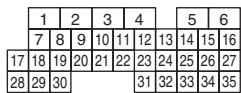
A: B134



B21 (BLACK)



C: B136



WI-37824