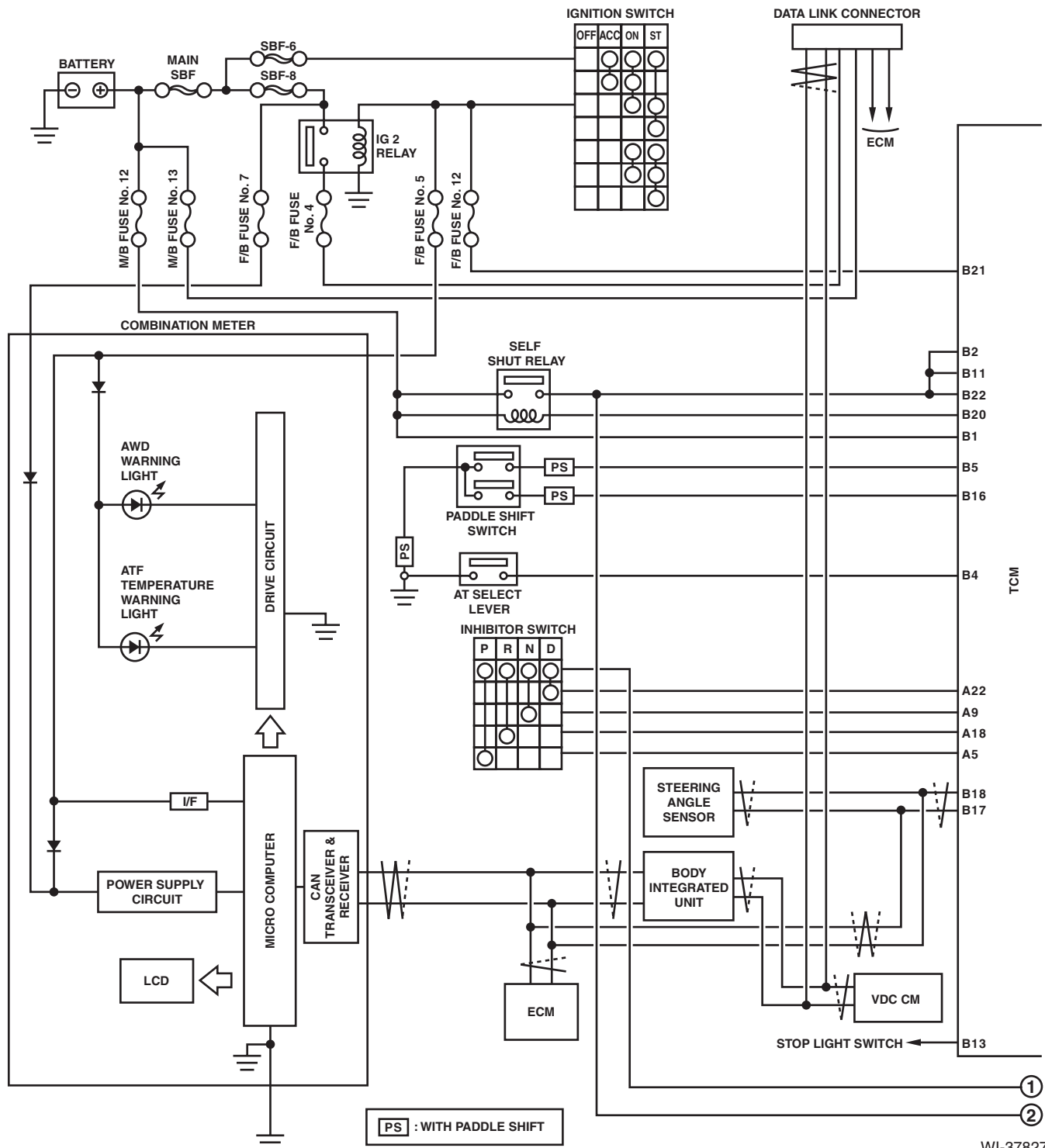


CVT Control System

WIRING SYSTEM

15. CVT Control System

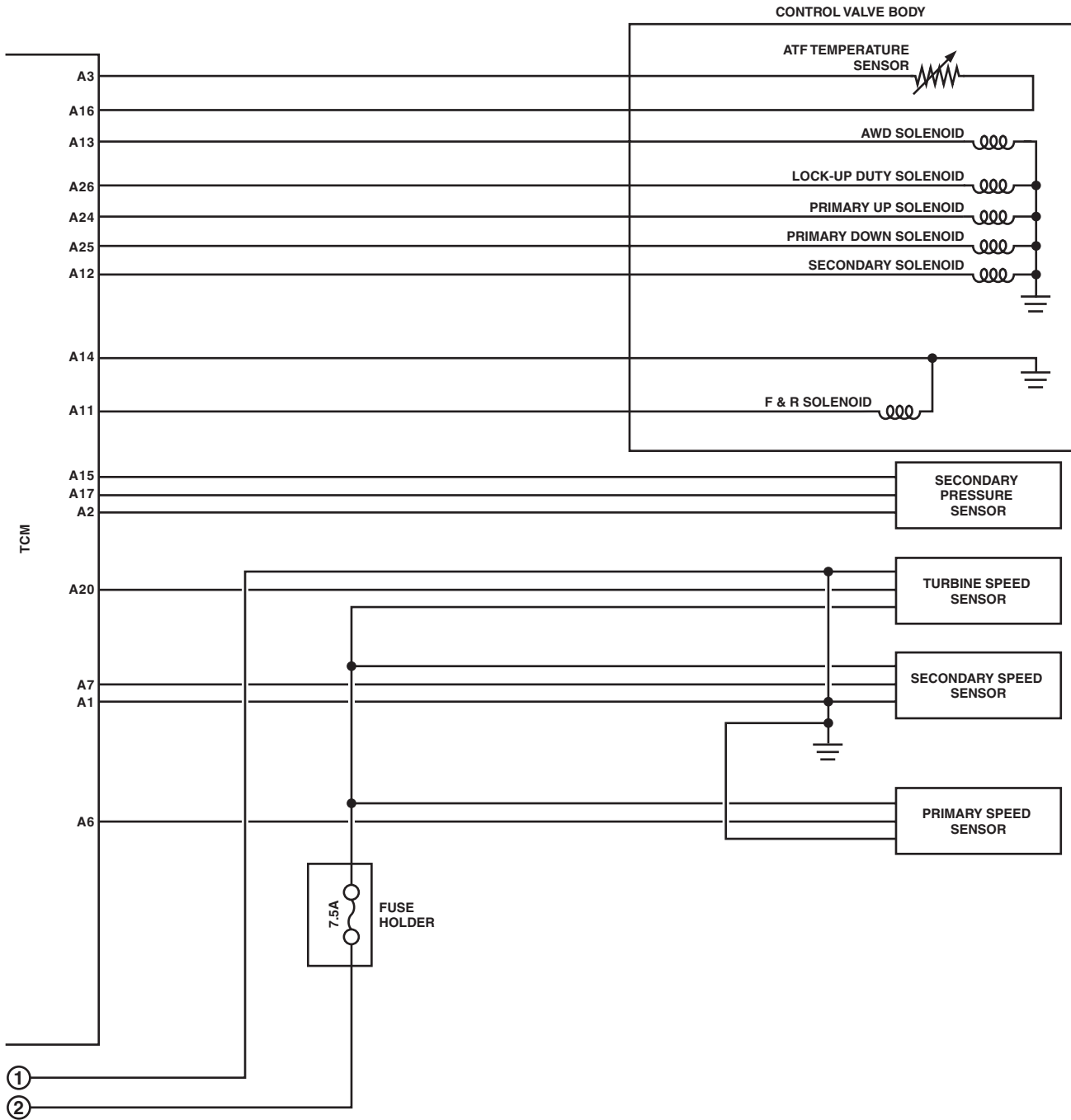
A: WIRING DIAGRAM



WI-37827

CVT Control System

WIRING SYSTEM



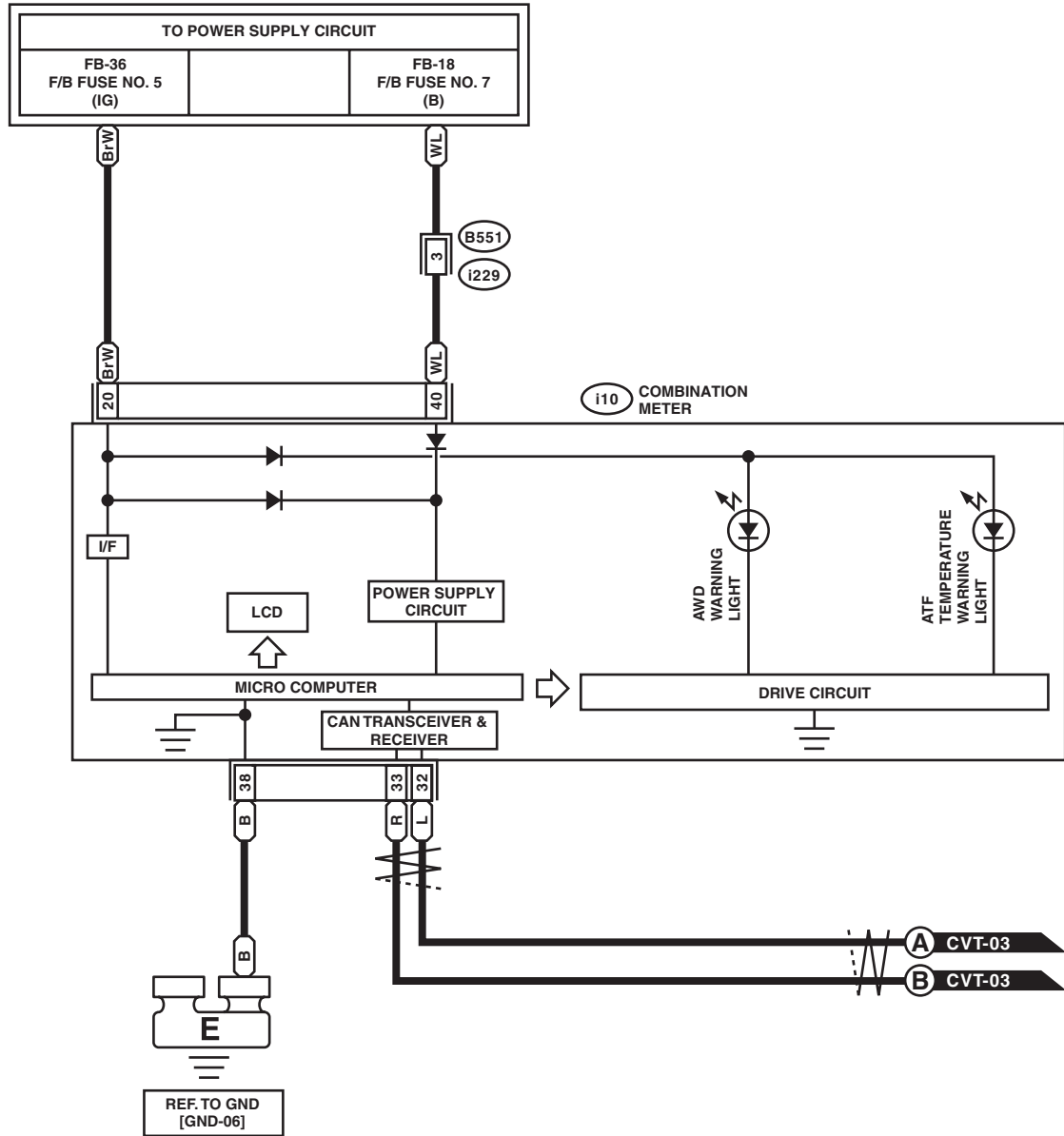
WI-34187

CVT Control System

WIRING SYSTEM

CVT-01

CVT-01



i229

1	2	3	4	5
6	7	8	9	10
11	12			

i10

1	2	3	4	5	6	7	8	9	10	11	12	13	14	15	16	17	18	19	20
21	22	23	24	25	26	27	28	29	30	31	32	33	34	35	36	37	38	39	40

WI-34188

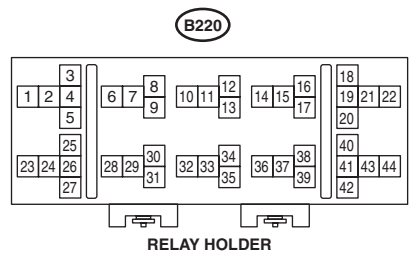
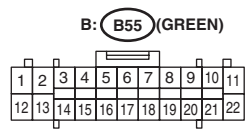
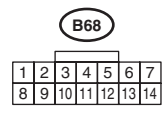
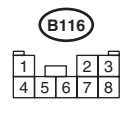
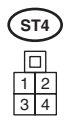
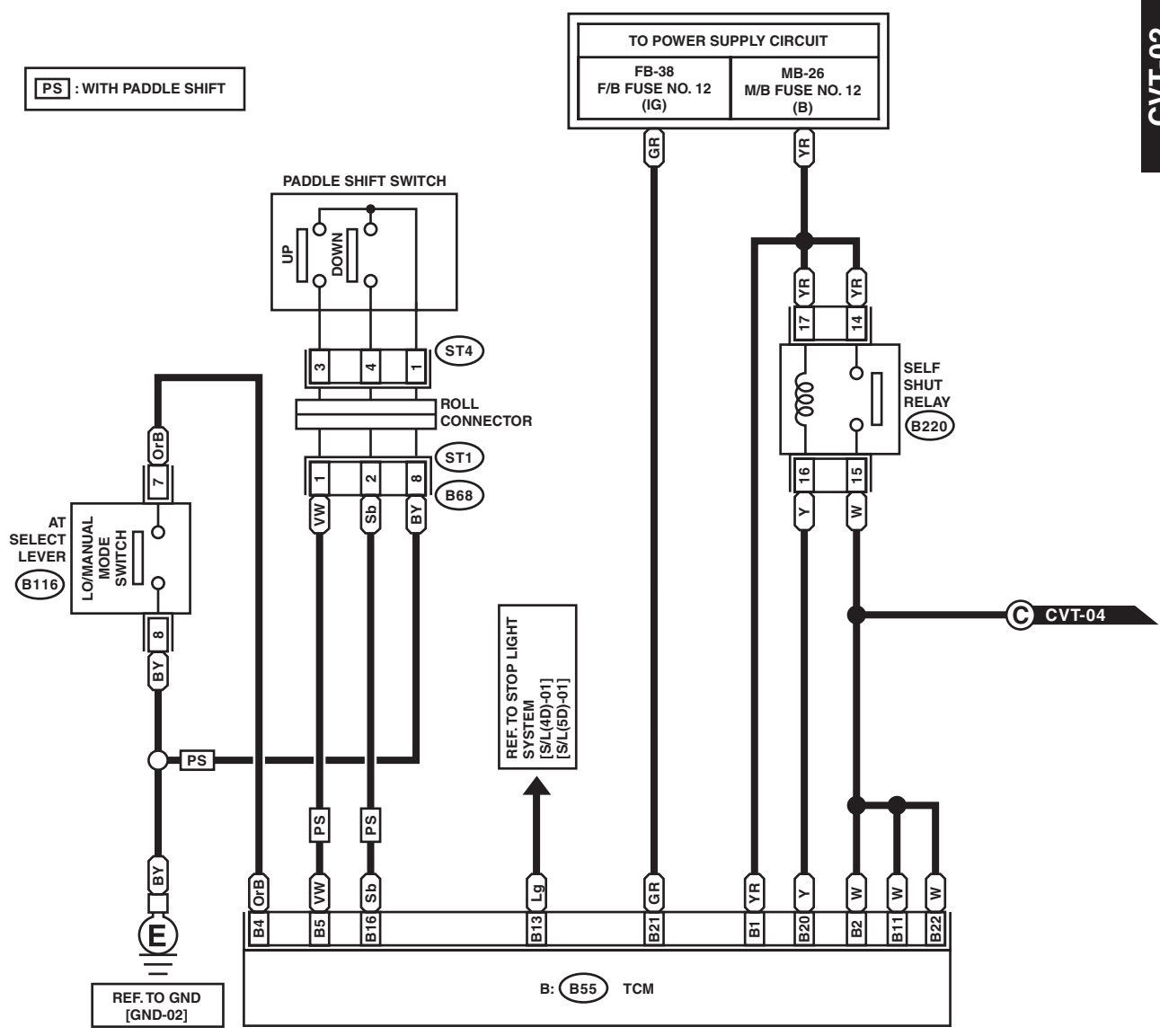
CVT Control System

WIRING SYSTEM

CVT-02

CVT-02

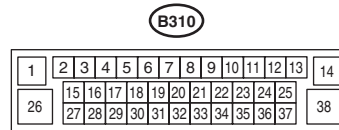
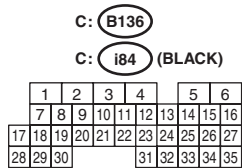
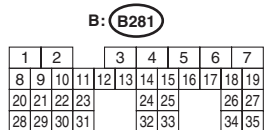
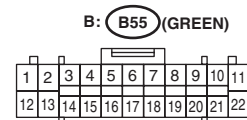
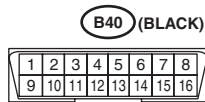
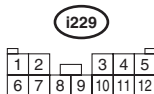
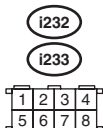
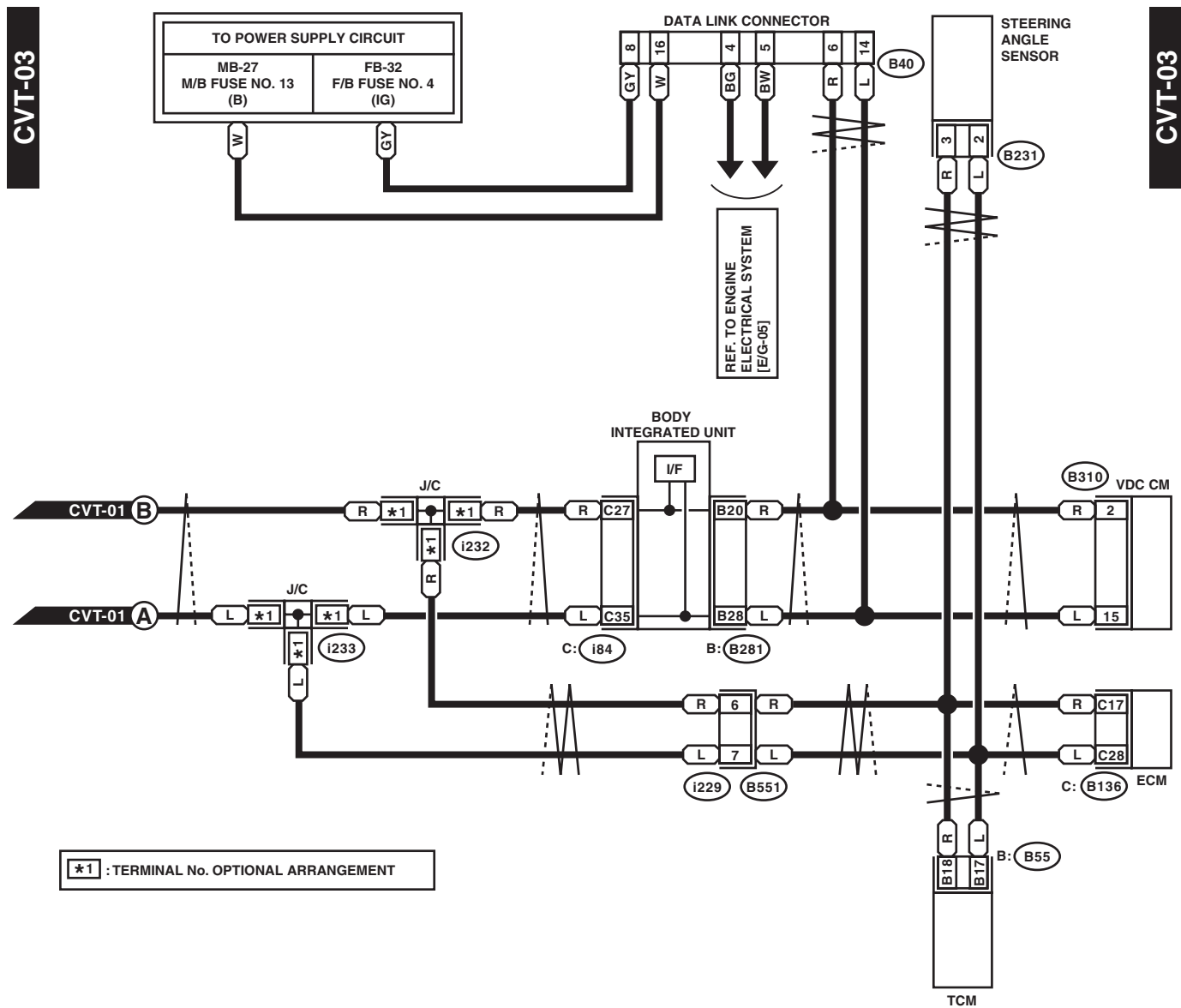
PS : WITH PADDLE SHIFT



WI-37828

CVT Control System

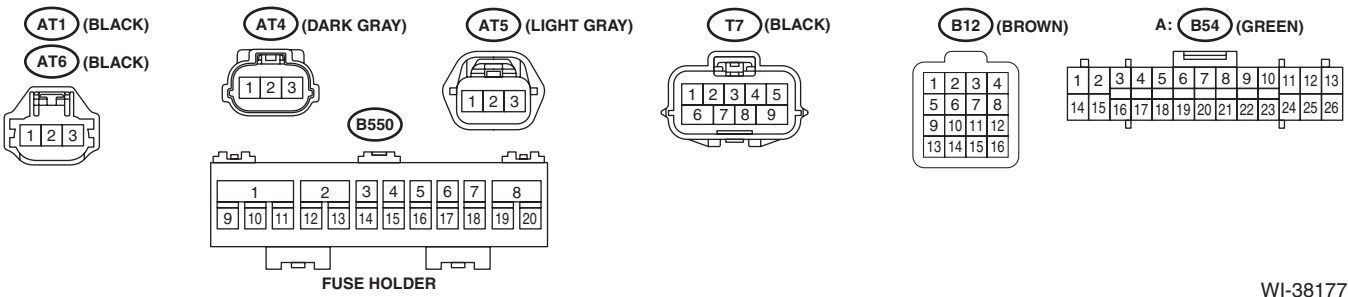
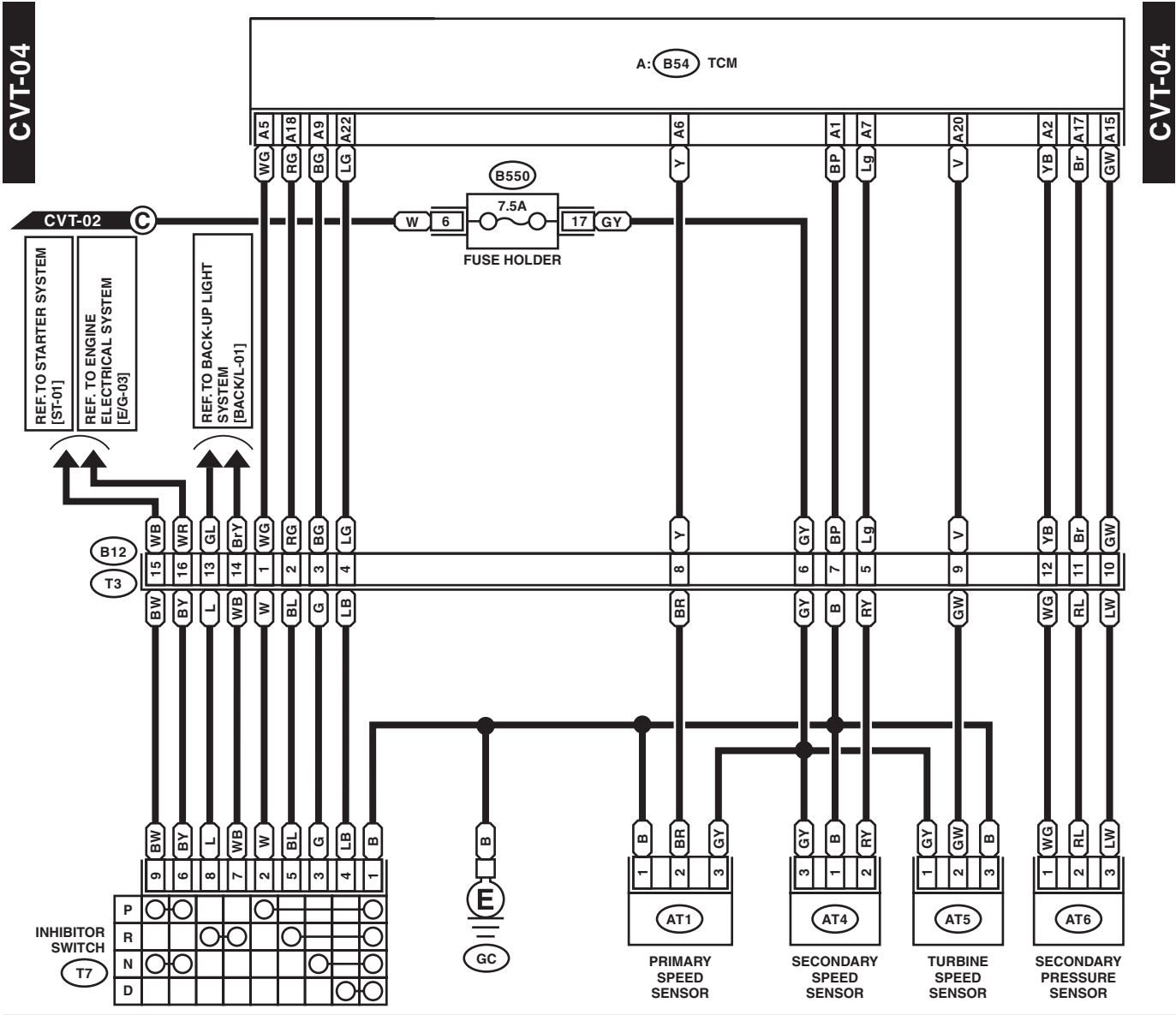
WIRING SYSTEM



WI-37829

CVT Control System

WIRING SYSTEM



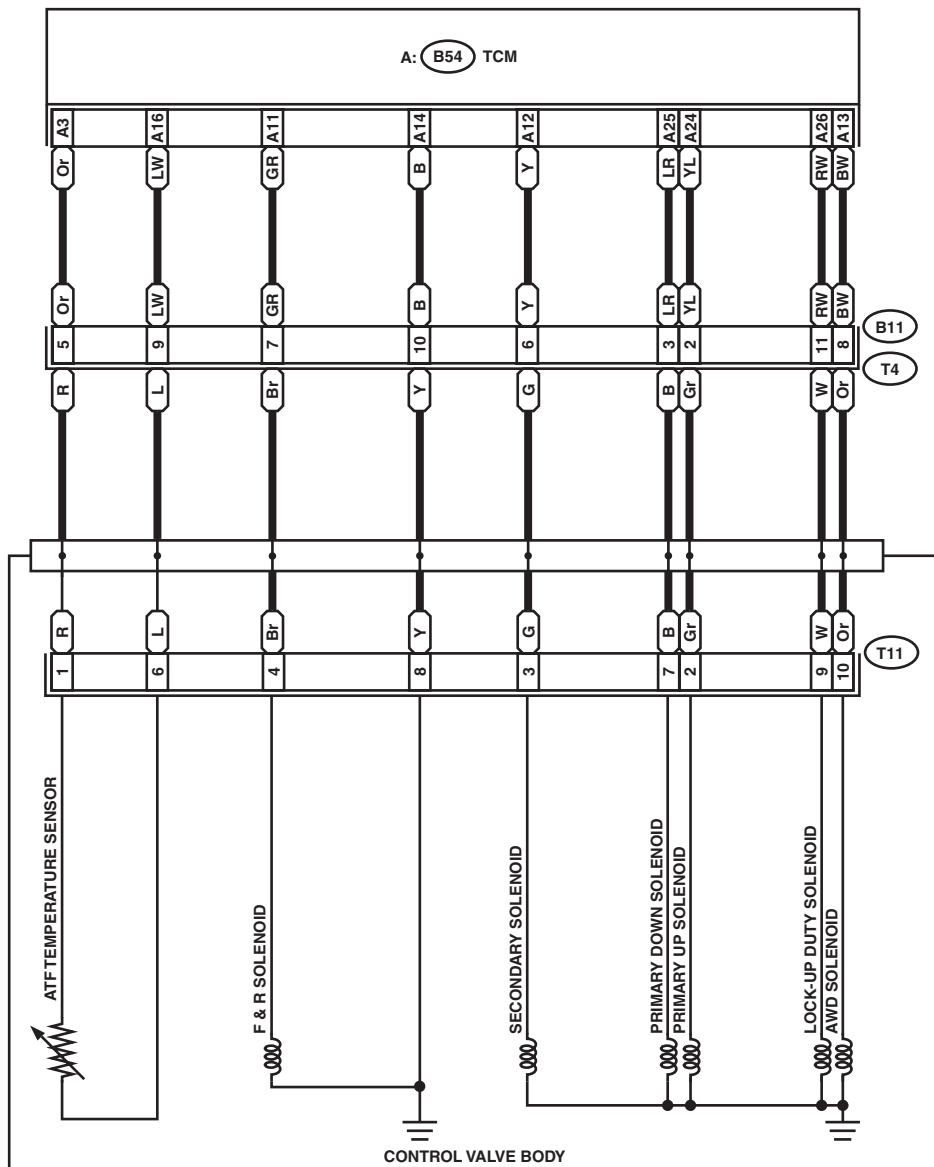
WI-38177

CVT Control System

WIRING SYSTEM

CVT-05

CVT-05



T11

B11 (LIGHT GRAY)

A: B54 (GREEN)

1	2	3	4	5
6	7	8	9	10

1	2	3	4
5	6	7	8
9	10	11	12

1	2	3	4	5	6	7	8	9	10	11	12	13
14	15	16	17	18	19	20	21	22	23	24	25	26

WI-34192