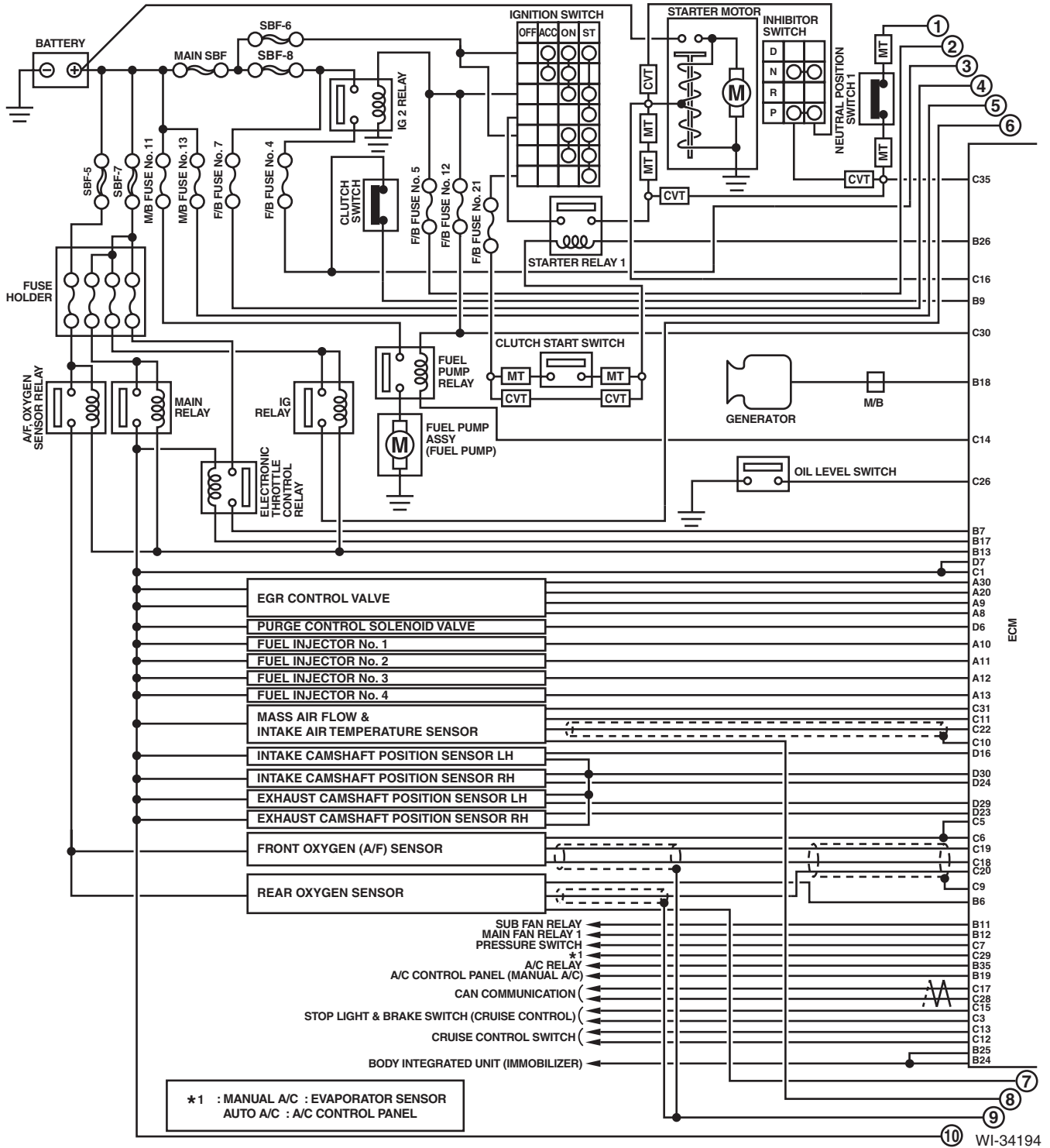


Engine Electrical System

WIRING SYSTEM

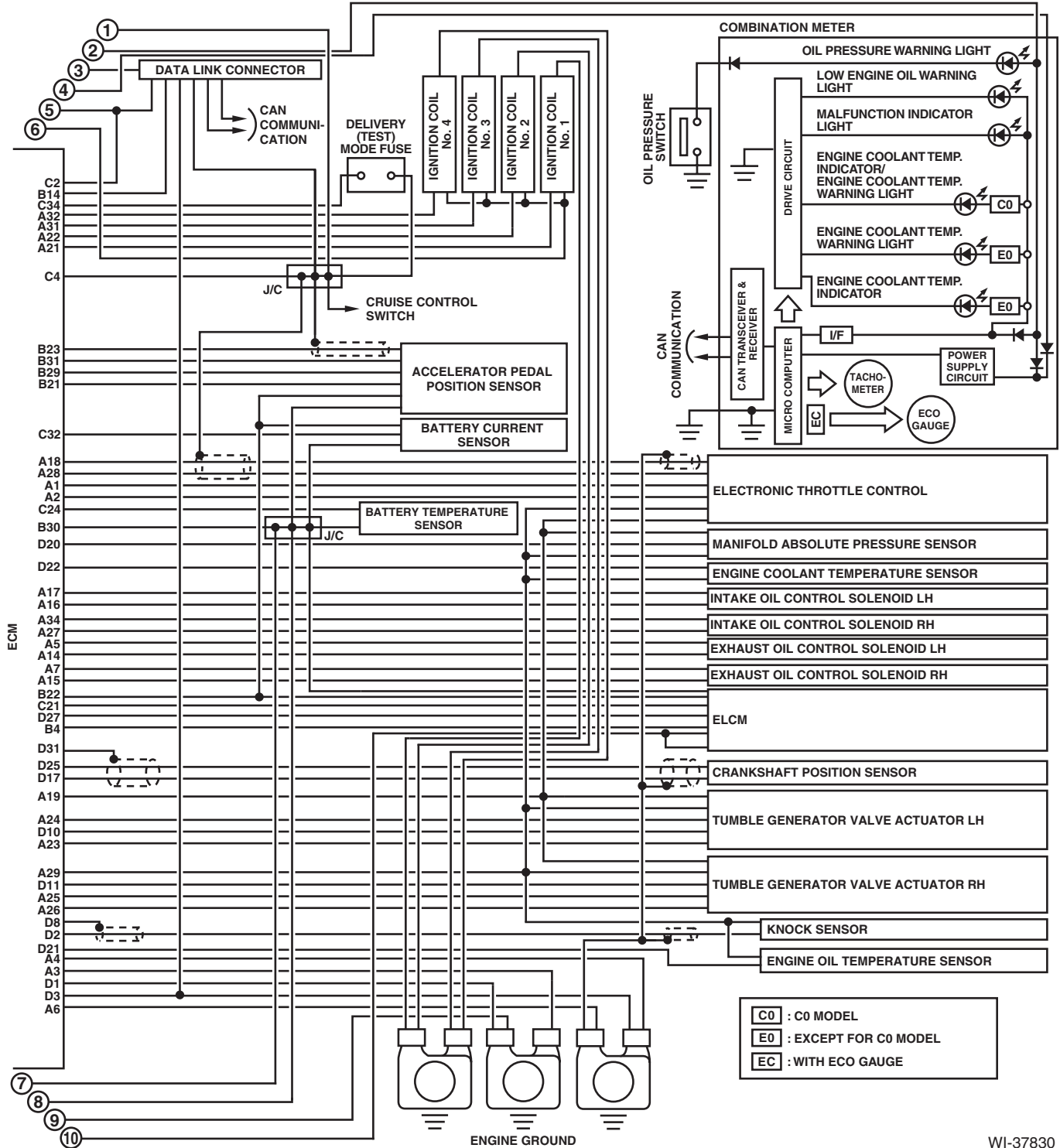
17.Engine Electrical System

A: WIRING DIAGRAM



Engine Electrical System

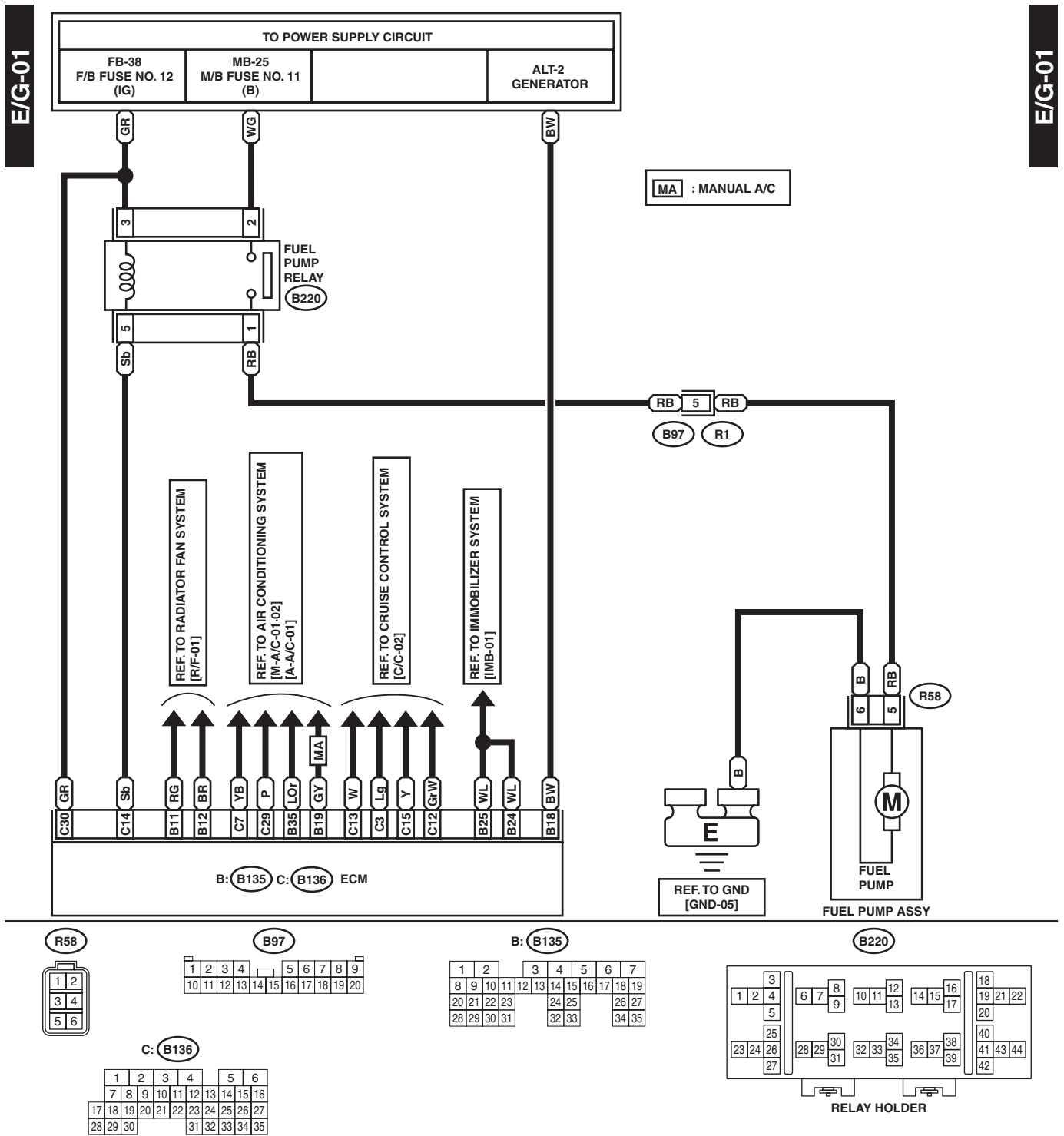
WIRING SYSTEM



WI-37830

Engine Electrical System

WIRING SYSTEM



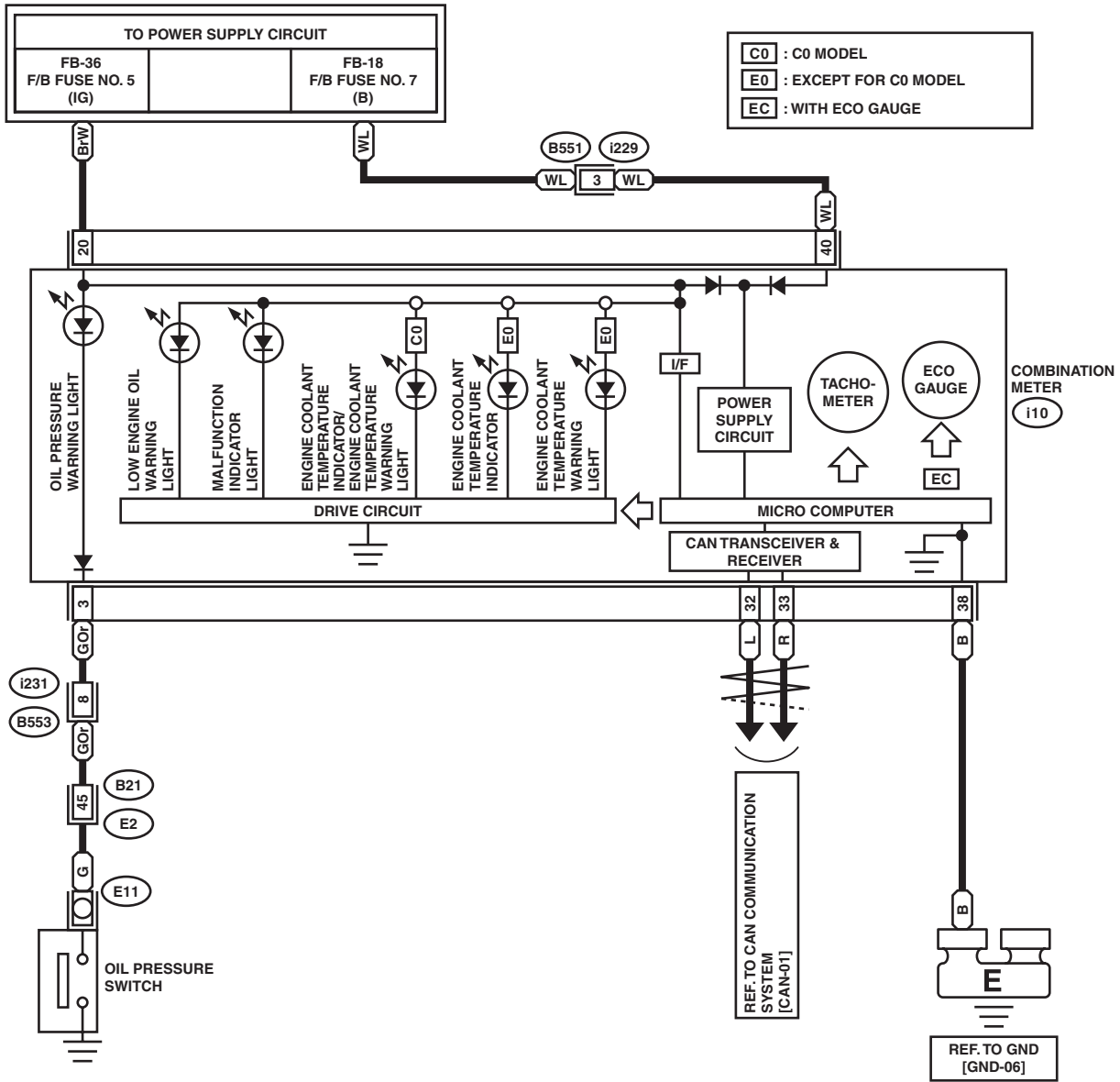
WI-34196

Engine Electrical System

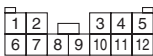
WIRING SYSTEM

E/G-02

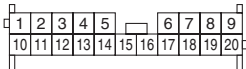
E/G-02



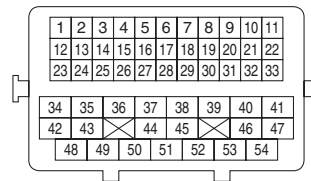
i229



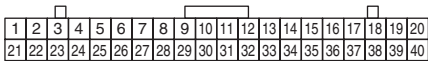
i231



B21 (BLACK)



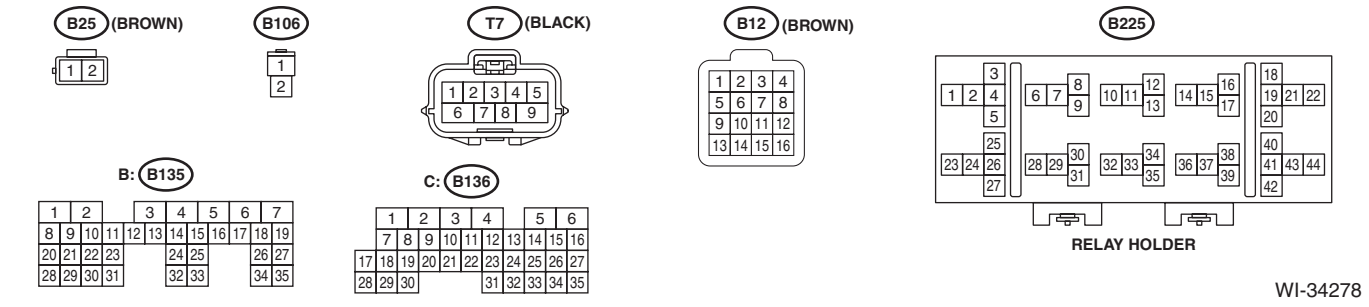
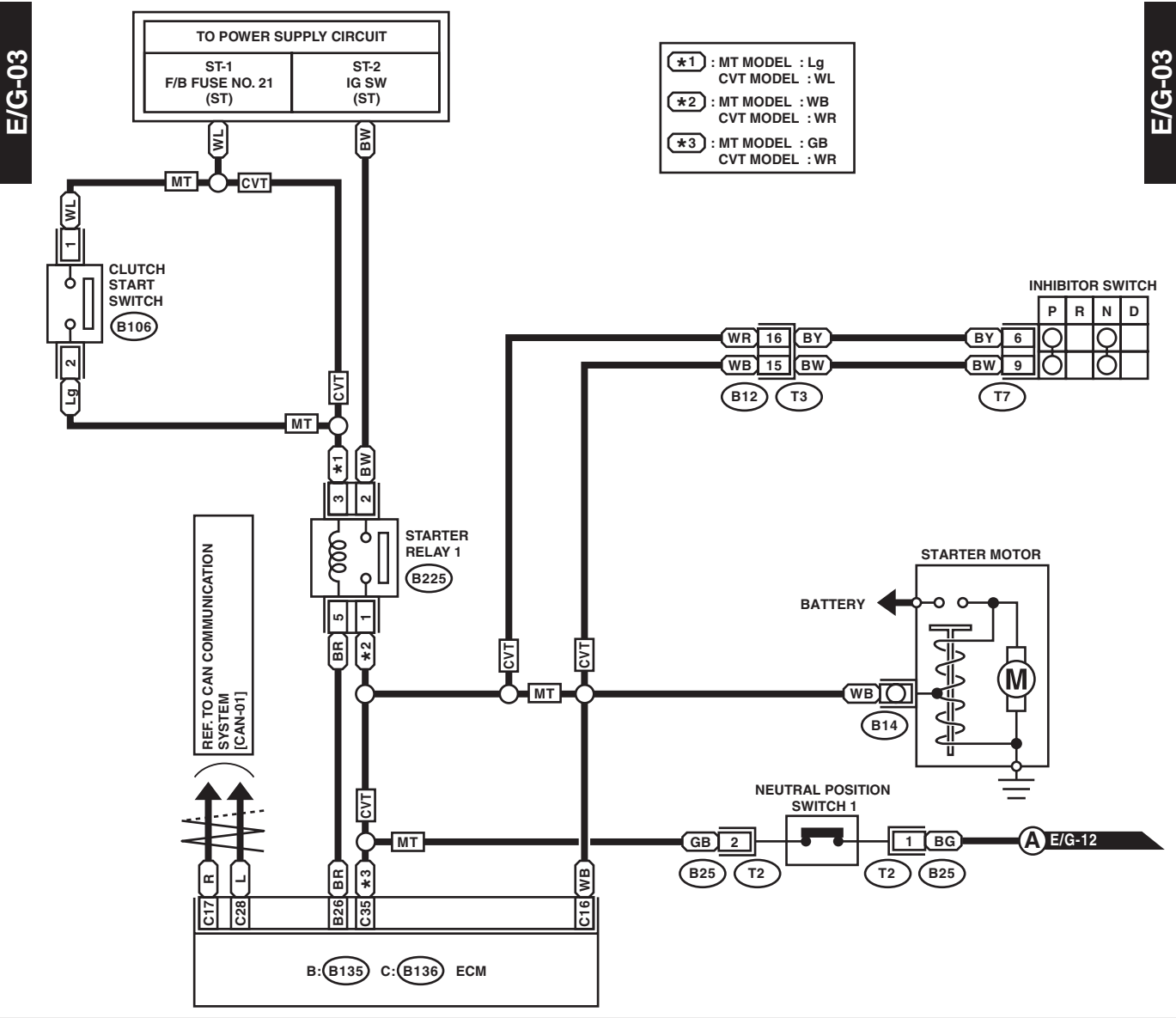
i10



WI-37831

Engine Electrical System

WIRING SYSTEM



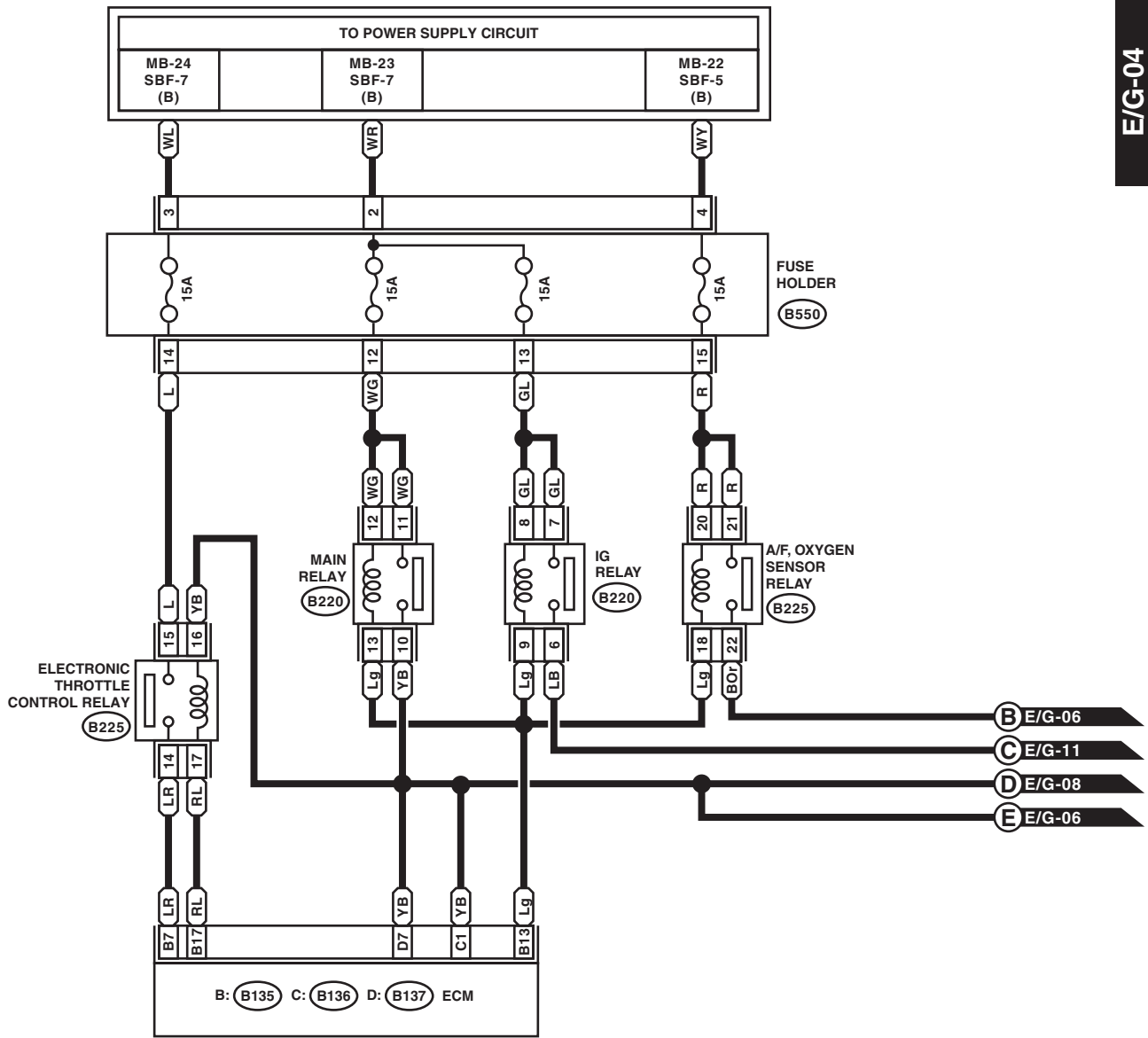
WI-34278

Engine Electrical System

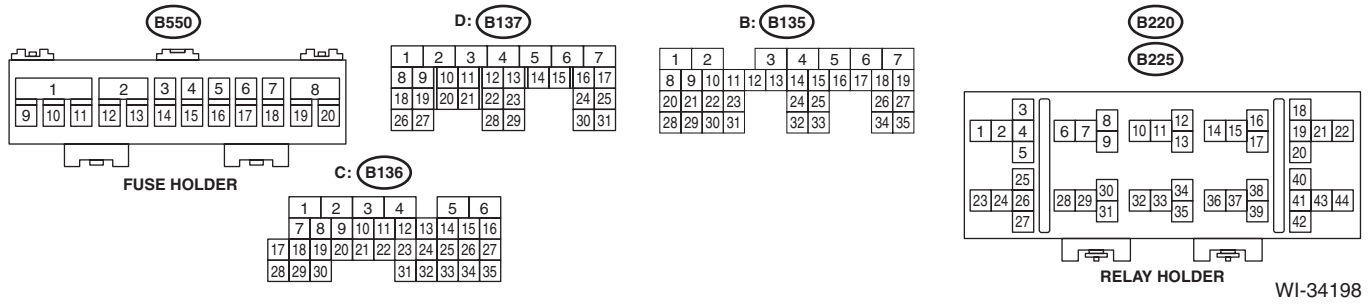
WIRING SYSTEM

E/G-04

E/G-04



- B** E/G-06
- C** E/G-11
- D** E/G-08
- E** E/G-06



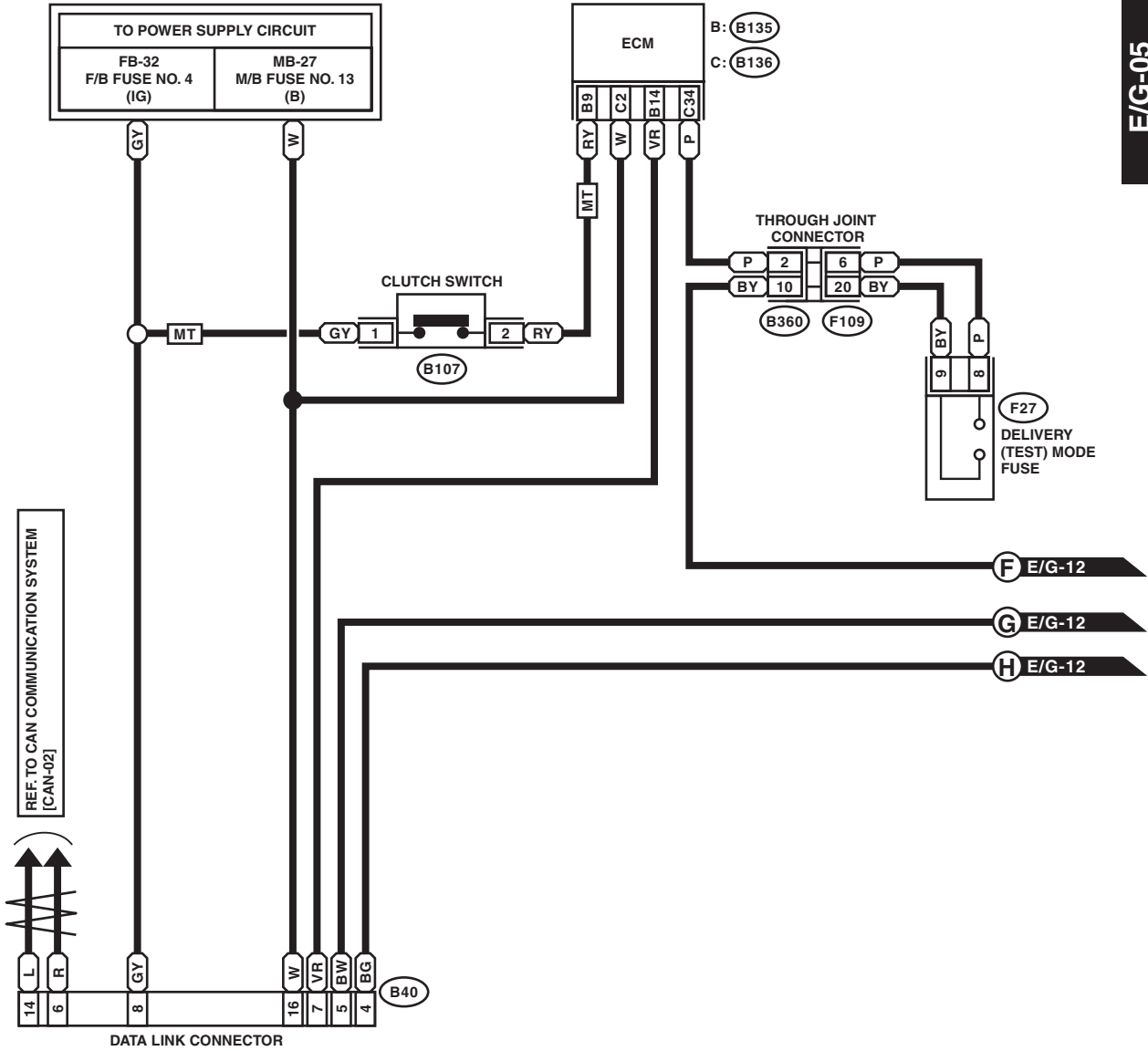
WI-34198

Engine Electrical System

WIRING SYSTEM

E/G-05

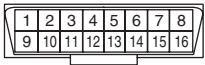
E/G-05



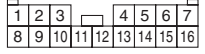
(B107) (BLUE)



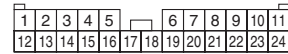
(B40) (BLACK)



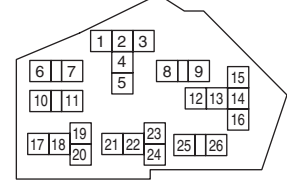
(B360) (GRAY)



(F109)

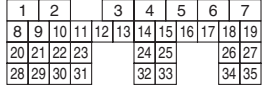


(F27)



RELAY HOLDER

B: (B135)



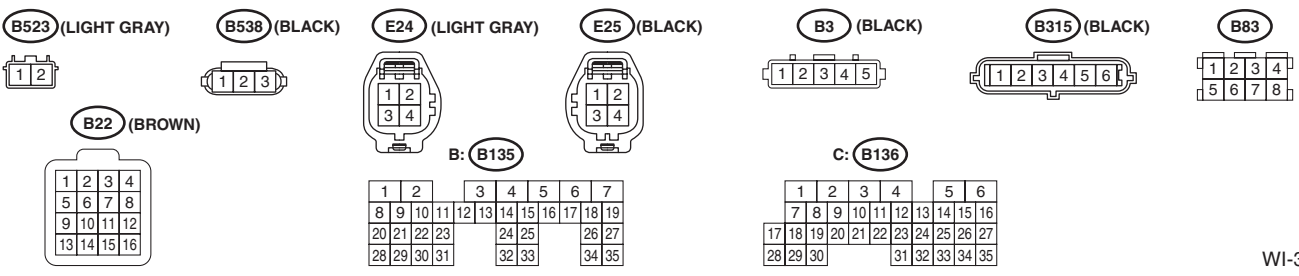
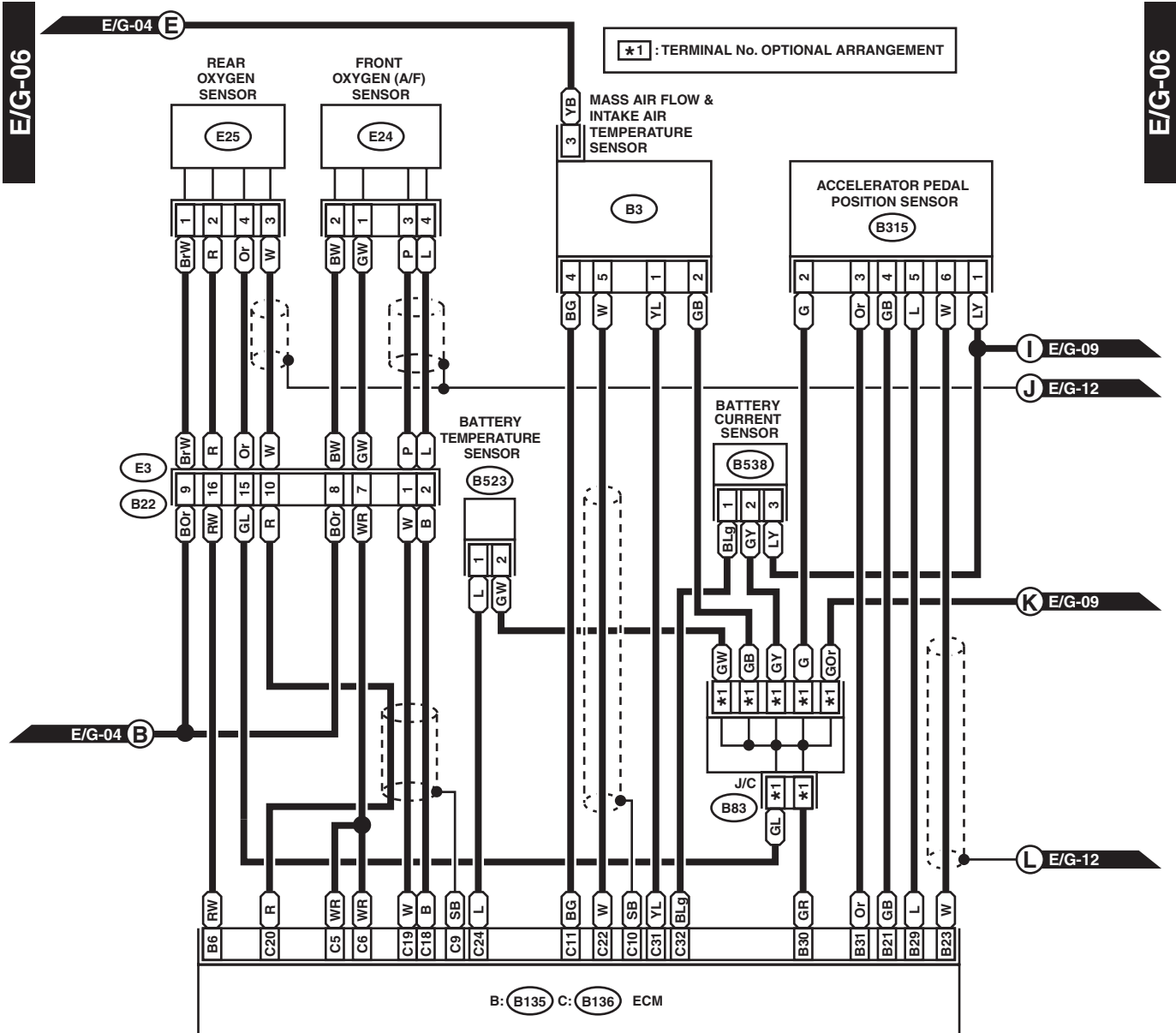
C: (B136)



WI-37832

Engine Electrical System

WIRING SYSTEM



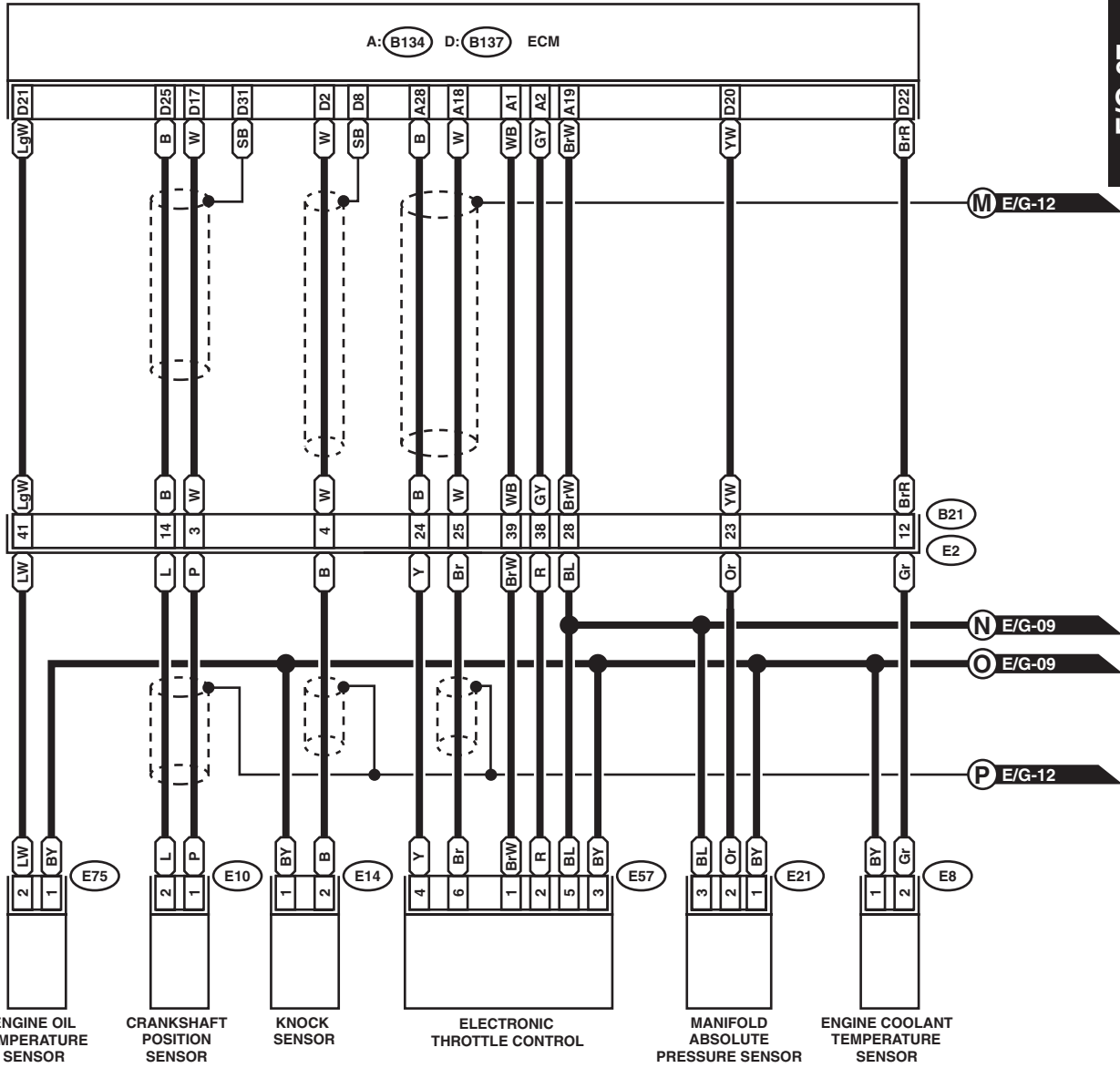
WI-34200



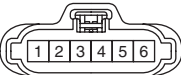

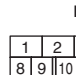
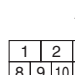

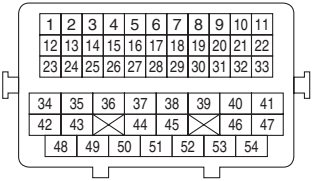
Engine Electrical System

WIRING SYSTEM

E/G-07

E/G-07



E8 (BLACK) **E10 (LIGHT GRAY)** **E21 (BLACK)** **E57 (BLACK)** **B21 (BLACK)**
E14 (BLACK)   
E75 (BLACK)     

1	2	3	4	5	6	7
8	9	10	11	12	13	14
15	16	17	18	19	20	21
22	23	24	25	26	27	28
29	30	31	32	33	34	35

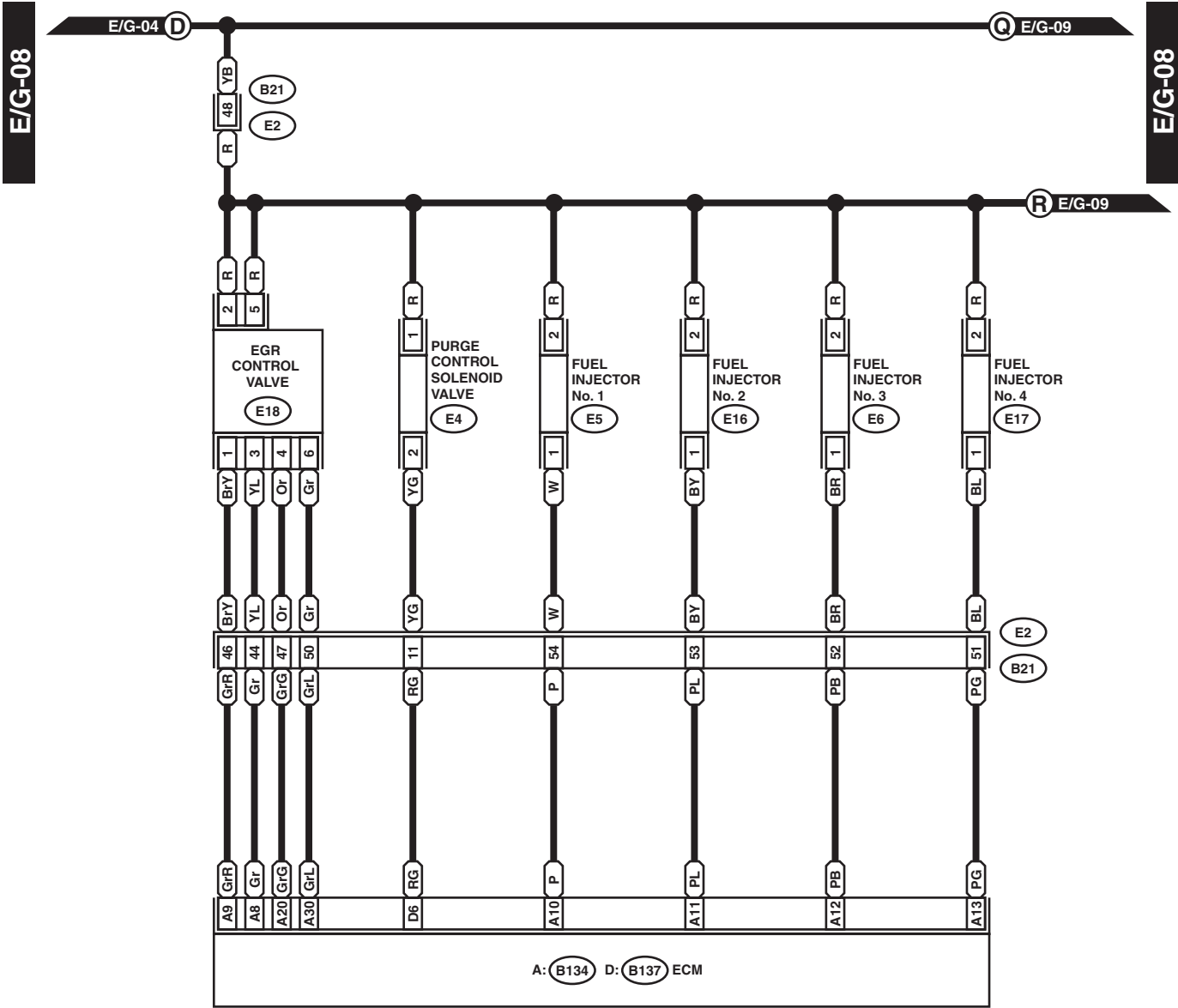
1	2	3	4	5	6	7
8	9	10	11	12	13	14
15	16	17	18	19	20	21
22	23	24	25	26	27	28
29	30	31	32	33	34	35

1	2	3	4	5	6	7	8	9	10	11
12	13	14	15	16	17	18	19	20	21	22
23	24	25	26	27	28	29	30	31	32	33
34	35	36	37	38	39	40	41	42	43	44
45	46	47	48	49	50	51	52	53	54	55

WI-37833

Engine Electrical System

WIRING SYSTEM



E4 (BLUE) (DARK GRAY) **E5 (DARK GRAY)** **E16 (DARK GRAY)** **D: (B137)** **B21 (BLACK)**
(DARK GRAY) E6 (DARK GRAY) **E17 (DARK GRAY)** **E18 (DARK GRAY)**

1	2	3	4	5	6	7
8	9	10	11	12	13	14
15	16	17	18	19	20	21
22	23	24	25	26	27	
28	29	30	31	32	33	34

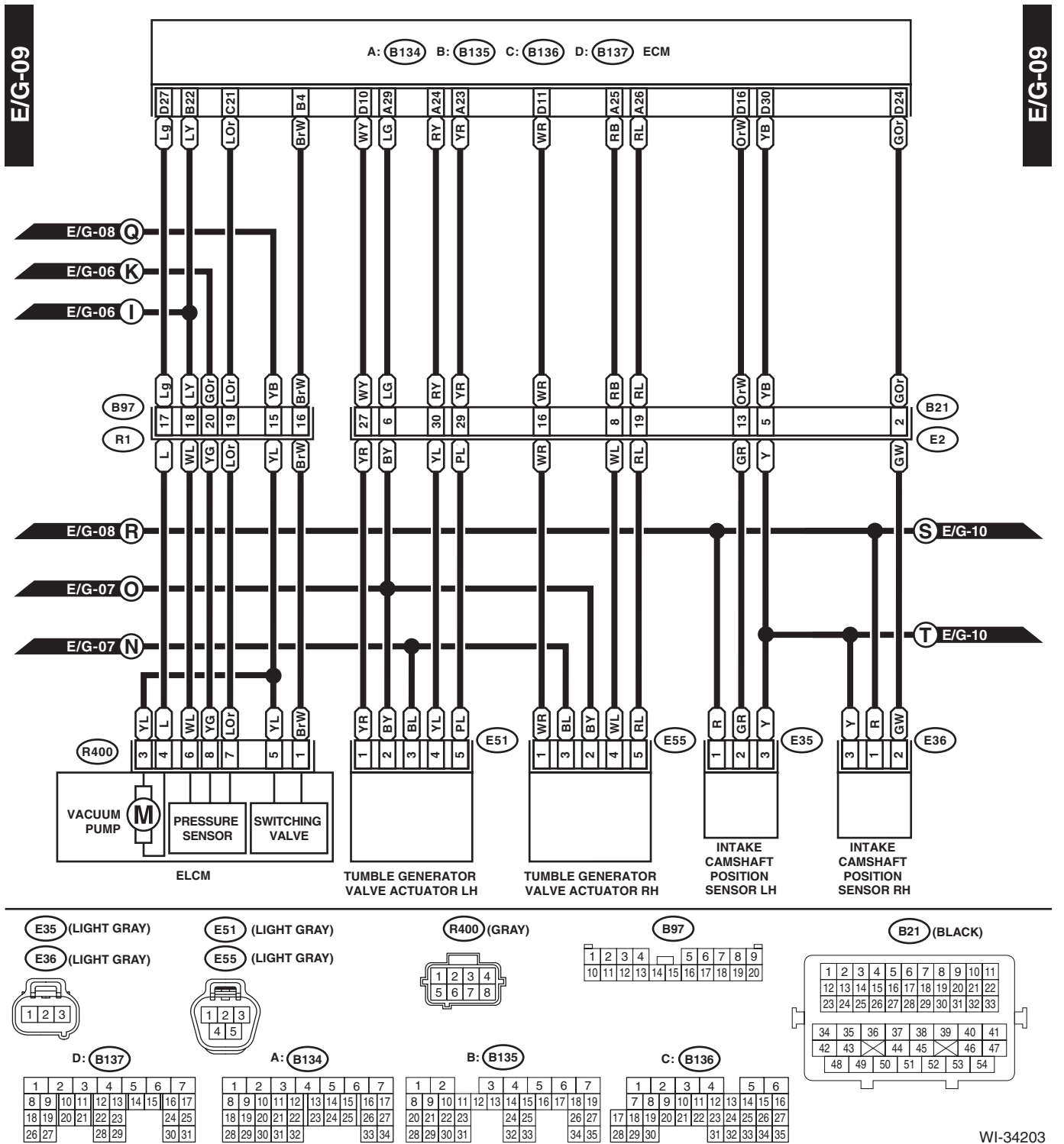
1	2	3	4	5	6	7
8	9	10	11	12	13	14
15	16	17	18	19	20	21
22	23	24	25	26	27	28
29	30	31	28	29	30	31

1	2	3	4	5	6	7	8	9	10	11
12	13	14	15	16	17	18	19	20	21	22
23	24	25	26	27	28	29	30	31	32	33
34	35	36	37	38	39	40	41			
42	43	44	45	46	47					
48	49	50	51	52	53	54				

WI-34202

Engine Electrical System

WIRING SYSTEM



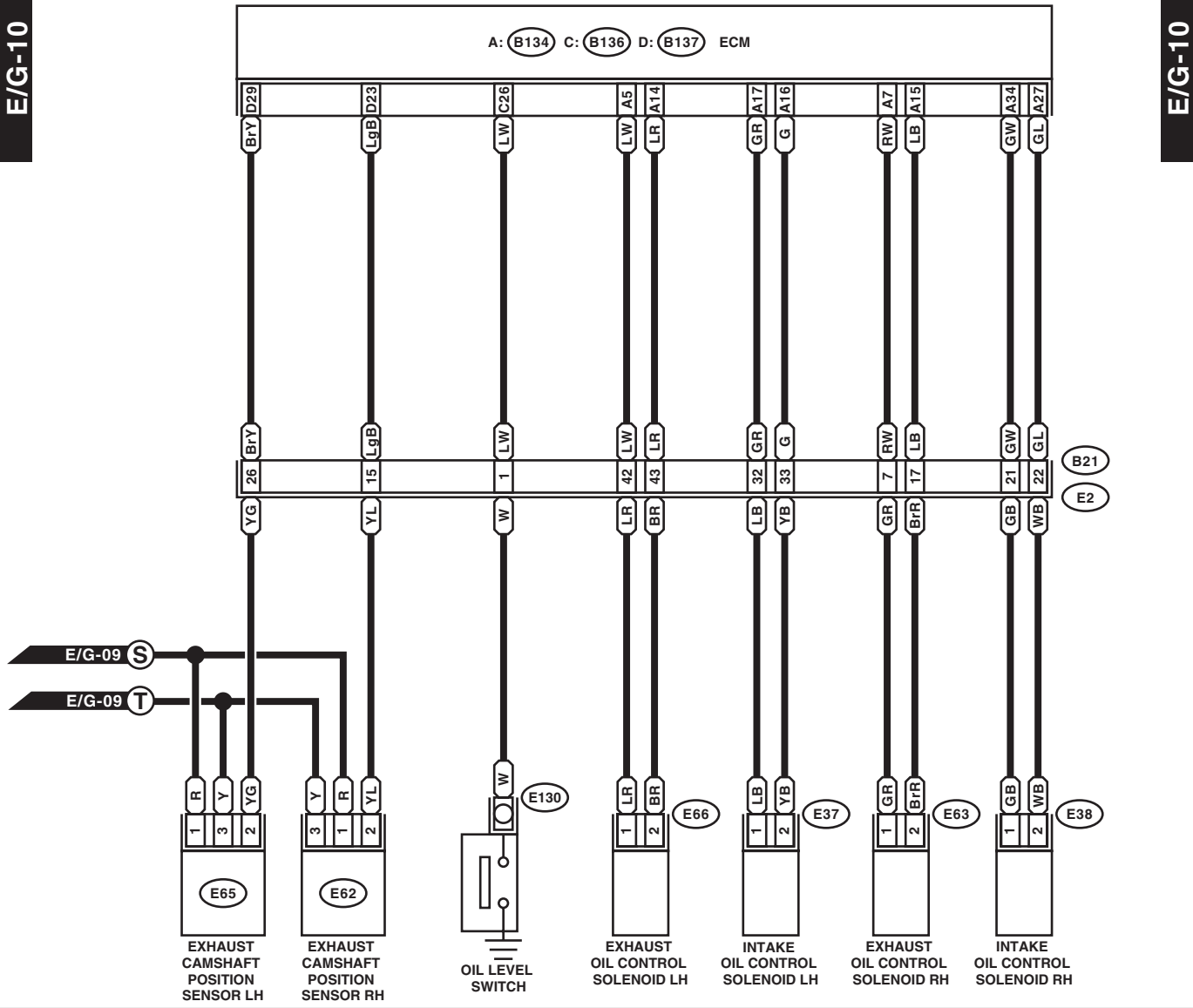
WI-34203

Engine Electrical System

WIRING SYSTEM

E/G-10

E/G-10



(BLACK) E37 E63 (BLACK)
(BLACK) E38 E66 (BLACK)



E62 (LIGHT GRAY)
E65 (LIGHT GRAY)



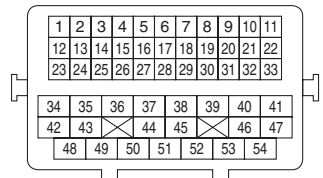
D: B137

1	2	3	4	5	6	7
8	9	10	11	12	13	14
15	16	17	18	19	20	21
22	23	24	25	26	27	28
29	30	31	32	33	34	35

A: B134

1	2	3	4	5	6	7
8	9	10	11	12	13	14
15	16	17	18	19	20	21
22	23	24	25	26	27	28
29	30	31	32	33	34	35

B21 (BLACK)



C: B136

1	2	3	4	5	6
7	8	9	10	11	12
13	14	15	16	17	18
19	20	21	22	23	24
25	26	27	28	29	30
31	32	33	34	35	

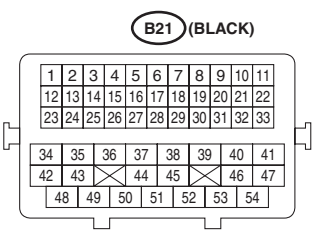
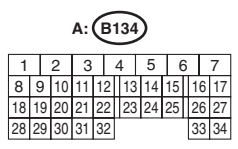
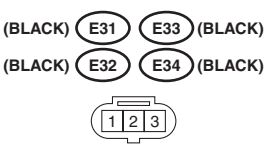
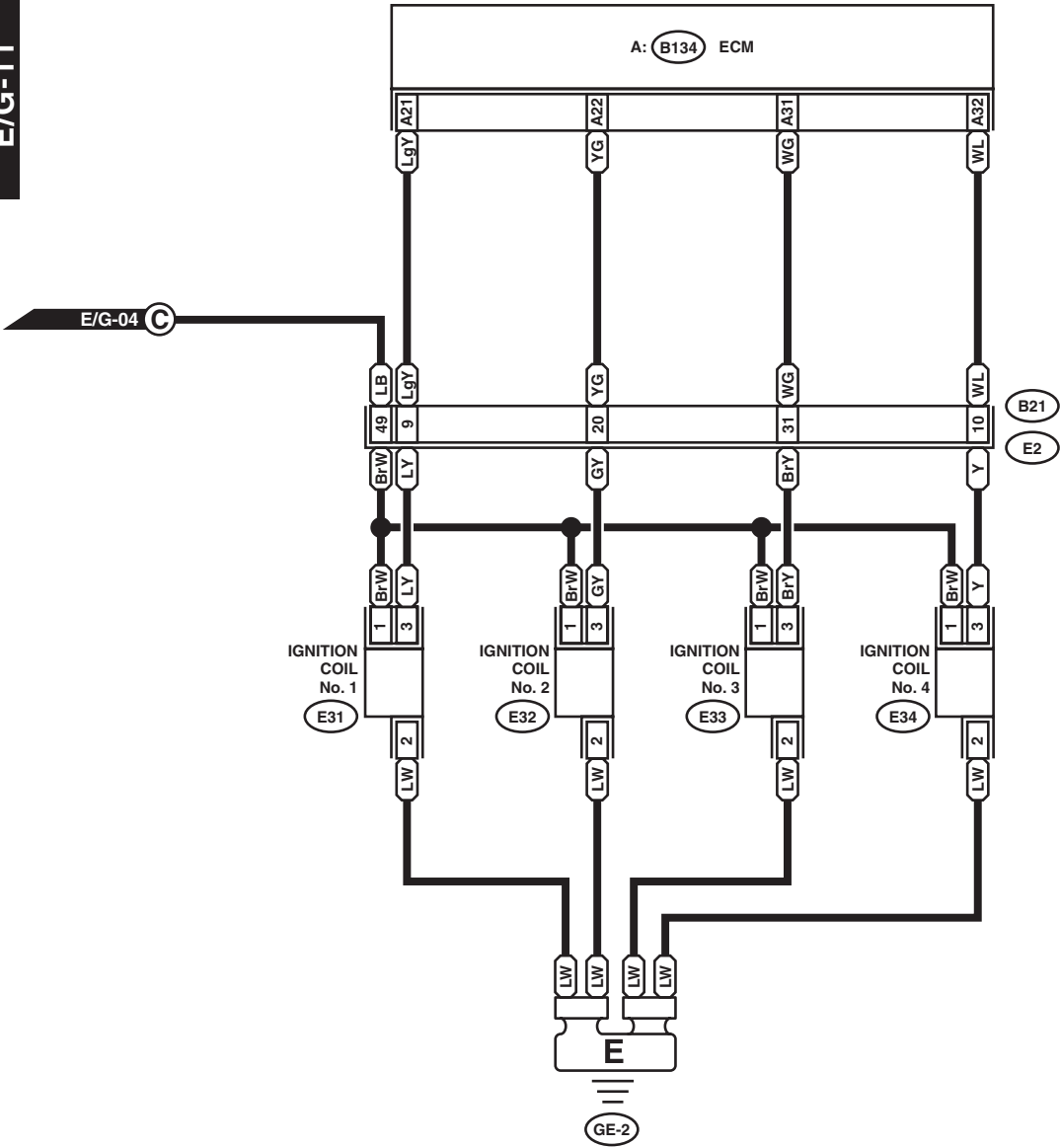
WI-34204

Engine Electrical System

WIRING SYSTEM

E/G-11

E/G-11



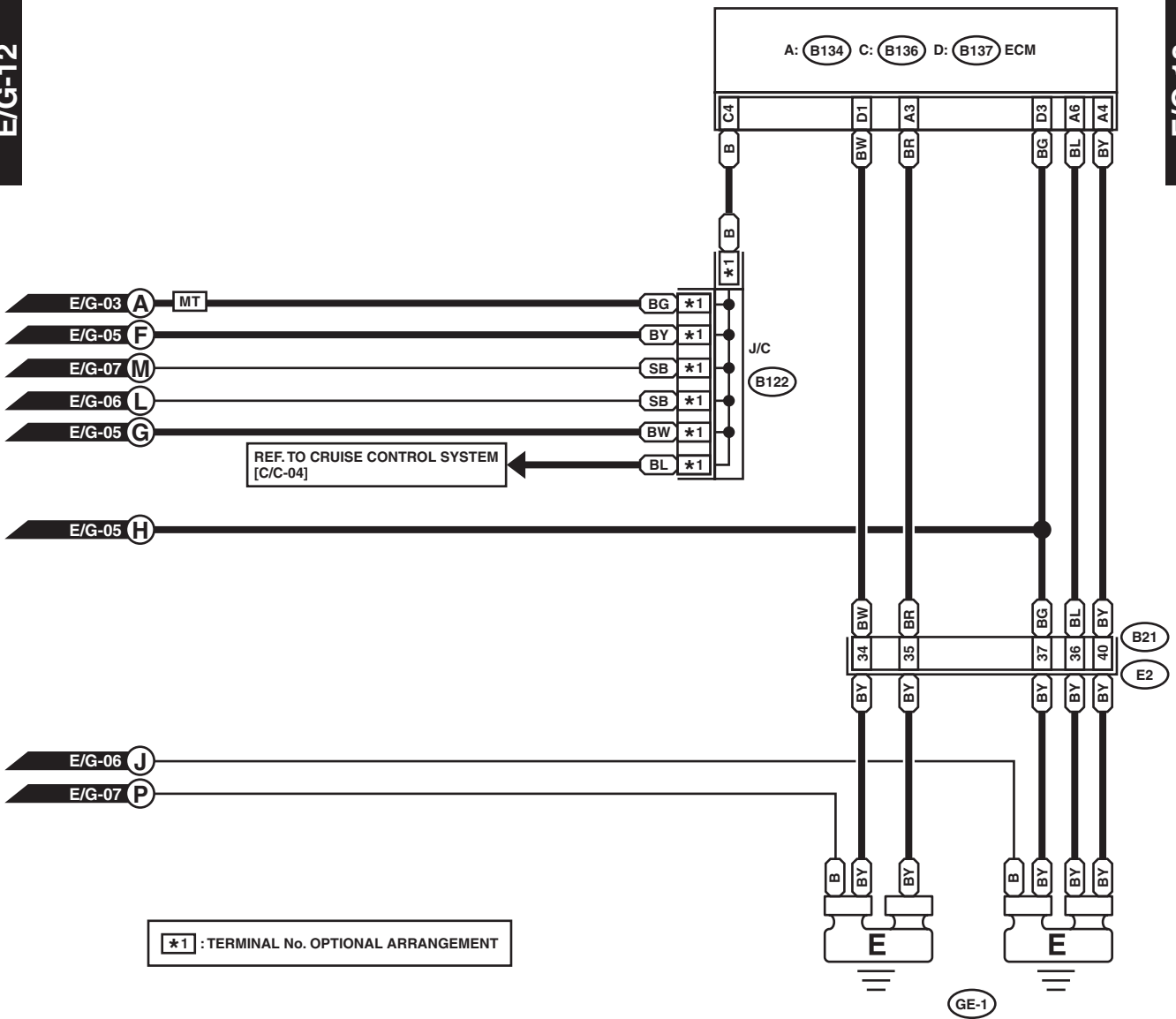
WI-37834

Engine Electrical System

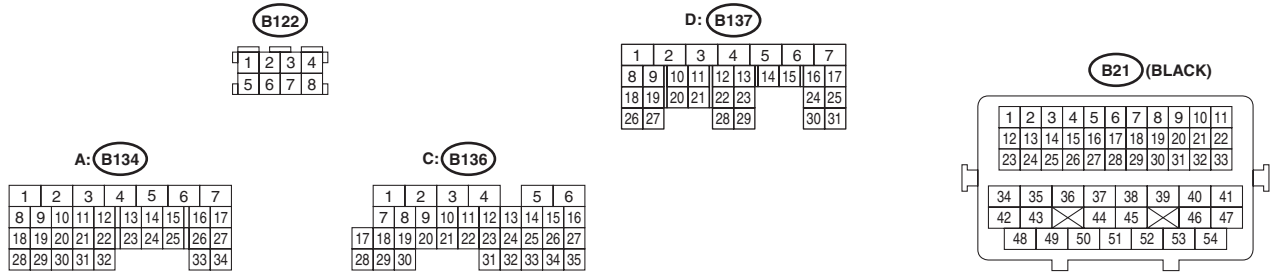
WIRING SYSTEM

E/G-12

E/G-12



*1 : TERMINAL No. OPTIONAL ARRANGEMENT



WI-34206