

# Fuel Gauge System

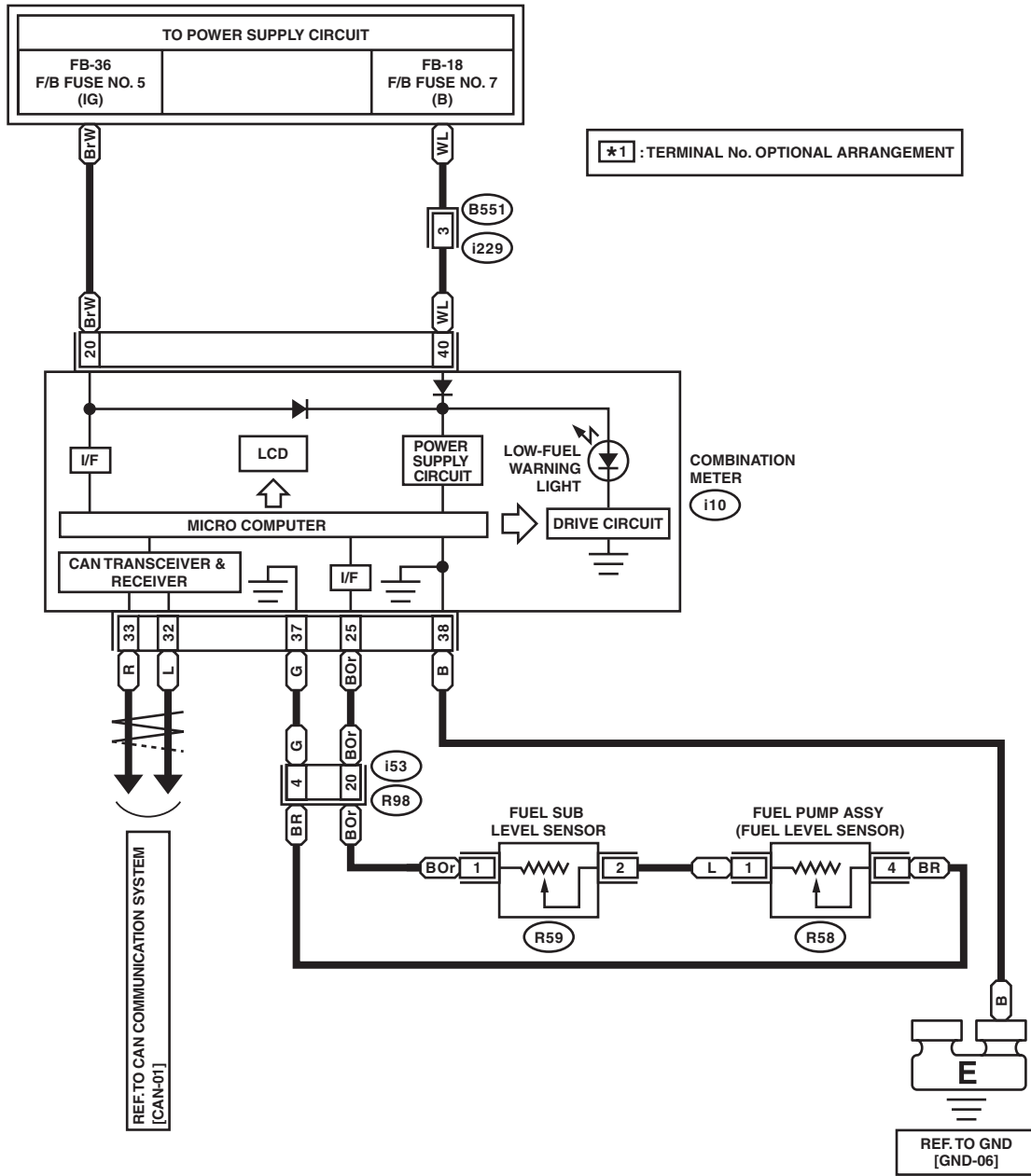
WIRING SYSTEM

## 21. Fuel Gauge System

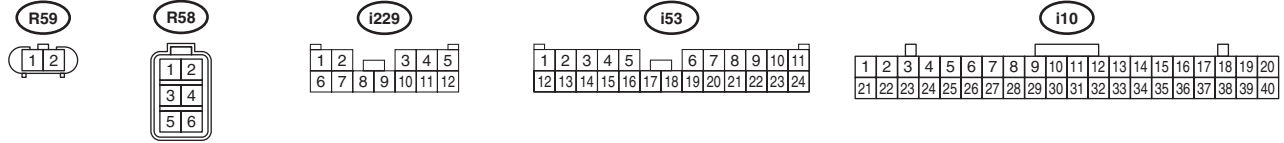
### A: WIRING DIAGRAM

F/G-01

F/G-01



\*1 : TERMINAL No. OPTIONAL ARRANGEMENT



WI-34211