

PCV Valve

EMISSION CONTROL (AUX. EMISSION CONTROL DEVICES)

14.PCV Valve

A: REMOVAL

CAUTION:

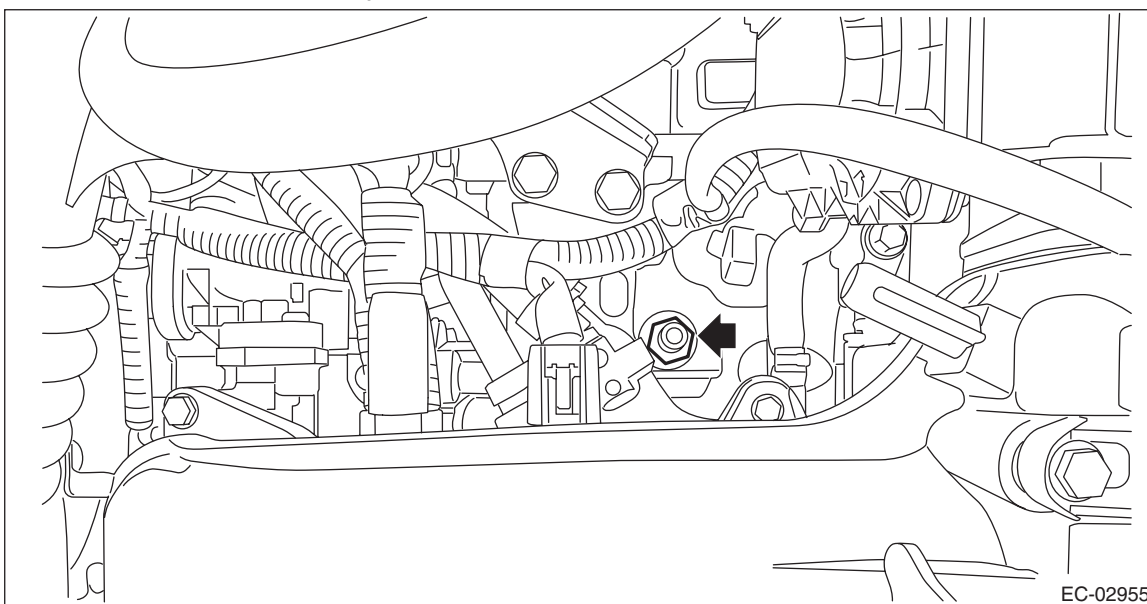
Do not remove unless the PCV valve is broken.

1) Disconnect the PCV hose from the intake manifold and the PCV valve, and then remove the PCV hose.



EC-02954

2) Remove the PCV valve from the cylinder block RH.



EC-02955

B: INSTALLATION

Install in the reverse order of removal.

NOTE:

Apply liquid gasket to the bolt threads of PCV valve.

Liquid gasket:

THREE BOND 1324 (Part No. 004403042) or equivalent

Tightening torque:

23 N·m (2.3 kgf·m, 17.0 ft·lb)

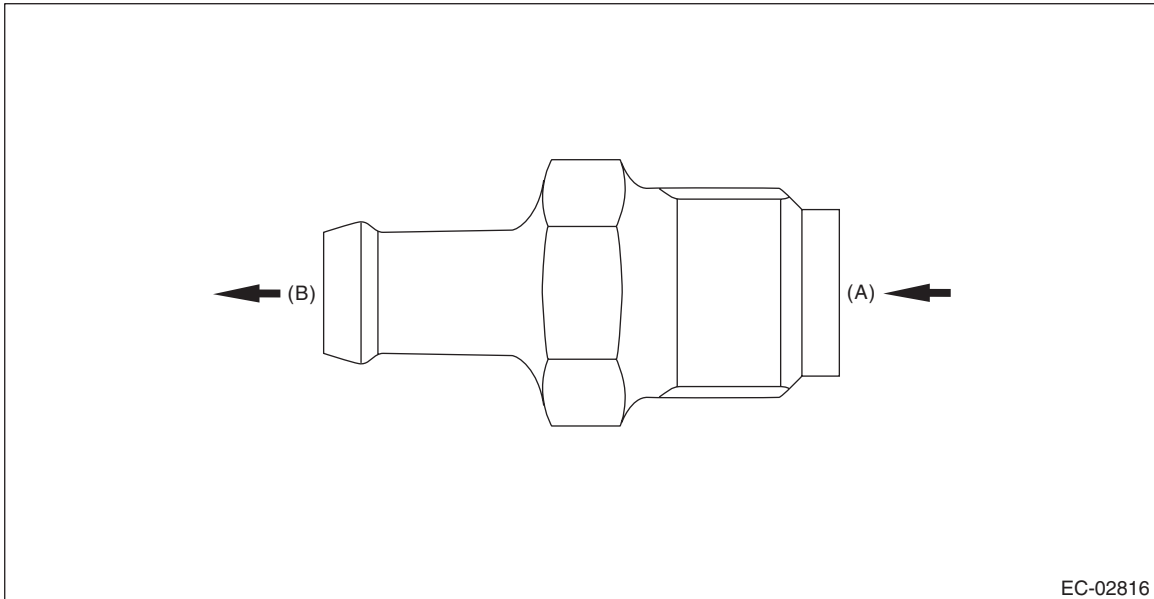
PCV Valve

EMISSION CONTROL (AUX. EMISSION CONTROL DEVICES)

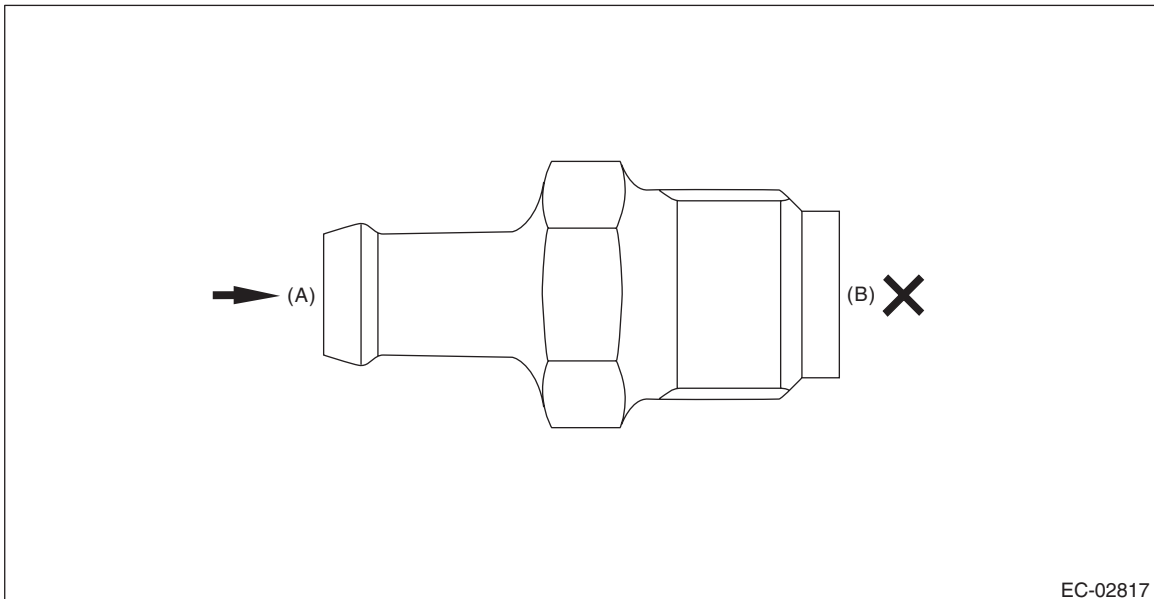
C: INSPECTION

1. PCV VALVE

- 1) Check that the PCV valve has no deformation, cracks or other damages.
- 2) Check that air is discharged from (B) when air is blown into (A).



- 3) Check that air does not come out from (B) when air is blown into (A).



2. OTHER INSPECTIONS

Check that the PCV hose has no cracks, damage or loose part.

INTAKE (INDUCTION)

IN(H4DO)

	Page
1. General Description	2
2. Air Cleaner Element	4
3. Air Cleaner Case	7
4. Air Intake Boot	12
5. Air Intake Duct	13