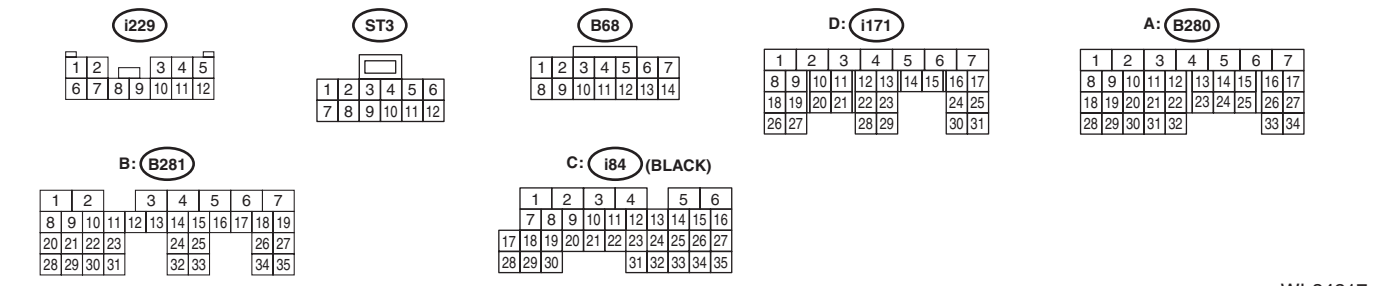
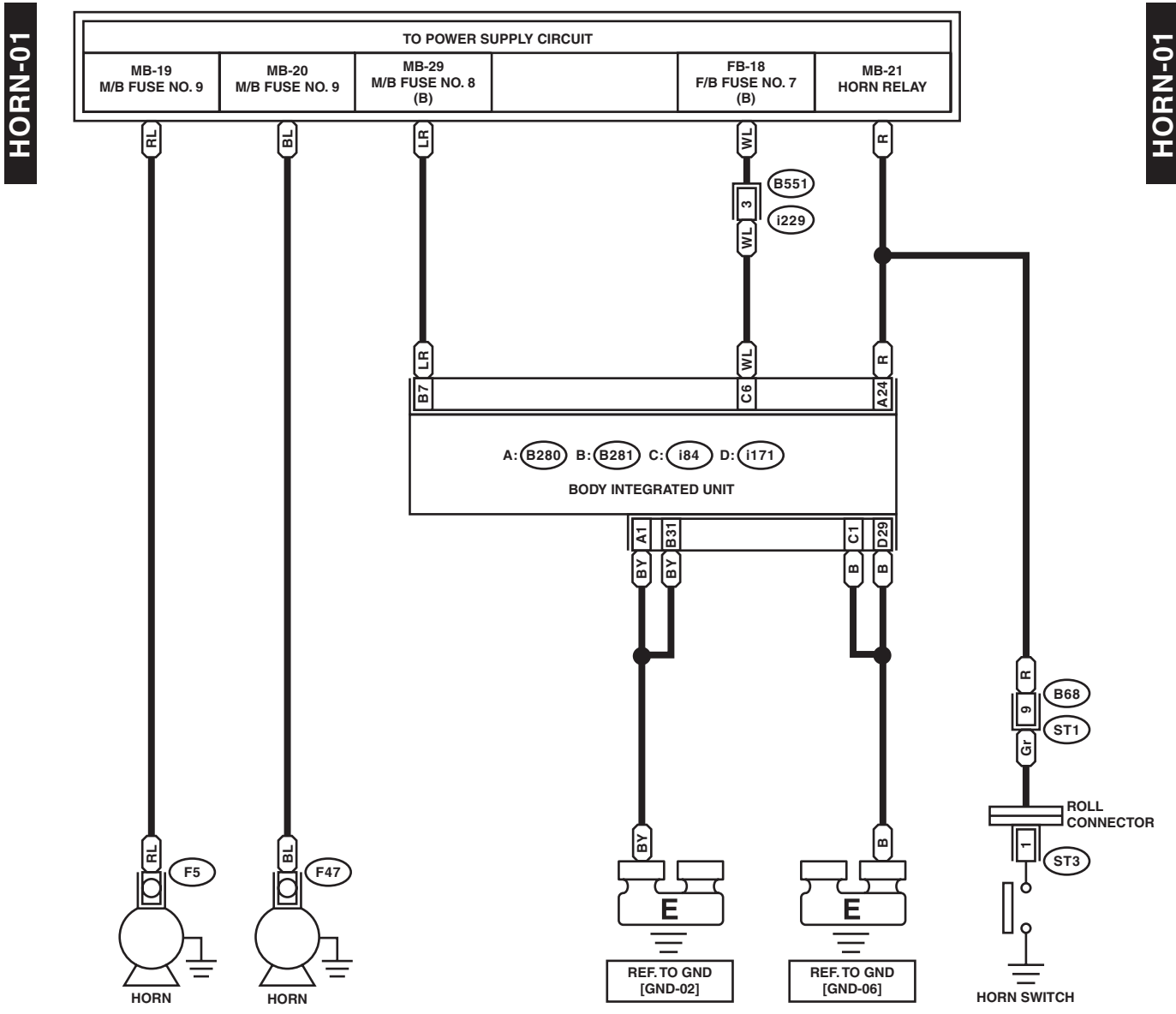


24.Horn System

A: WIRING DIAGRAM



WI-34217