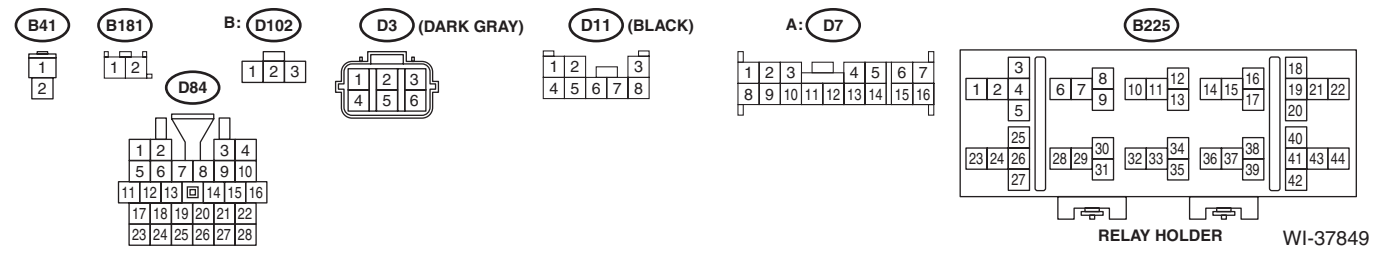
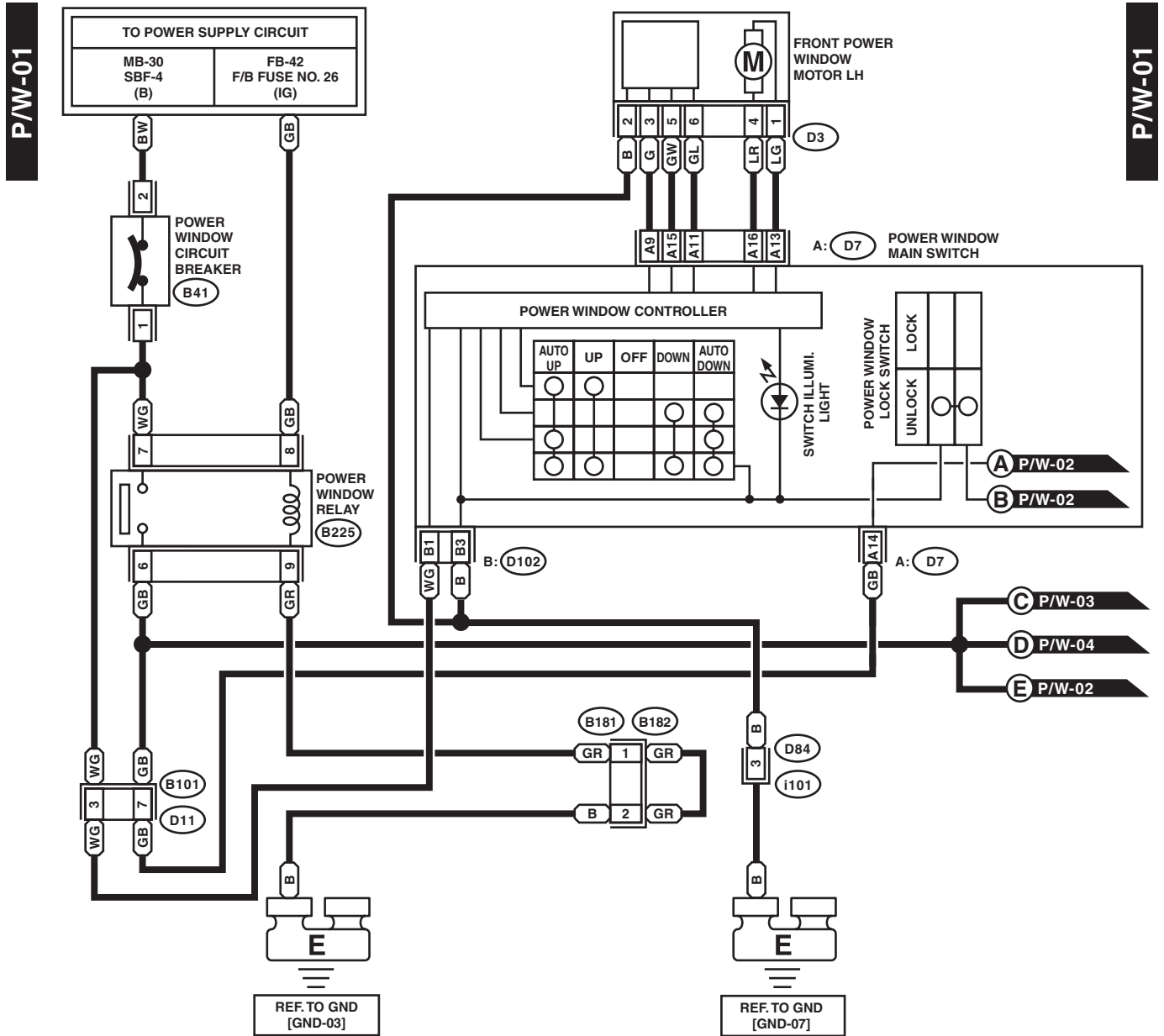


# Power Window System

WIRING SYSTEM

## 33. Power Window System

### A: WIRING DIAGRAM

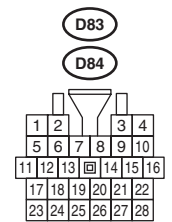
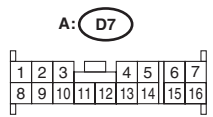
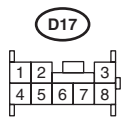
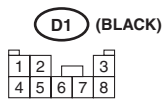
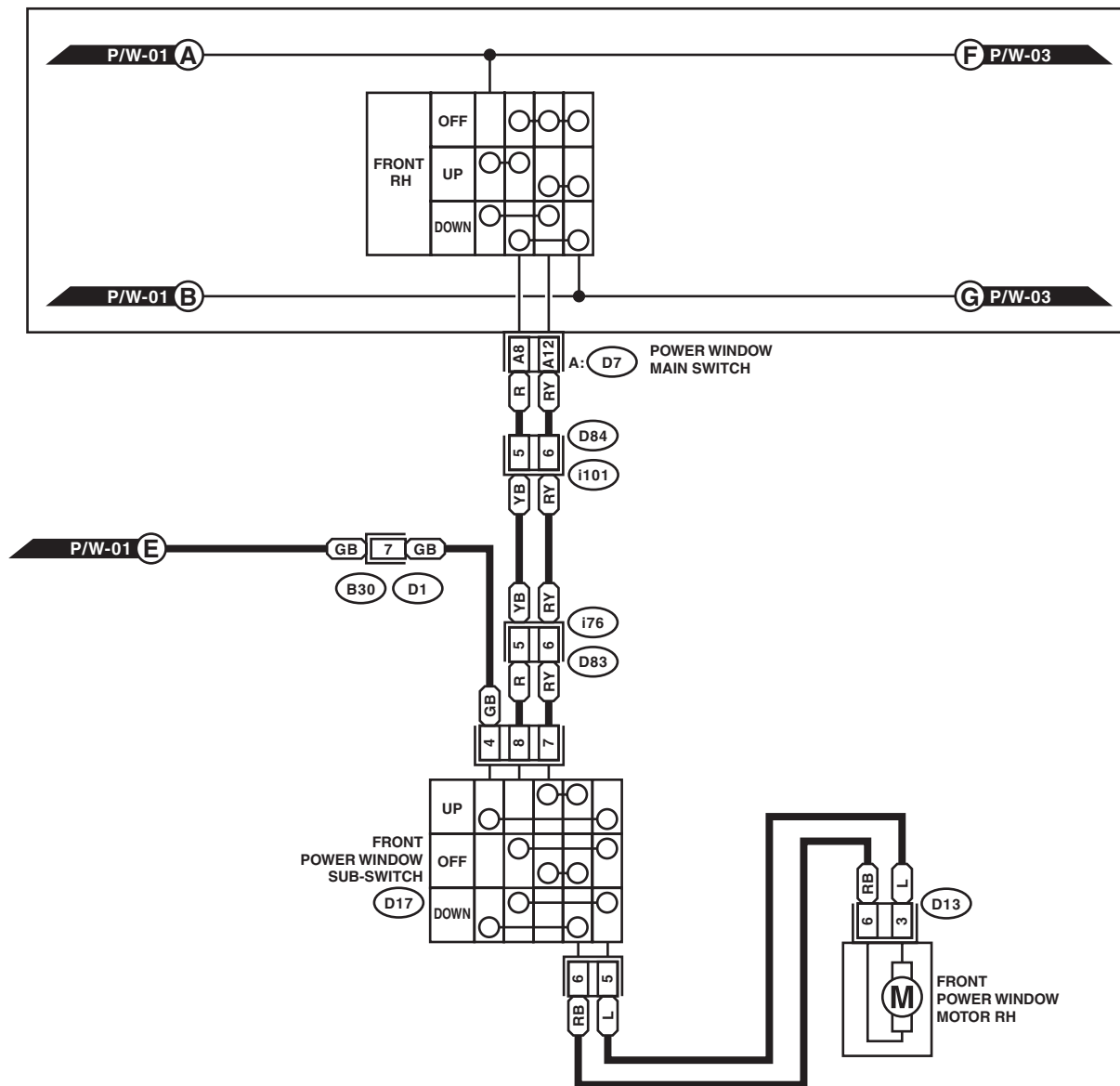


# Power Window System

WIRING SYSTEM

P/W-02

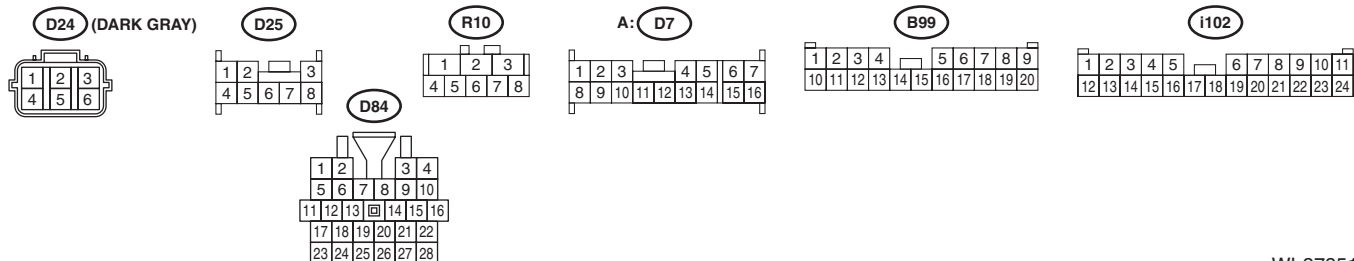
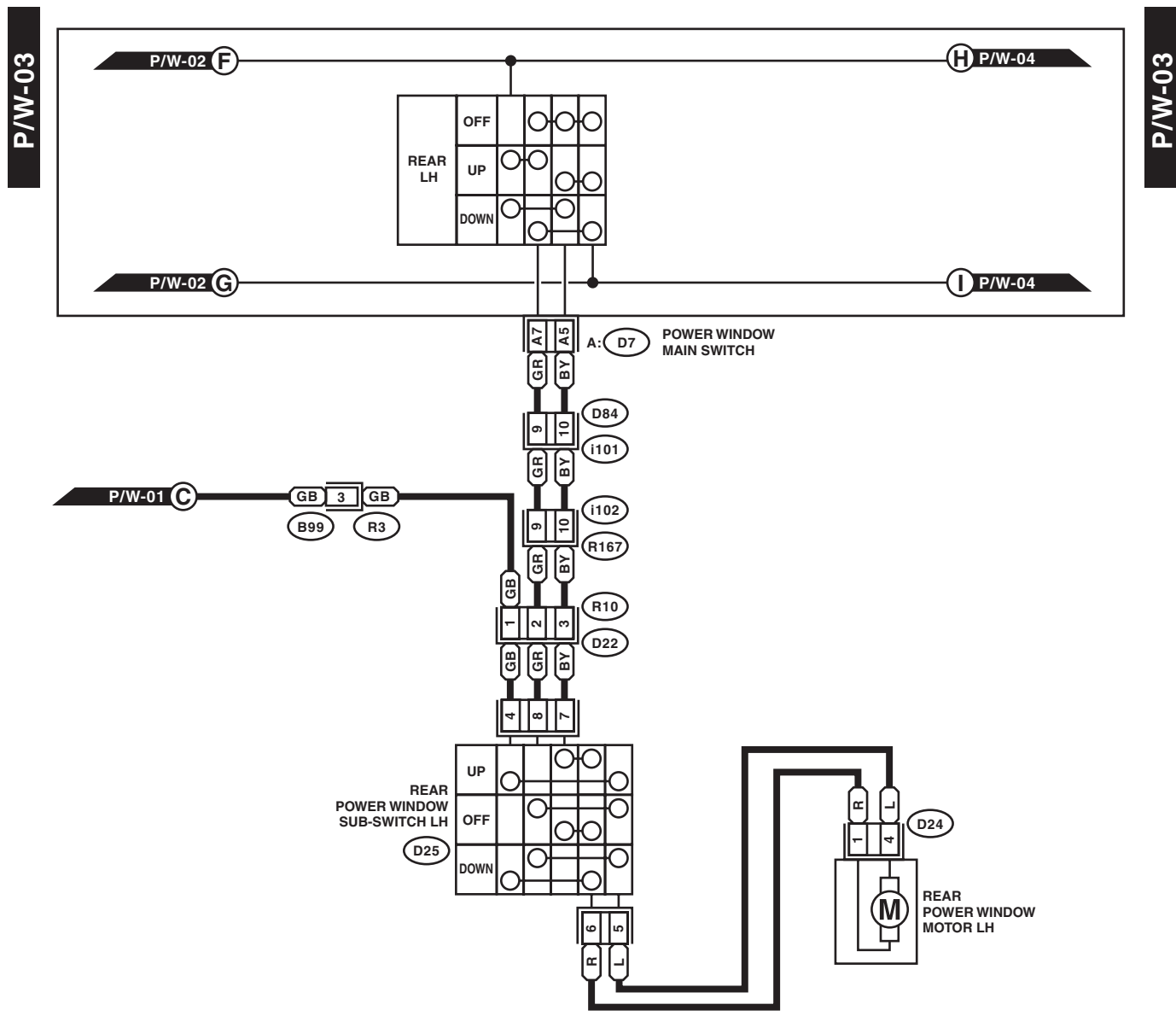
P/W-02



WI-37850

# Power Window System

## WIRING SYSTEM



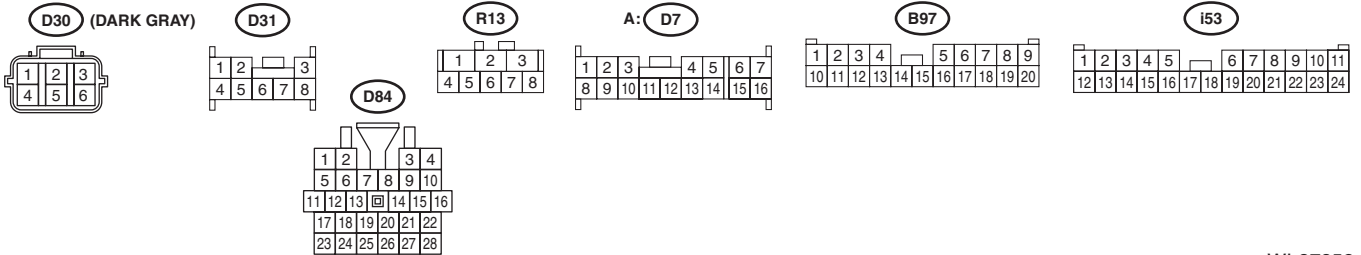
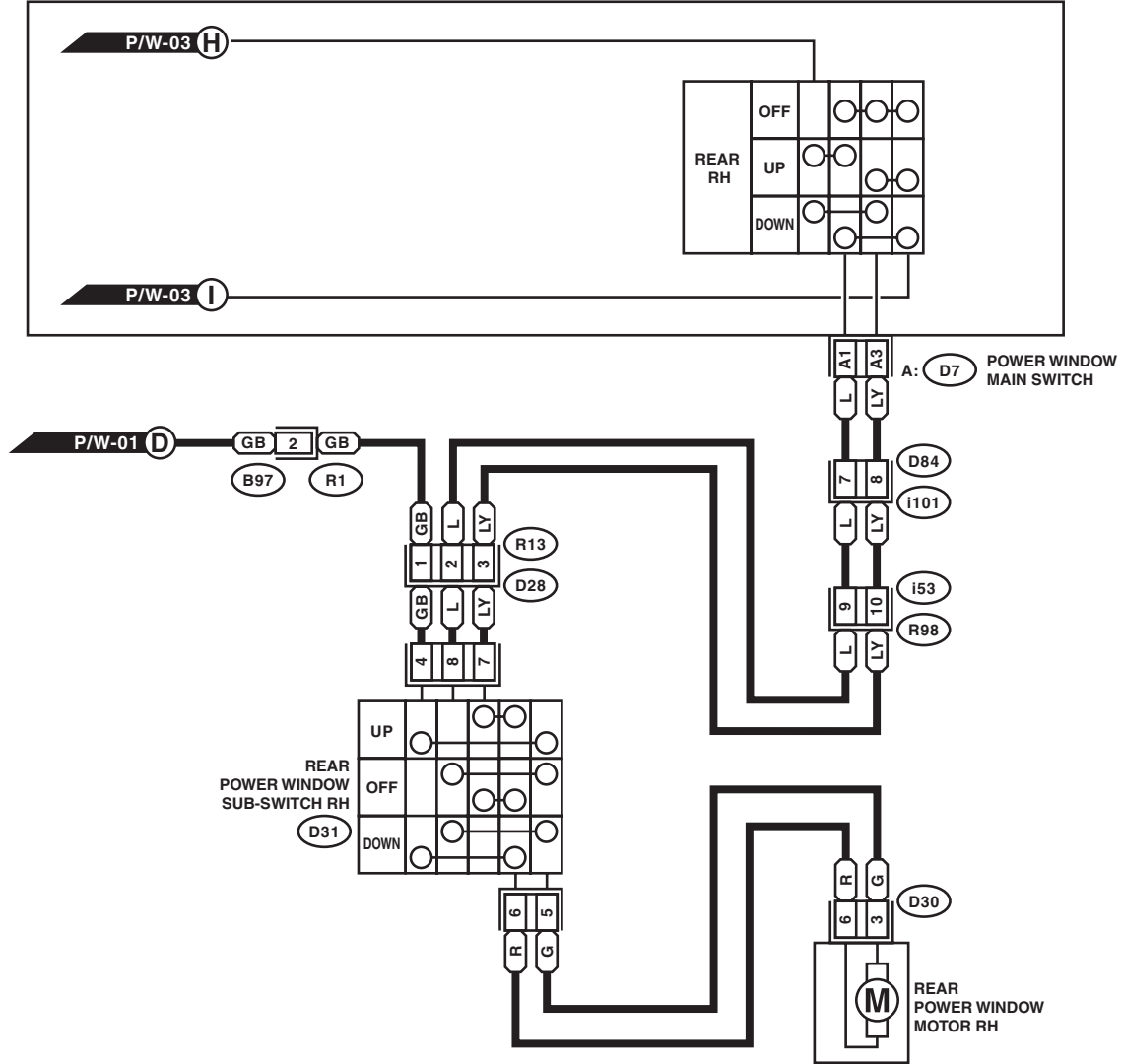
WI-37851

# Power Window System

WIRING SYSTEM

P/W-04

P/W-04



WI-37852