

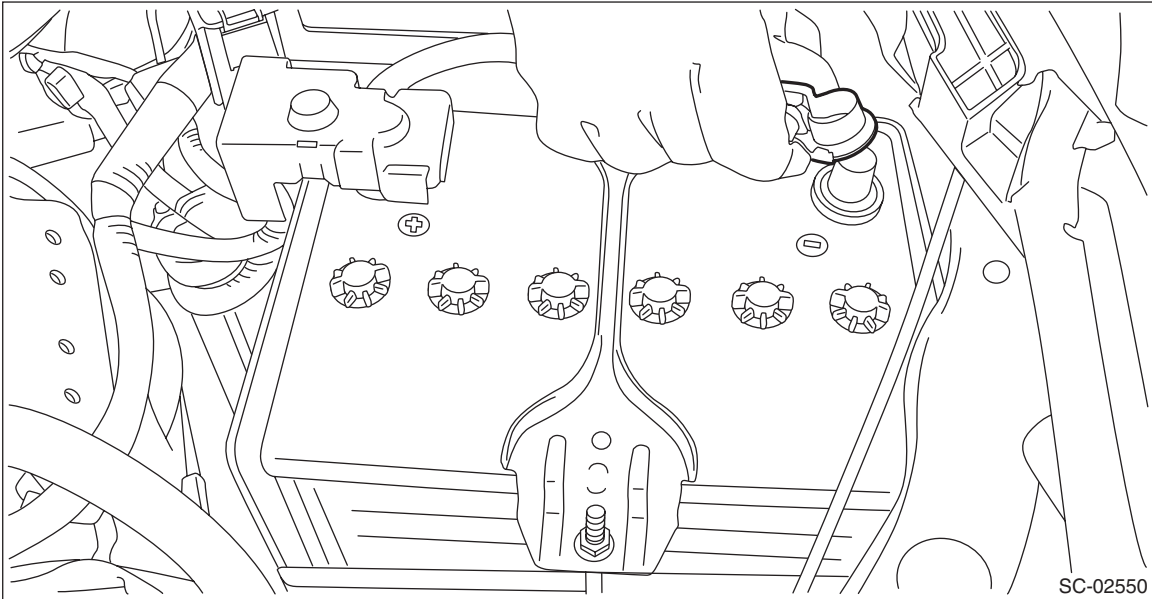
Air Cleaner Element

INTAKE (INDUCTION)

2. Air Cleaner Element

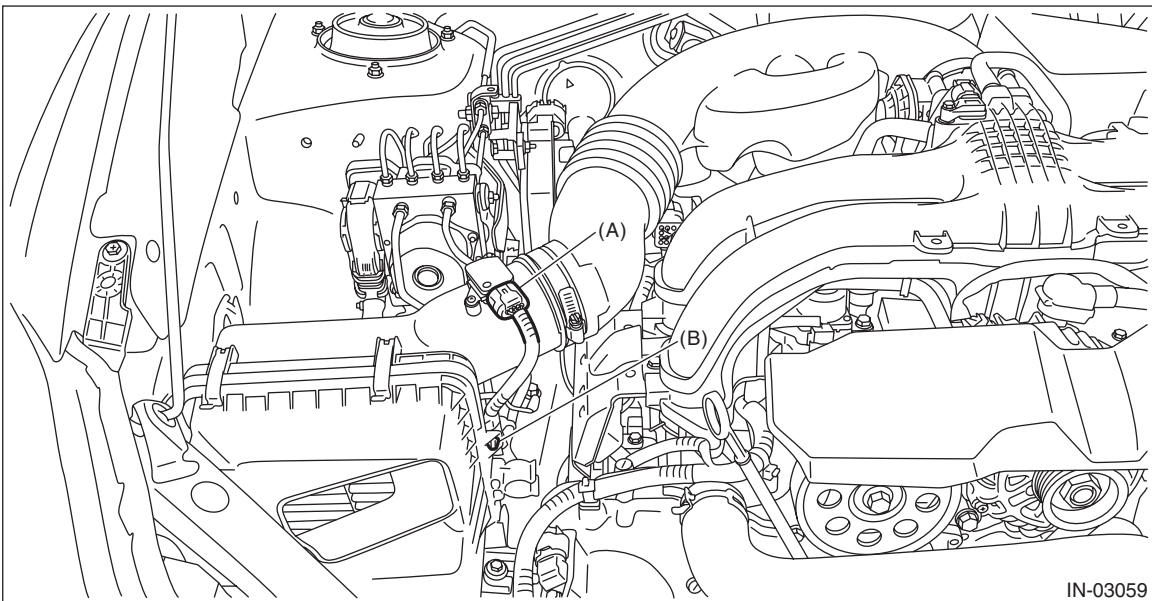
A: REMOVAL

1) Disconnect the ground cable from battery.



2) Remove the air intake duct. <Ref. to IN(H4DO)-13, REMOVAL, Air Intake Duct.>

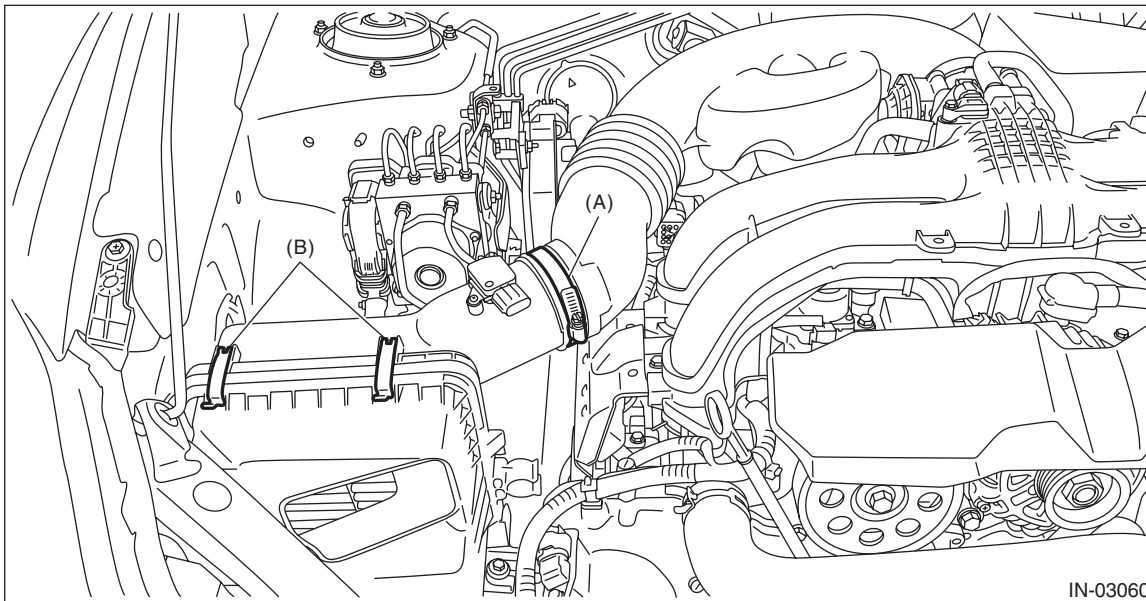
3) Disconnect the connector (A) from the mass air flow and intake air temperature sensor, and remove the clip (B).



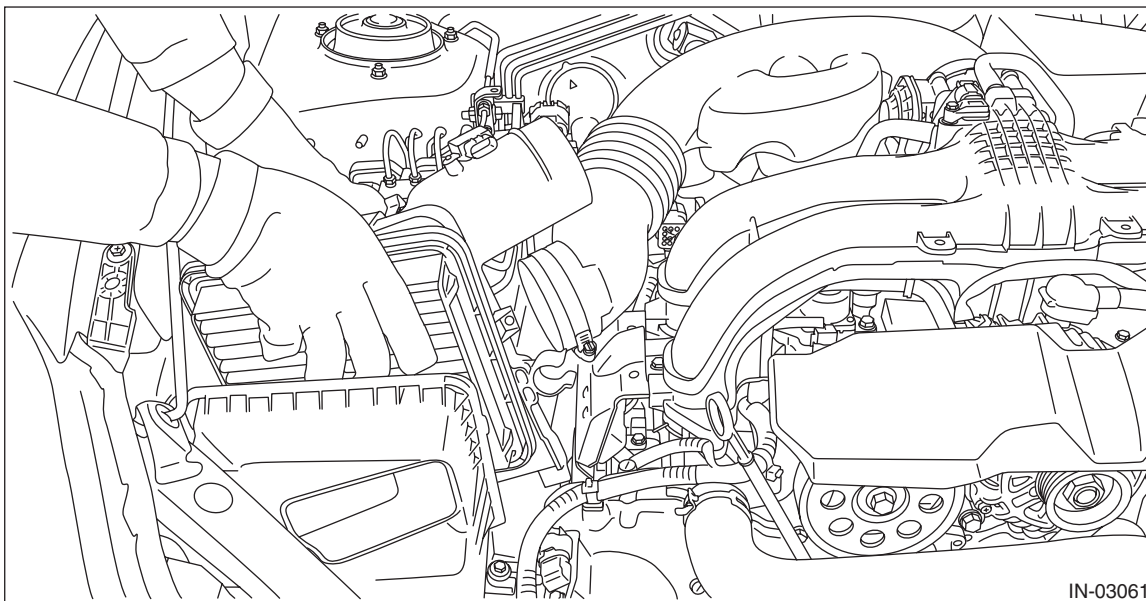
Air Cleaner Element

INTAKE (INDUCTION)

- 4) Loosen the clamp (A) which connects the air cleaner case (rear) and air intake boot, and then remove the clip (B) from the air cleaner case (front).



- 5) Remove the air cleaner case (rear) and air cleaner element.



Air Cleaner Element

INTAKE (INDUCTION)

B: INSTALLATION

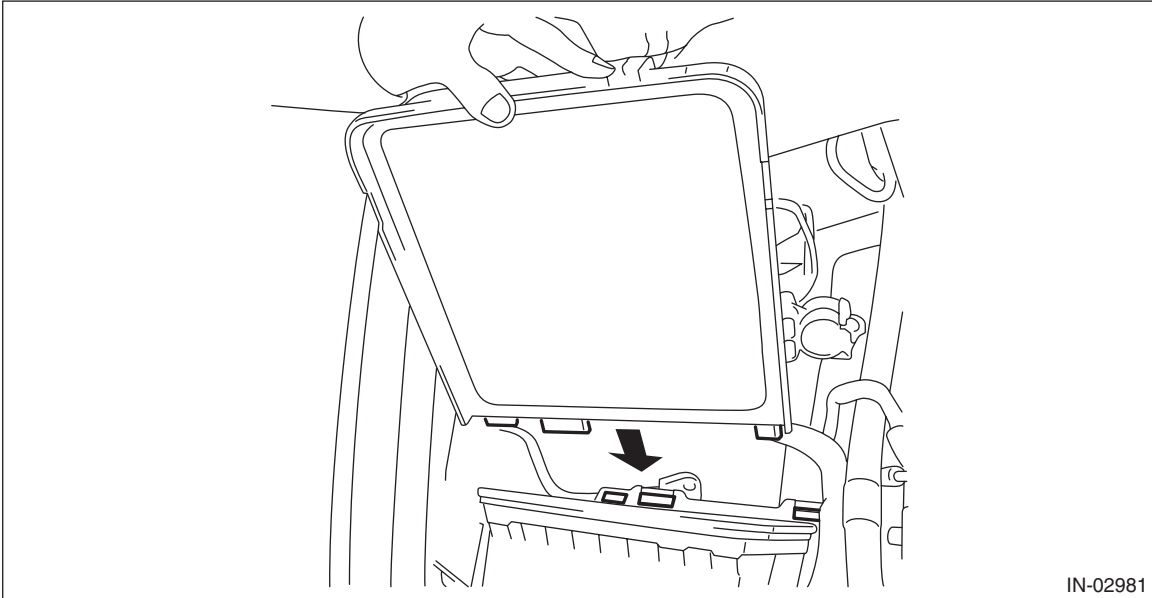
Install in the reverse order of removal.

CAUTION:

Be sure to use SUBARU genuine air cleaner element depending on the engine type when replacing the air cleaner elements. Using other air cleaner element may affect the engine performance.

NOTE:

- Check that there are no foreign objects in the air cleaner case.
- When installing the air cleaner case (rear), align the protrusion of the air cleaner case (rear) to the hole on the air cleaner case (front) to install.



IN-02981

Tightening torque:

3 N·m (0.3 kgf·m, 2.2 ft·lb)

C: INSPECTION

- 1) Check that the air cleaner element has no deformation, cracks or other damages.
- 2) Check the air cleaner element for excessive dirt.
- 3) Replace the air cleaner case (rear) if the HC absorption filter is damaged.