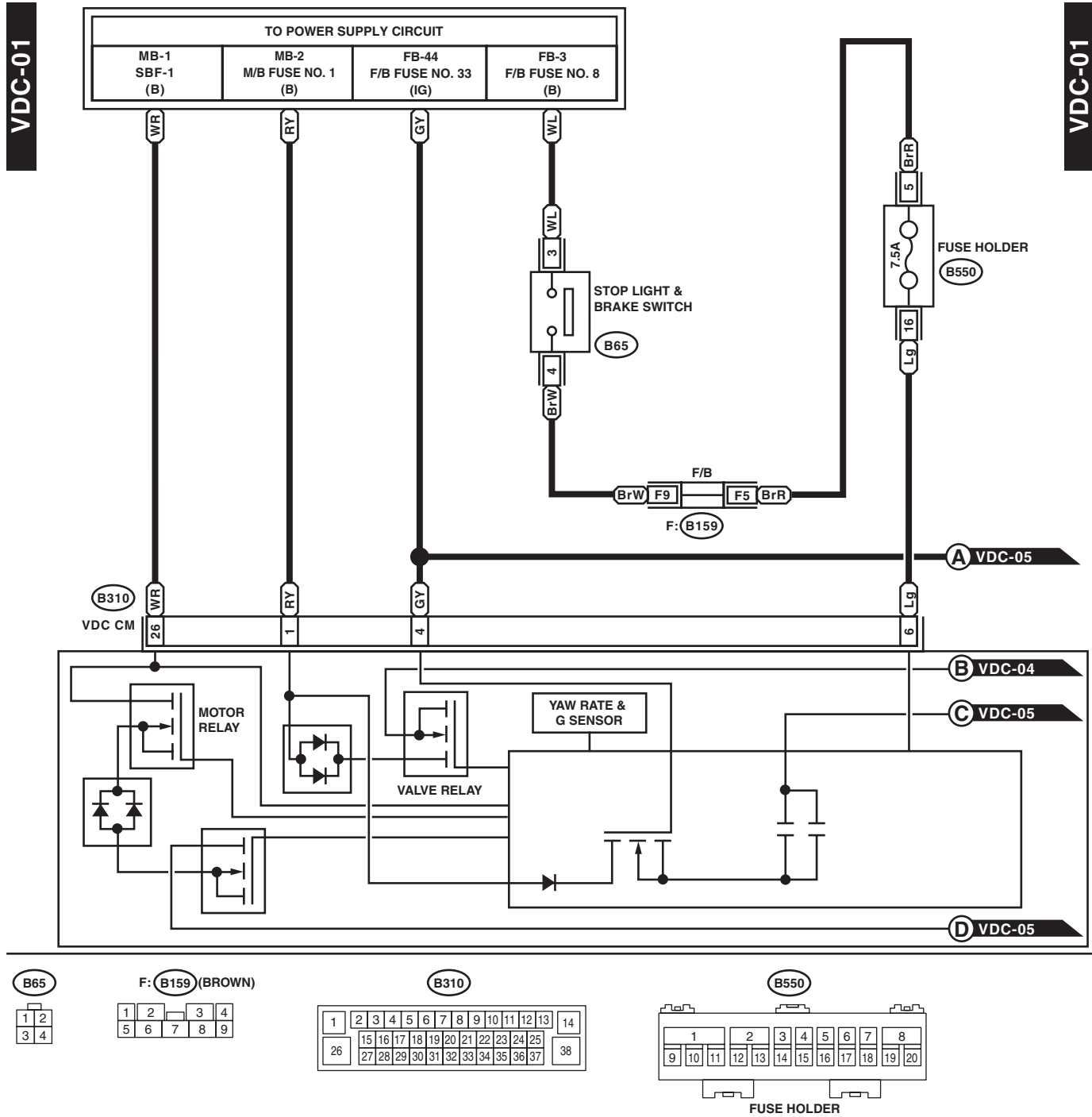


Vehicle Dynamics Control System

WIRING SYSTEM

52. Vehicle Dynamics Control System

A: WIRING DIAGRAM



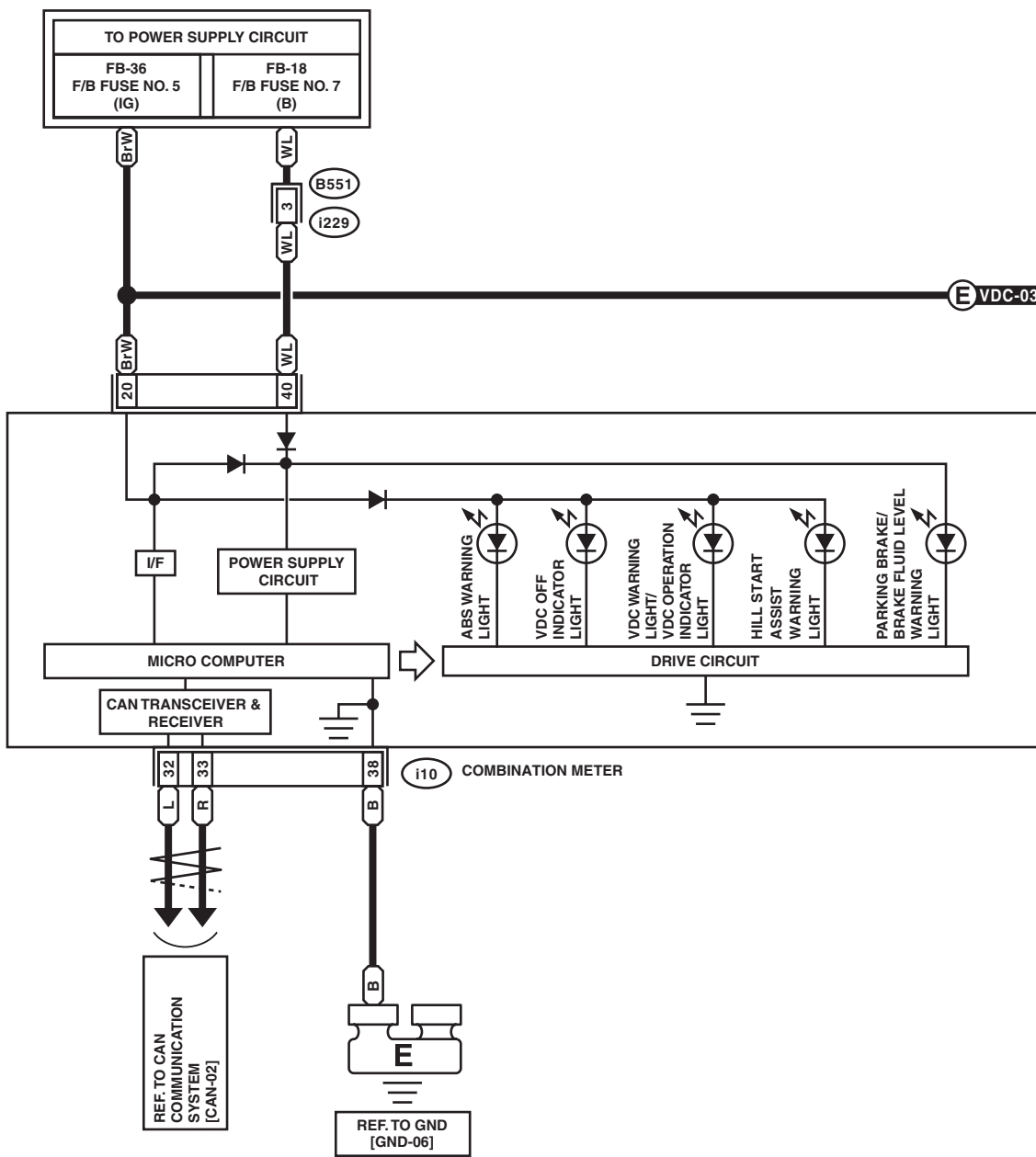
WI-34261

Vehicle Dynamics Control System

WIRING SYSTEM

VDC-02

VDC-02



E VDC-03

i229

1	2	3	4	5
6	7	8	9	10
11	12			

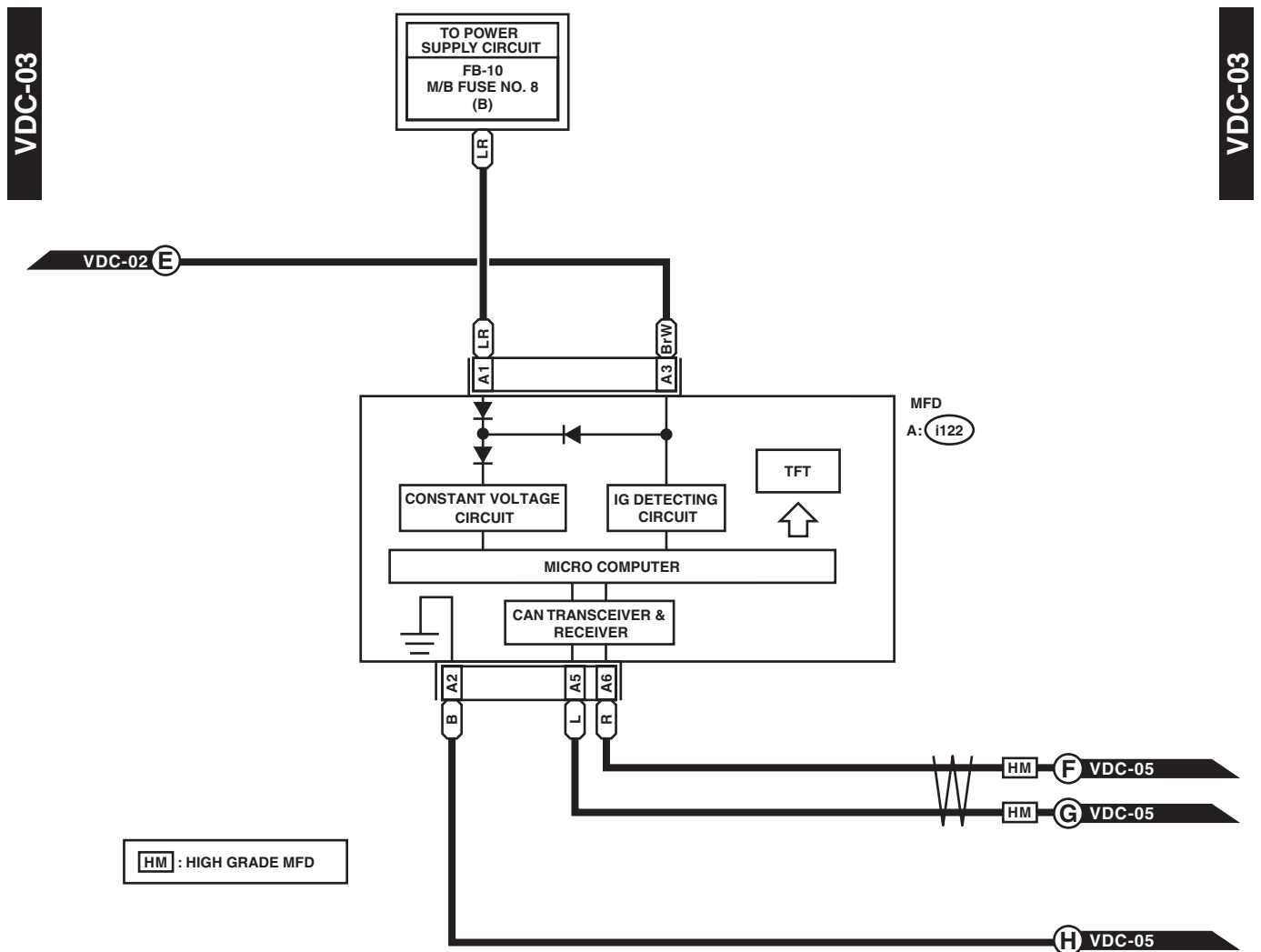
i10

1	2	3	4	5	6	7	8	9	10	11	12	13	14	15	16	17	18	19	20
21	22	23	24	25	26	27	28	29	30	31	32	33	34	35	36	37	38	39	40

WI-37866

Vehicle Dynamics Control System

WIRING SYSTEM



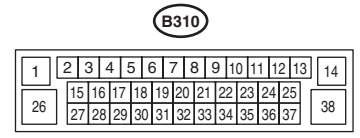
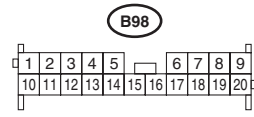
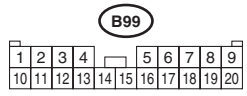
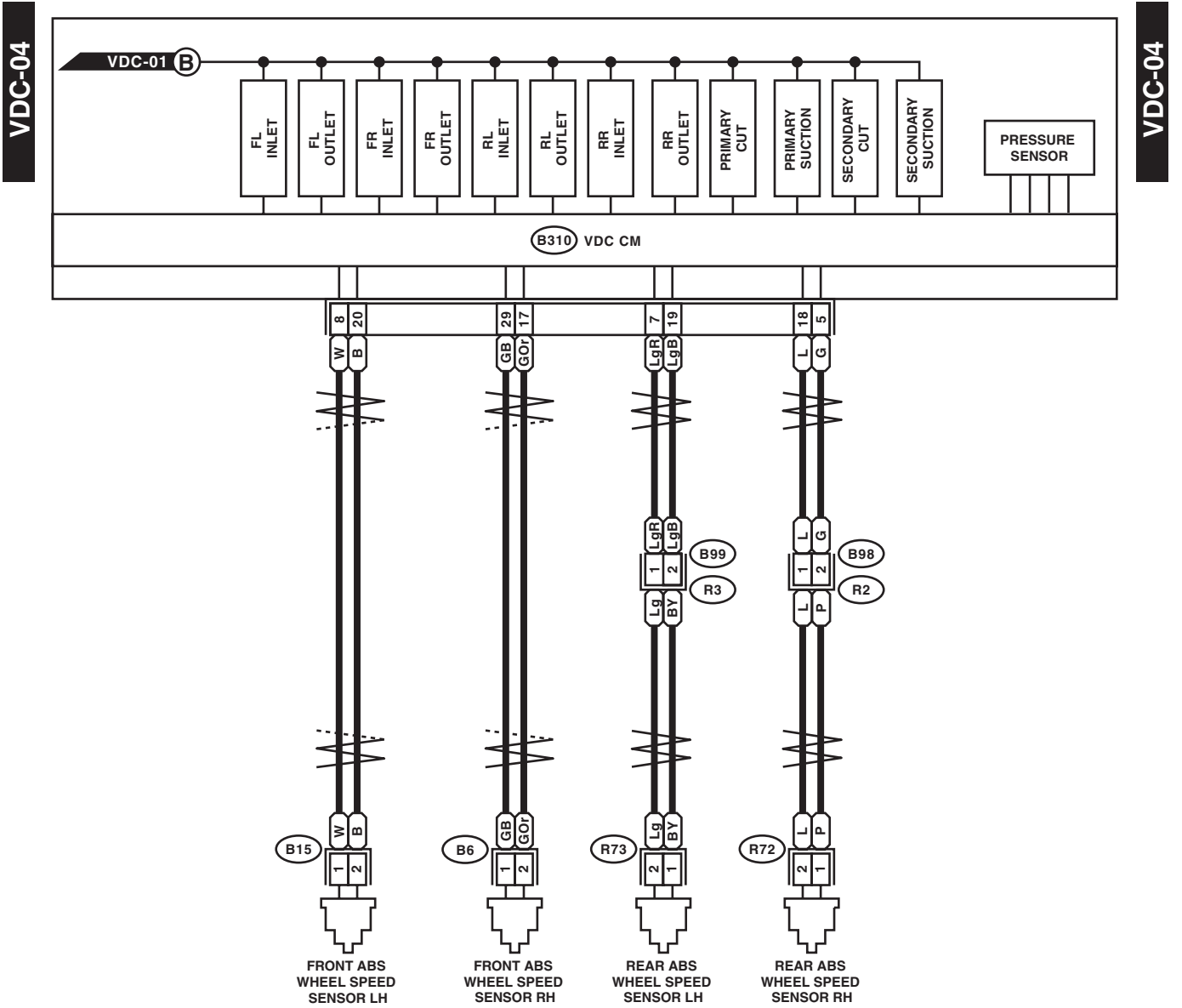
A: (i122) (BLACK)

1	2	3	4	5	6
7	8	9	10	11	12

WI-37867

Vehicle Dynamics Control System

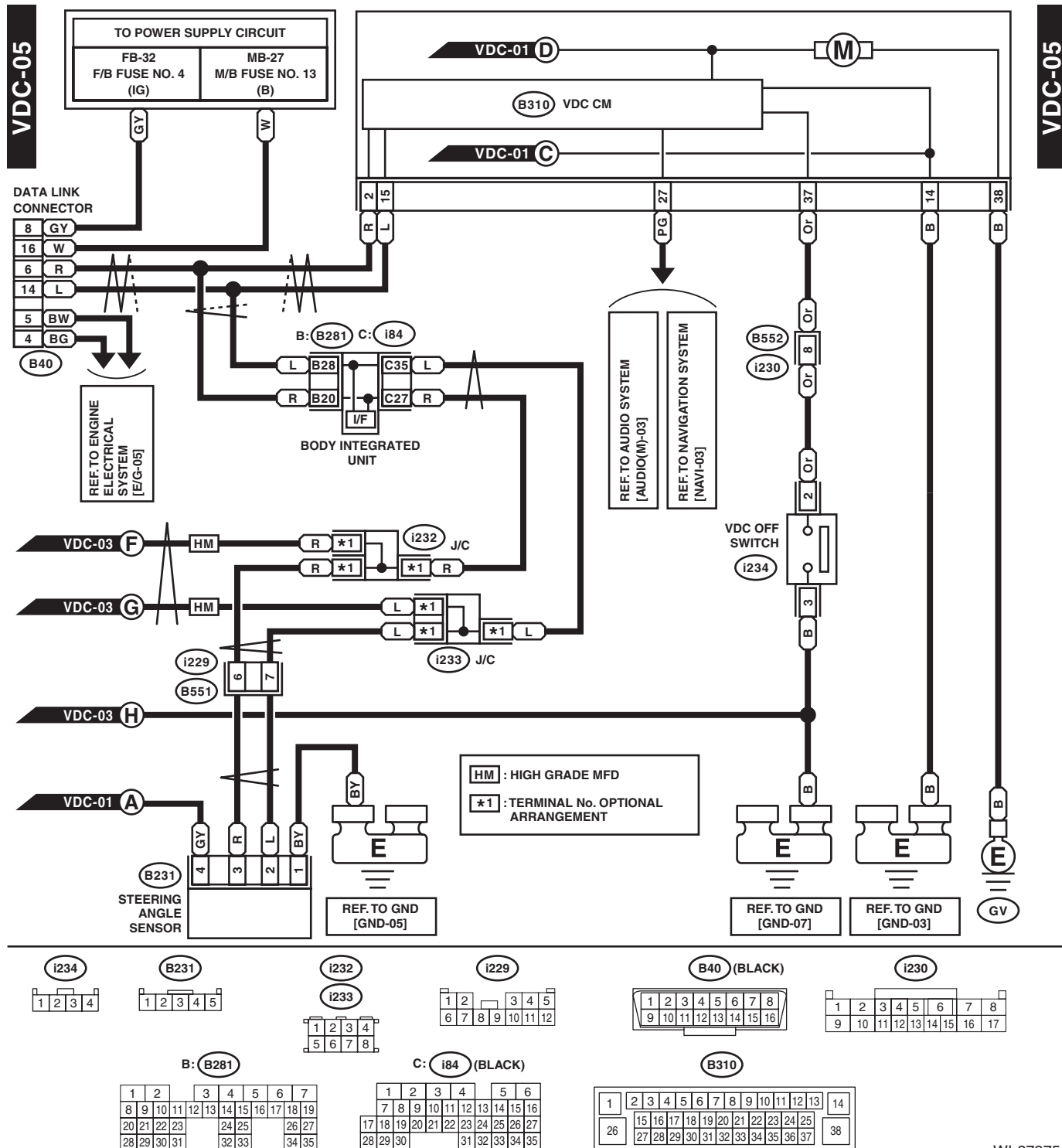
WIRING SYSTEM



WI-34264

Vehicle Dynamics Control System

WIRING SYSTEM



WI-37875