

Cam Clearance

MECHANICAL

8. Cam Clearance

A: INSPECTION

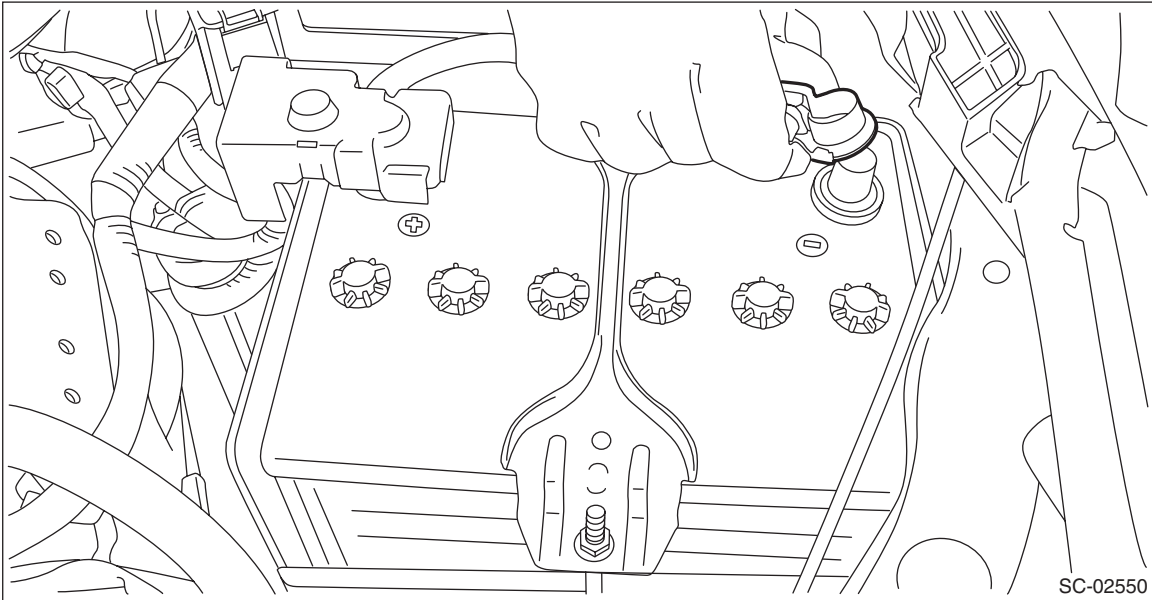
1. WHEN TIMING CHAIN ASSEMBLY IS NOT REMOVED

CAUTION:

When working on the vehicle, if engine oil is spilt onto the exhaust pipe, wipe it off with cloth to avoid emission of smoke or causing a fire.

NOTE:

- Inspection of cam clearance should be performed while engine is cold.
 - If the engine is removed from vehicle, performing the step 1) and 2) is not necessary.
- 1) Disconnect the ground cable from battery.



2) Remove the air intake duct. <Ref. to IN(H4DO)-13, REMOVAL, Air Intake Duct.>

3) When inspecting #1 and #3 cylinders

- (1) Remove the rocker cover RH. <Ref. to ME(H4DO)-139, ROCKER COVER RH, REMOVAL, Rocker Cover.>

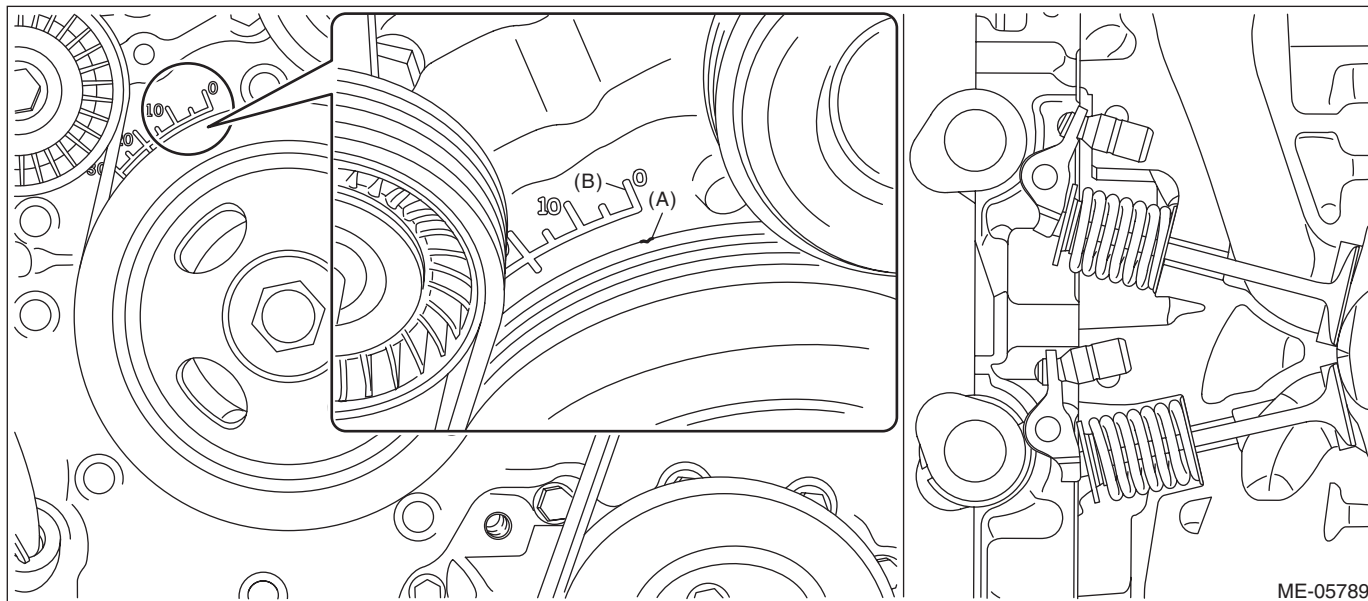
NOTE:

When working on the vehicle, place a suitable container under the vehicle.

- (2) Set #1 cylinder piston to top dead center of compression stroke by rotating the crank pulley clockwise using the socket wrench.

NOTE:

When the timing mark (A) on crank pulley is aligned to the 0° in timing gauge (B) on chain cover as shown in the figure, the #1 cylinder piston is located at TDC of compression stroke if the intake camshaft and exhaust camshaft does not depress the #1 cylinder intake side roller rocker arm (intake valve) and exhaust side roller rocker arm (exhaust valve). If roller rocker arm (valve) is depressed, turn the crank pulley by 360° in order to make #1 cylinder piston at TDC of compression stroke.



(3) Check the cam clearance for #1 cylinder intake, #1 cylinder exhaust and #3 cylinder exhaust.

NOTE:

- Measure the roller surface of cam base circle and roller rocker arm using thickness gauge (A).
- If the measured value is out of standard, take notes of the value in order to adjust the cam clearance later on.

Cam clearance:

Intake

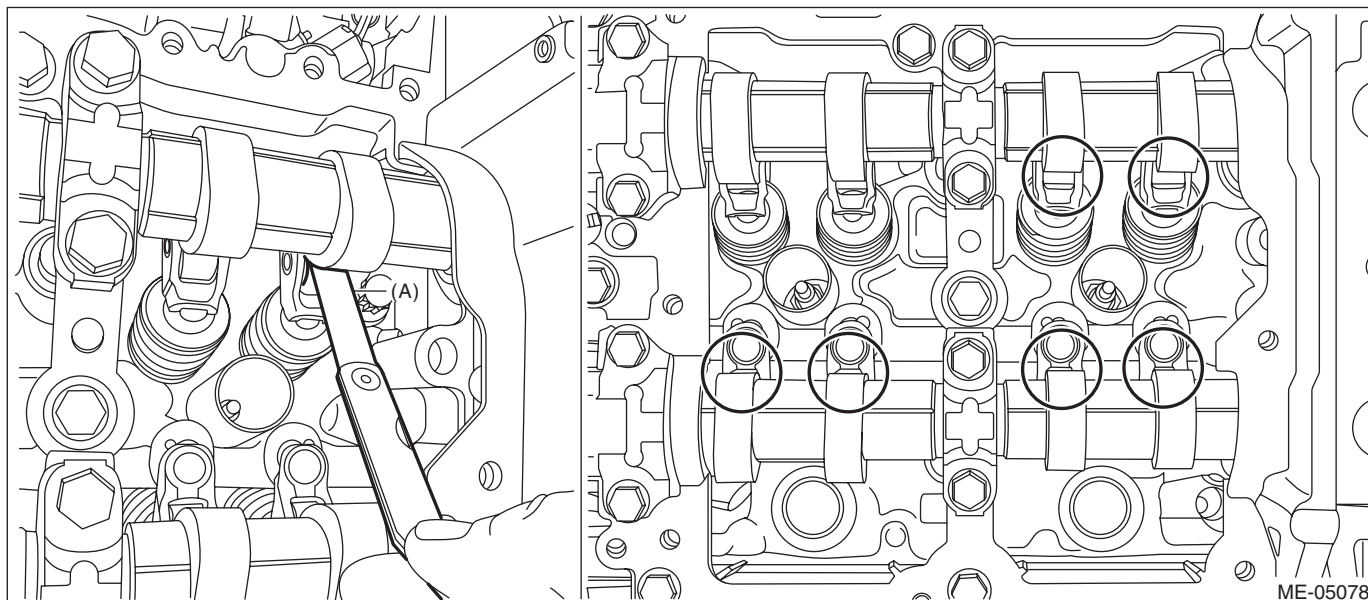
Standard

0.13±0.03 mm (0.0051±0.0012 in)

Exhaust

Standard

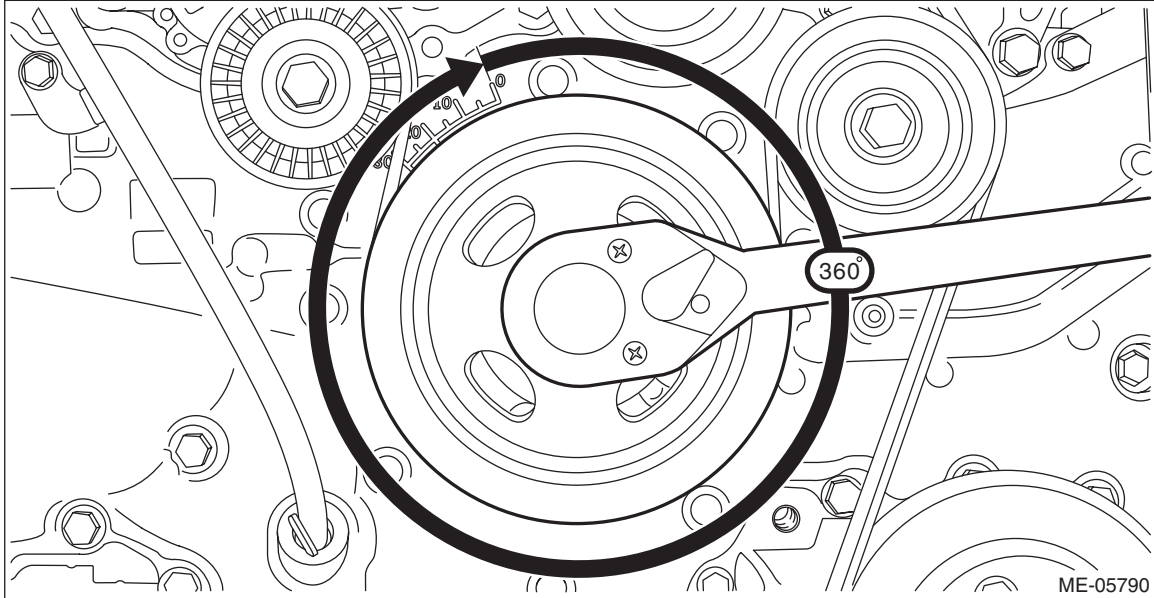
0.24±0.03 mm (0.0094±0.0012 in)



Cam Clearance

MECHANICAL

(4) Turn the crank pulley by 360°.



(5) Check the clearance of #3 cylinder intake.

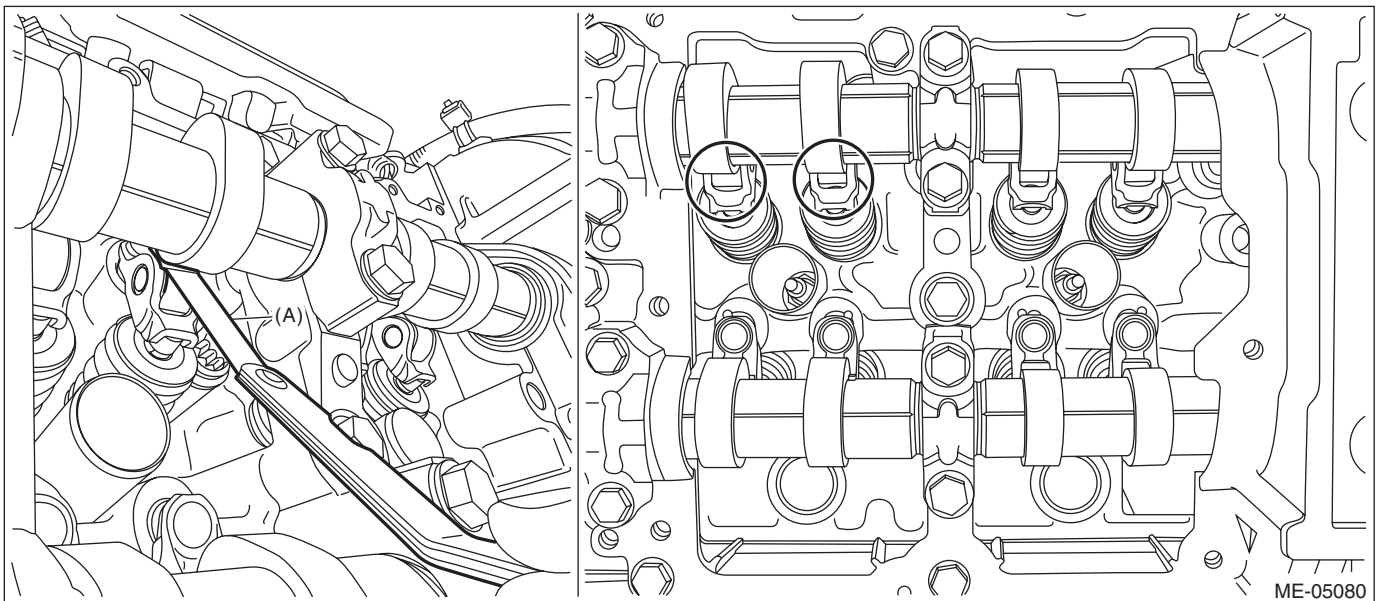
NOTE:

- Measure the roller surface of cam base circle and roller rocker arm using thickness gauge (A).
- If the measured value is out of standard, take notes of the value in order to adjust the cam clearance later on.

Cam clearance:

Standard

0.13 ± 0.03 mm (0.0051 ± 0.0012 in)



4) When inspecting #2 and #4 cylinders

- (1) Remove the rocker cover LH. <Ref. to ME(H4DO)-142, ROCKER COVER LH, REMOVAL, Rocker Cover.>

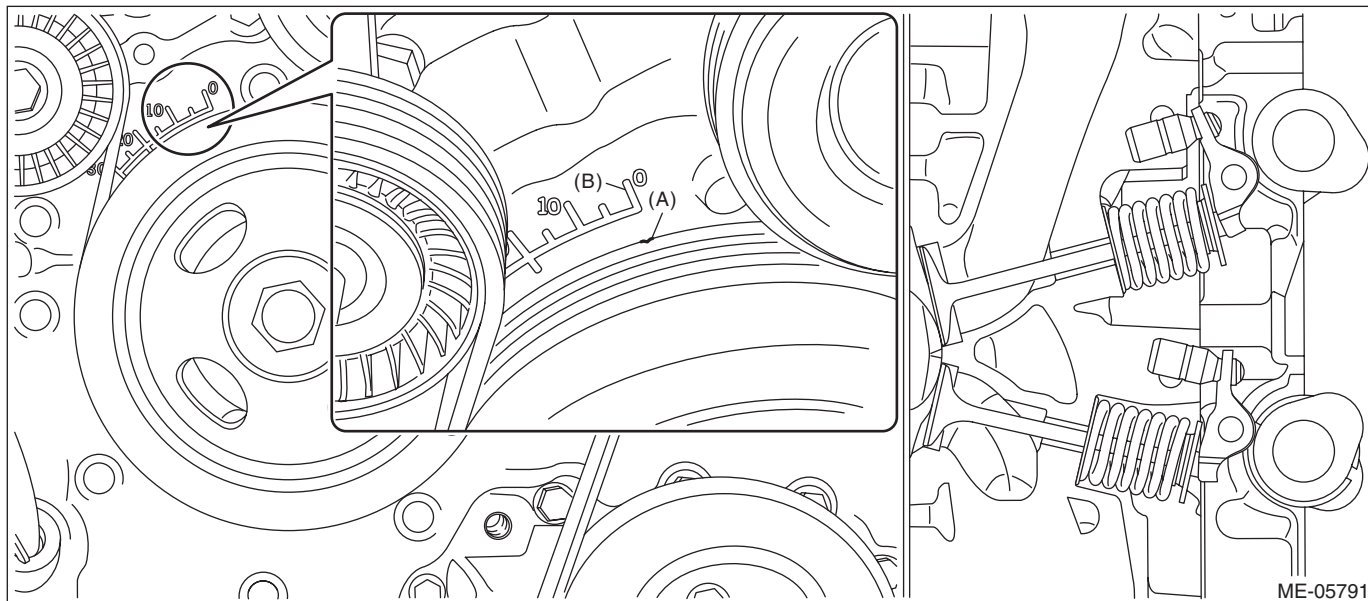
NOTE:

When working on the vehicle, place a suitable container under the vehicle.

- (2) Set #2 cylinder piston to top dead center of compression stroke by rotating the crank pulley clockwise using the socket wrench.

NOTE:

When the timing mark (A) on crank pulley is aligned to the 0° in timing gauge (B) on chain cover as shown in the figure, the #2 cylinder piston is located at TDC of compression stroke if the intake camshaft and exhaust camshaft does not depress the #2 cylinder intake side roller rocker arm (intake valve) and exhaust side roller rocker arm (exhaust valve). If roller rocker arm (valve) is depressed, turn the crank pulley by 360° in order to make #2 cylinder piston at TDC of compression stroke.



(3) Check the cam clearance for #2 cylinder intake, #2 cylinder exhaust and #4 cylinder exhaust.

NOTE:

- Measure the roller surface of cam base circle and roller rocker arm using thickness gauge (A).
- If the measured value is out of standard, take notes of the value in order to adjust the cam clearance later on.

Cam clearance:

Intake

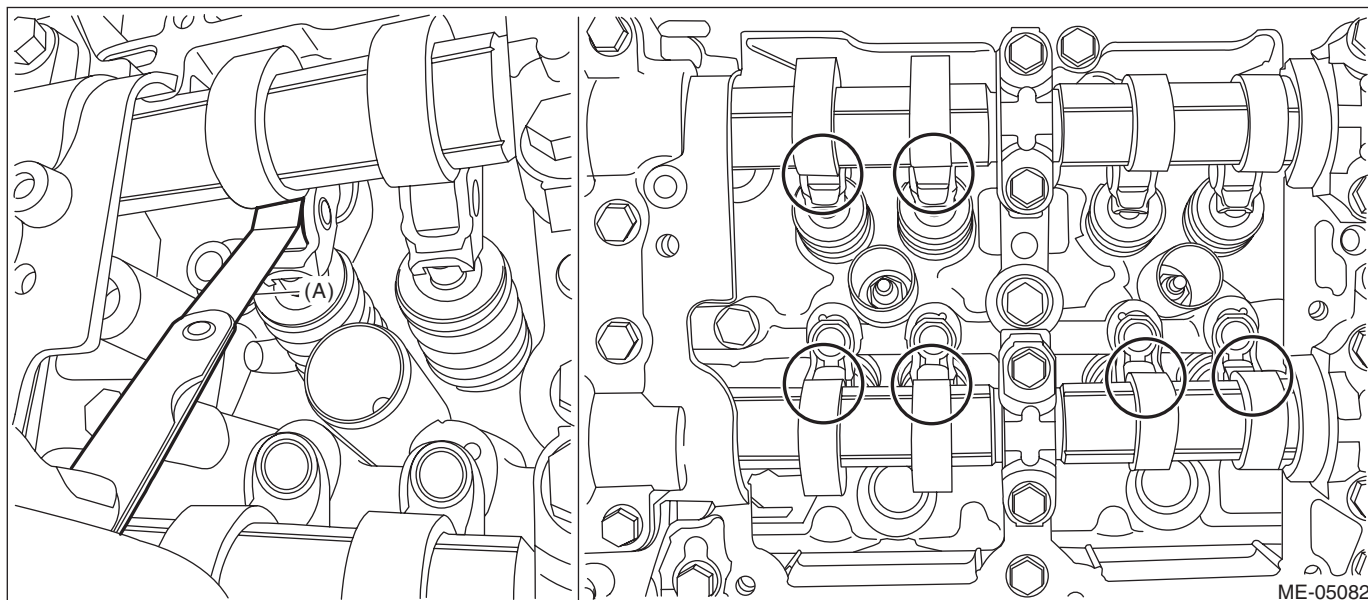
Standard

0.13±0.03 mm (0.0051±0.0012 in)

Exhaust

Standard

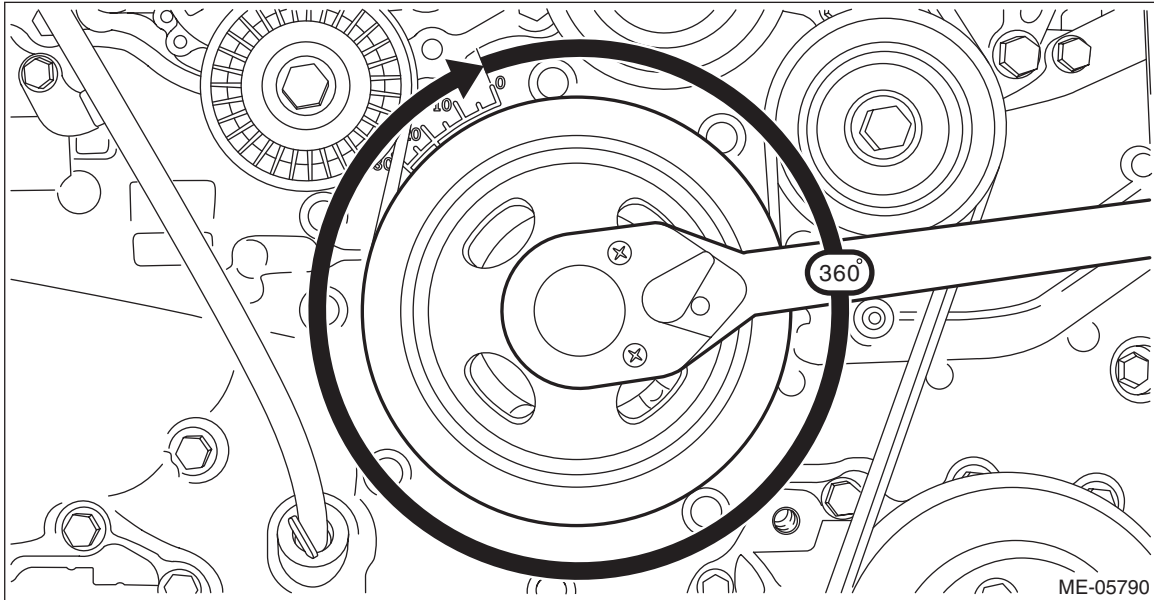
0.24±0.03 mm (0.0094±0.0012 in)



Cam Clearance

MECHANICAL

(4) Turn the crank pulley by 360°.



(5) Check the clearance of #4 cylinder intake.

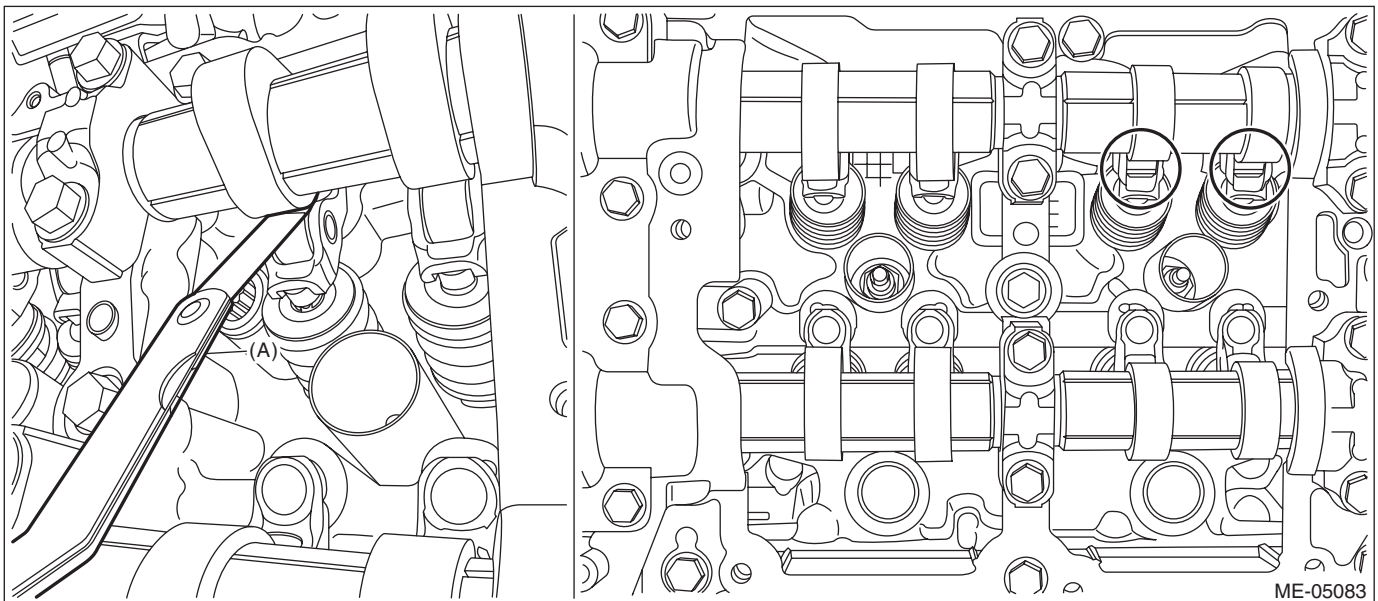
NOTE:

- Measure the roller surface of cam base circle and roller rocker arm using thickness gauge (A).
- If the measured value is out of standard, take notes of the value in order to adjust the cam clearance later on.

Cam clearance:

Standard

$0.13 \pm 0.03 \text{ mm}$ ($0.0051 \pm 0.0012 \text{ in}$)



5) If necessary, adjust the cam clearance. <Ref. to ME(H4DO)-40, ADJUSTMENT, Cam Clearance.>

6) After inspection, install the related parts in the reverse order of removal.

2. WHEN TIMING CHAIN ASSEMBLY IS REMOVED

NOTE:

Inspection of cam clearance should be performed while engine is cold.

1) When inspecting #1 and #3 cylinders

(1) Remove the rocker cover RH. <Ref. to ME(H4DO)-139, ROCKER COVER RH, REMOVAL, Rocker Cover.>

NOTE:

When working on the vehicle, place a suitable container under the vehicle.

(2) Check the #1 and #3 cylinder cam clearance.

CAUTION:

Intake and exhaust camshafts can be independently rotated with the timing chain removed. When the intake valve and exhaust valve lift at the same time, the valve heads contact each other and valve stem may bend. Do not turn it to the outside of range of zero lift (cam base circle position) (in range where it can be turned lightly by hand).

NOTE:

- For cam clearance inspection, adjust the cam base circle position so that the thickness gauge (A) can be inserted easily by hand turning the camshaft (cam sprocket) to be measured.
- Measure the roller surface of cam base circle and roller rocker arm using thickness gauge (A).
- If the measured value is out of standard, take notes of the value in order to adjust the cam clearance later on.

Cam clearance:

Intake

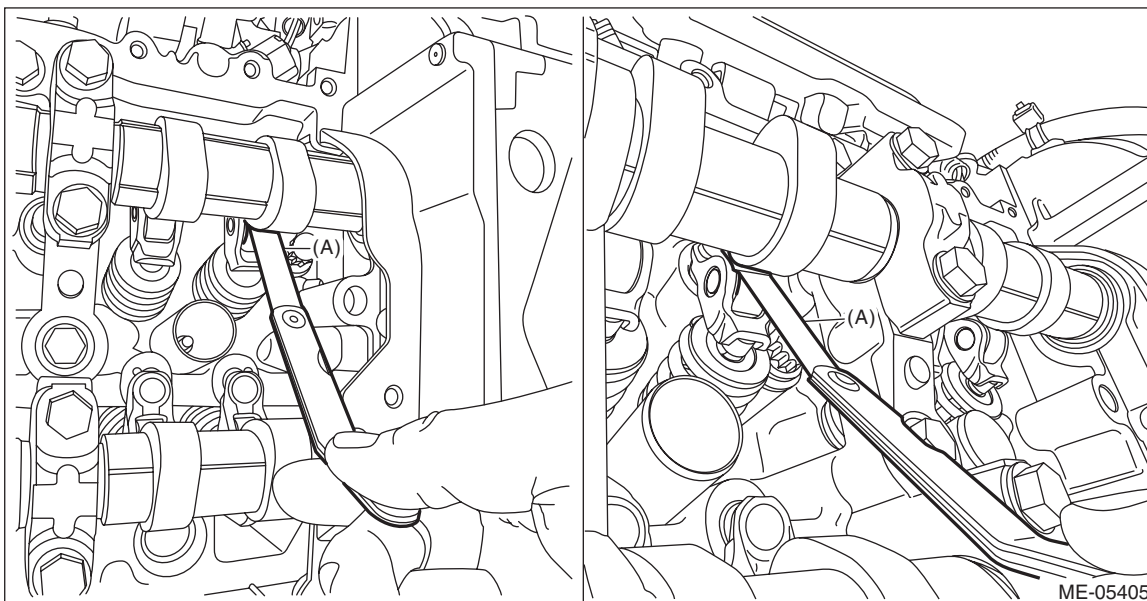
Standard

0.13 ± 0.03 mm (0.0051 ± 0.0012 in)

Exhaust

Standard

0.24 ± 0.03 mm (0.0094 ± 0.0012 in)



ME-05405

Cam Clearance

MECHANICAL

2) When inspecting #2 and #4 cylinders

(1) Remove the rocker cover LH. <Ref. to ME(H4DO)-142, ROCKER COVER LH, REMOVAL, Rocker Cover.>

NOTE:

When working on the vehicle, place a suitable container under the vehicle.

(2) Check the #2 and #4 cylinder cam clearance.

CAUTION:

Intake and exhaust camshafts can be independently rotated with the timing chain removed. When the intake valve and exhaust valve lift at the same time, the valve heads contact each other and valve stem may bend. Do not turn it to the outside of range of zero lift (cam base circle position) (in range where it can be turned lightly by hand).

NOTE:

- For cam clearance inspection, adjust the cam base circle position so that the thickness gauge (A) can be inserted easily by hand turning the camshaft (cam sprocket) to be measured.
- Measure the roller surface of cam base circle and roller rocker arm using thickness gauge (A).
- If the measured value is out of standard, take notes of the value in order to adjust the cam clearance later on.

Cam clearance:

Intake

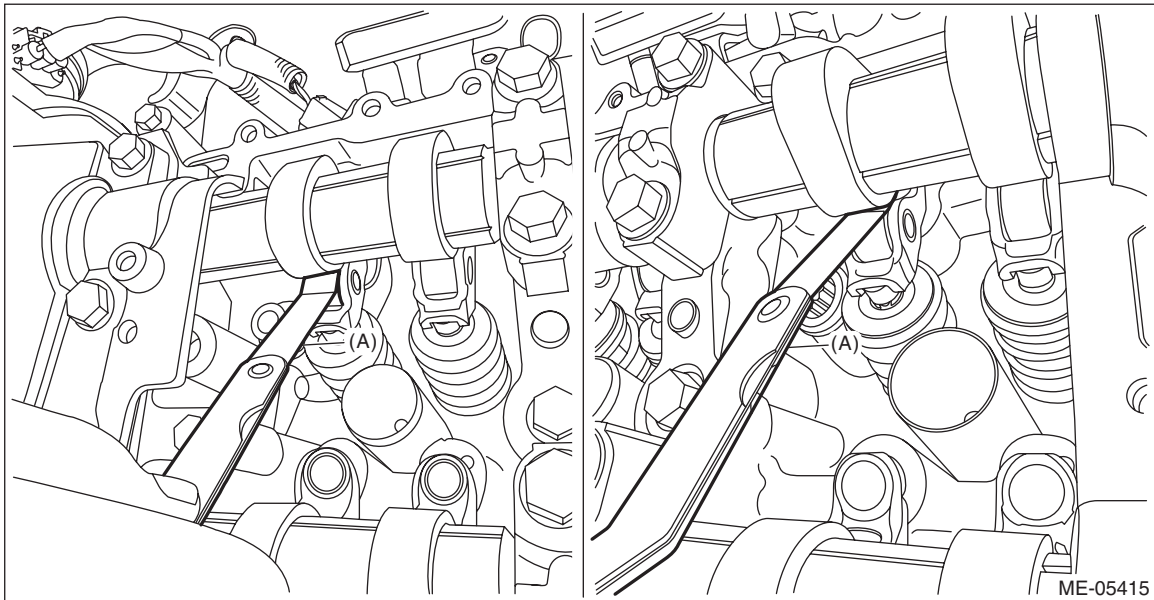
Standard

0.13 ± 0.03 mm (0.0051 ± 0.0012 in)

Exhaust

Standard

0.24 ± 0.03 mm (0.0094 ± 0.0012 in)



3) If necessary, adjust the cam clearance. <Ref. to ME(H4DO)-40, ADJUSTMENT, Cam Clearance.>

4) After inspection, install the related parts in the reverse order of removal.

B: ADJUSTMENT

1) Remove the engine from the vehicle. <Ref. to ME(H4DO)-43, REMOVAL, Engine Assembly.>

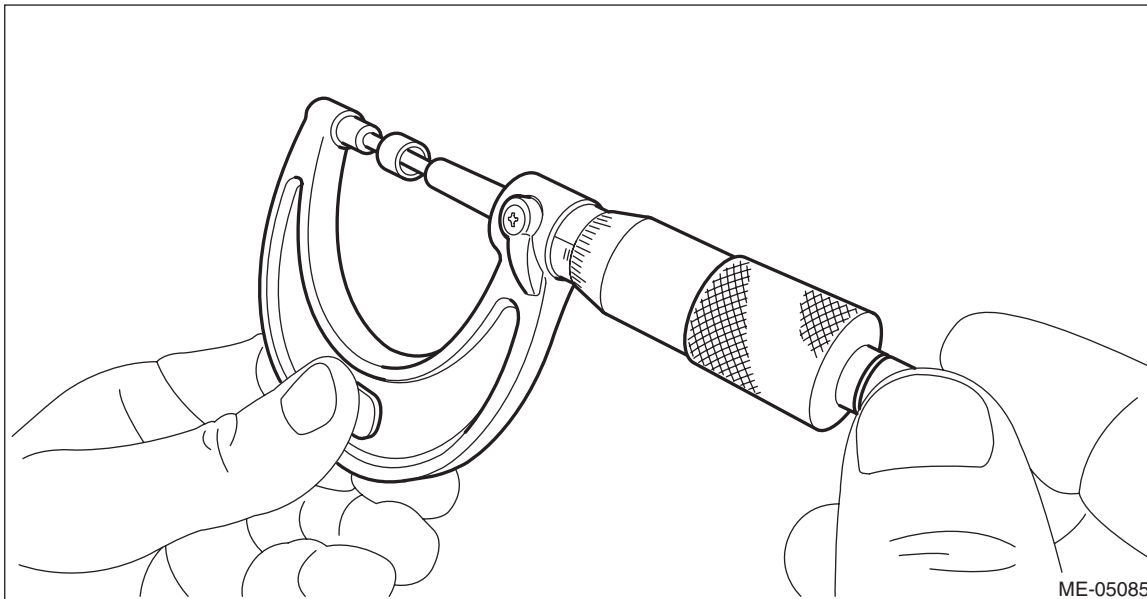
2) Remove the chain cover. <Ref. to ME(H4DO)-92, REMOVAL, Chain Cover.>

3) When adjusting #1 and #3 cylinders

- (1) Remove the timing chain RH. <Ref. to ME(H4DO)-108, TIMING CHAIN RH, REMOVAL, Timing Chain Assembly.>
- (2) Remove the cam carrier RH. <Ref. to ME(H4DO)-153, CAM CARRIER RH, REMOVAL, Cam Carrier.>
- (3) Measure the thickness of valve shim using micrometer.

NOTE:

Measurement should be performed at a temperature of 20°C (68°F).



- (4) Select a valve shim of suitable thickness using the measured cam clearance and valve shim thickness.

NOTE:

Use a new valve shim.

Intake side: $S = T + 1.54 \times (V - 0.13 \text{ mm (0.0051 in)})$
Exhaust side: $S = T + 1.69 \times (V - 0.24 \text{ mm (0.0094 in)})$
S: Valve shim thickness required
V: Measured cam clearance
T: Current valve shim thickness

- (5) Install the cam carrier RH. <Ref. to ME(H4DO)-164, CAM CARRIER RH, INSTALLATION, Cam Carrier.>
- (6) Check all the cam clearance of RH side at this time. If the cam clearance is not within the standard value, repeat the procedure over again from step 2).

NOTE:

When the removing/installing of cam carrier RH has been performed, cam clearance may be outside the standard value. Checking of all cam clearance of RH side is necessary. Refer to INSPECTION of "Cam Clearance" for the cam clearance inspection. <Ref. to ME(H4DO)-39, WHEN TIMING CHAIN ASSEMBLY IS REMOVED, INSPECTION, Cam Clearance.>

Cam clearance:

Intake

Standard

0.13±0.03 mm (0.0051±0.0012 in)

Exhaust

Standard

0.24±0.03 mm (0.0094±0.0012 in)

Cam Clearance

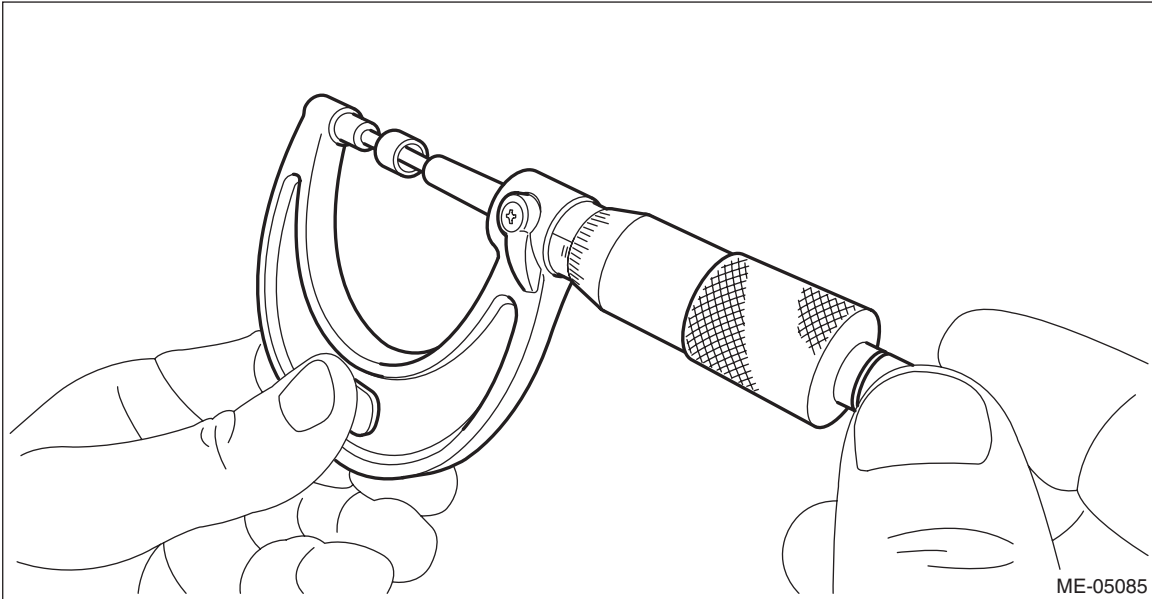
MECHANICAL

4) When adjusting #2 and #4 cylinders

- (1) Remove the timing chain LH. <Ref. to ME(H4DO)-111, TIMING CHAIN LH, REMOVAL, Timing Chain Assembly.>
- (2) Remove the cam carrier LH. <Ref. to ME(H4DO)-158, CAM CARRIER LH, REMOVAL, Cam Carrier.>
- (3) Measure the thickness of valve shim using micrometer.

NOTE:

Measurement should be performed at a temperature of 20°C (68°F).



- (4) Select a valve shim of suitable thickness using the measured cam clearance and valve shim thickness.

NOTE:

Use a new valve shim.

Intake side: $S = T + 1.54 \times (V - 0.13 \text{ mm (0.0051 in)})$ Exhaust side: $S = T + 1.69 \times (V - 0.24 \text{ mm (0.0094 in)})$
S: Valve shim thickness required V: Measured cam clearance T: Current valve shim thickness

- (5) Install the cam carrier LH. <Ref. to ME(H4DO)-175, CAM CARRIER LH, INSTALLATION, Cam Carrier.>
- (6) Check all the cam clearance of LH side at this time. If the cam clearance is not within the standard value, repeat the procedure over again from step 2).

NOTE:

When the removing/installing of cam carrier LH has been performed, cam clearance may be outside the standard value. Checking of all cam clearance of LH side is necessary. Refer to INSPECTION of "Cam Clearance" for the cam clearance inspection. <Ref. to ME(H4DO)-39, WHEN TIMING CHAIN ASSEMBLY IS REMOVED, INSPECTION, Cam Clearance.>

Cam clearance:

Intake

Standard

$0.13 \pm 0.03 \text{ mm (0.0051} \pm 0.0012 \text{ in)}$

Exhaust

Standard

$0.24 \pm 0.03 \text{ mm (0.0094} \pm 0.0012 \text{ in)}$

- 5) After adjustment, install the related parts in the reverse order of removal.