

Preparation for Overhaul

MECHANICAL

11. Preparation for Overhaul

A: PROCEDURE

1) After removing the engine from the vehicle body, attach the ST to the engine as shown in the figure.

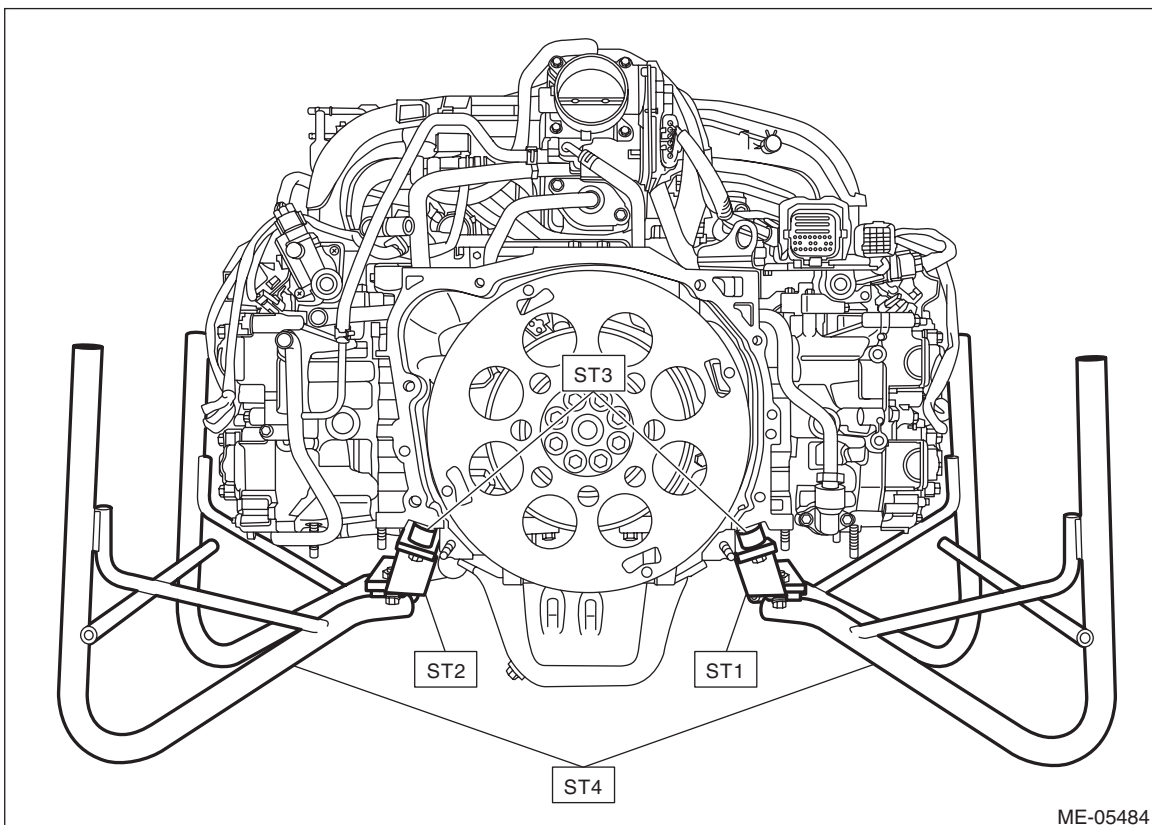
NOTE:

When using a commercially sold engine stand, follow the instructions of engine stand used.

Tightening torque:

35 N·m (3.6 kgf-m, 25.8 ft-lb)

ST1	498457000	ENGINE STAND ADAPTER RH
ST2	498457100	ENGINE STAND ADAPTER LH
ST3	18362AA020	ADAPTER
ST4	499817100	ENGINE STAND



2) In this section the procedures described under each index are all connected and stated in order. The procedure for overhauling of the engine will be completed when you go through all steps in the process. Therefore, in this section, to conduct the particular procedure within the flow of a section, you need to go back and conduct the procedure described previously in order to do that particular procedure.