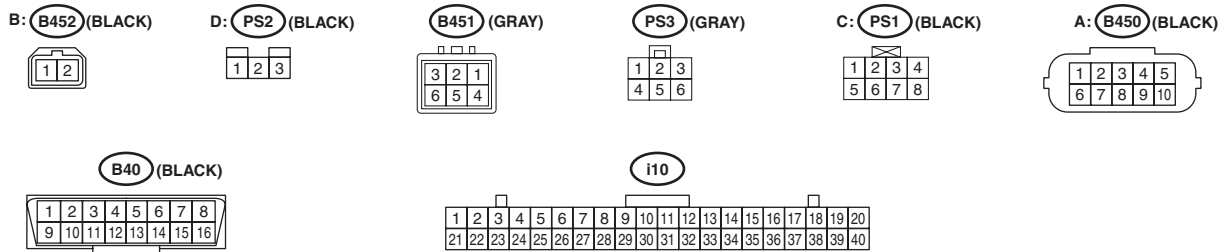
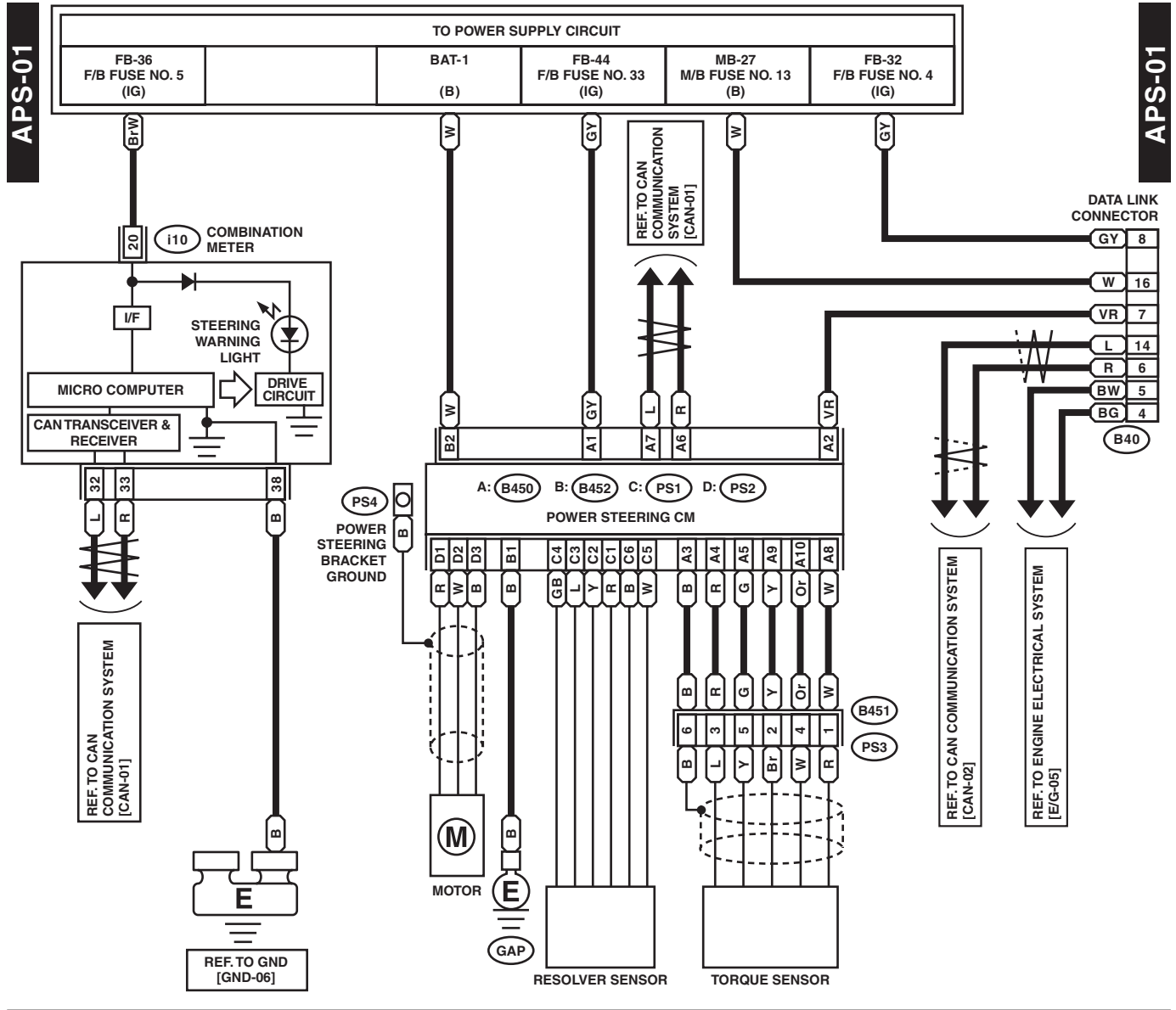


16. Electric Power Steering System

A: WIRING DIAGRAM



WI-34193