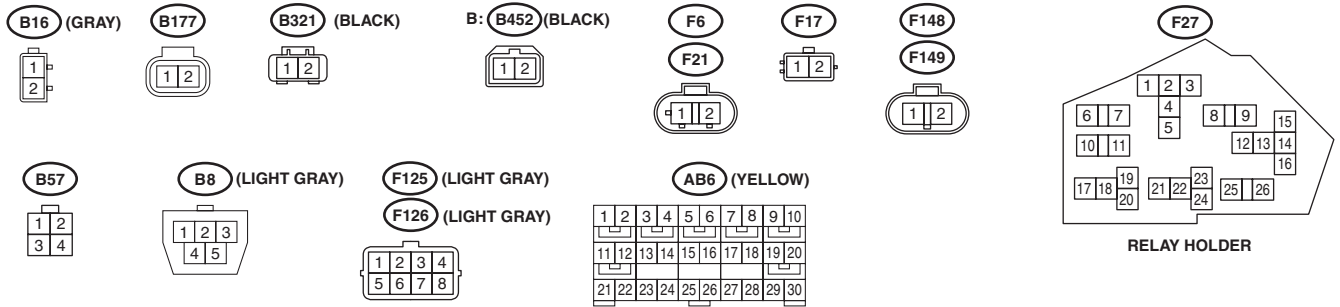
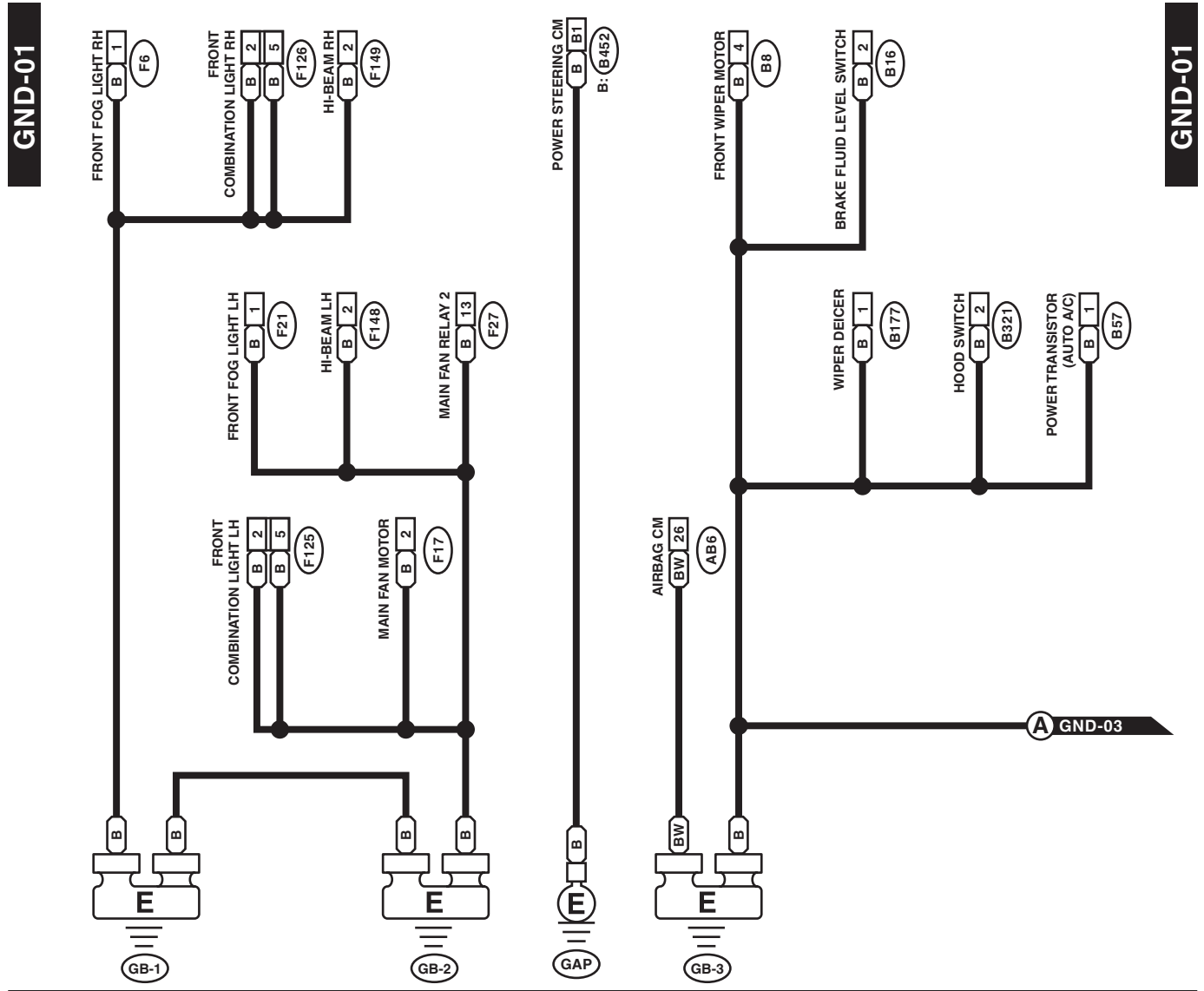


4. Ground Circuit

A: WIRING DIAGRAM



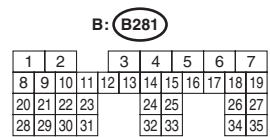
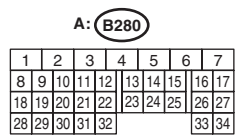
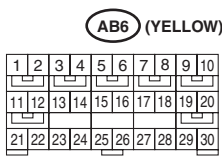
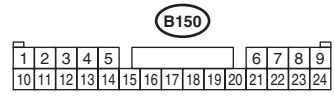
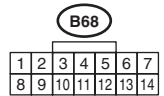
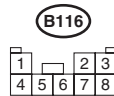
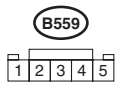
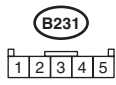
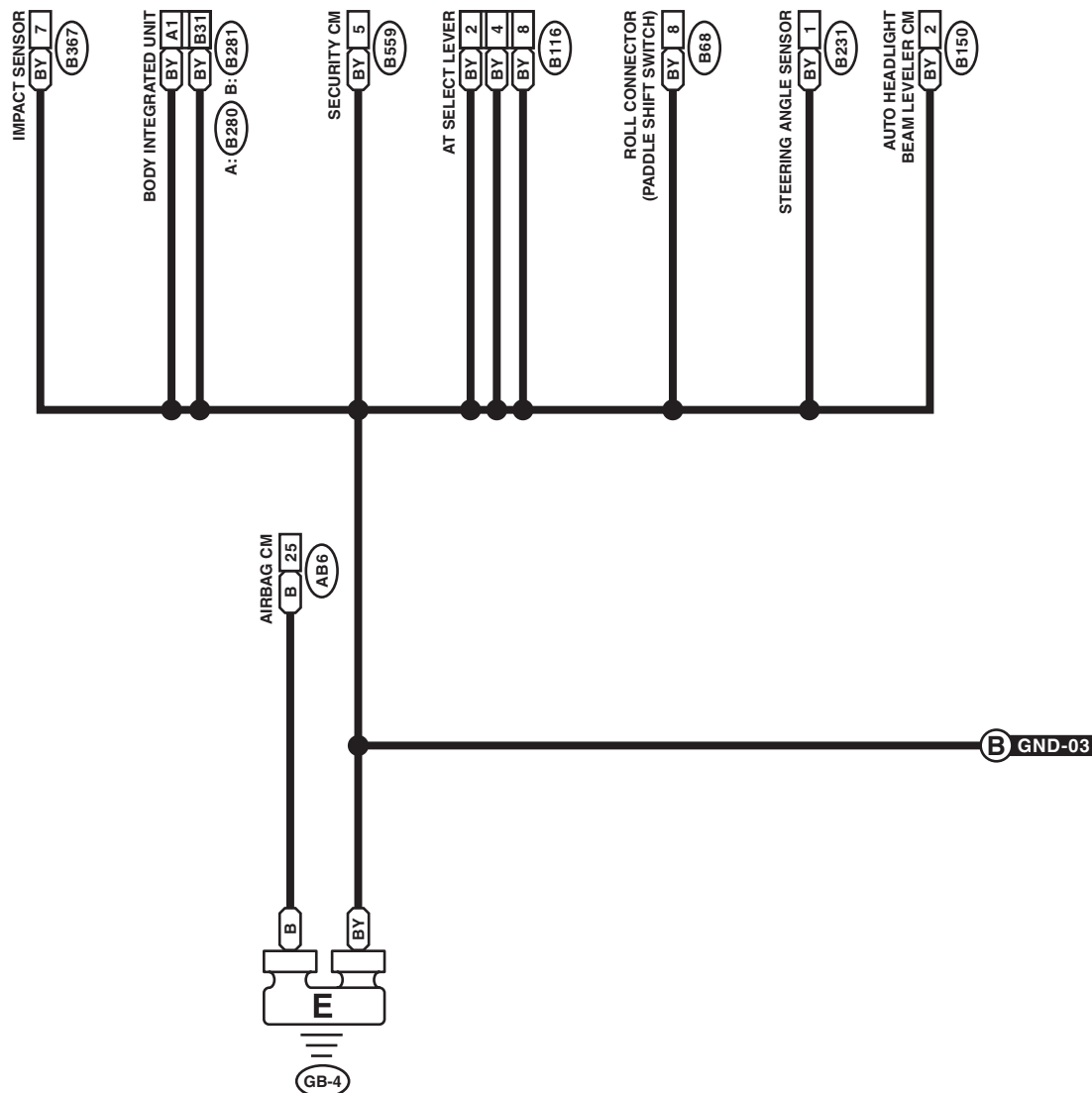
WI-34140

Ground Circuit

WIRING SYSTEM

GND-02

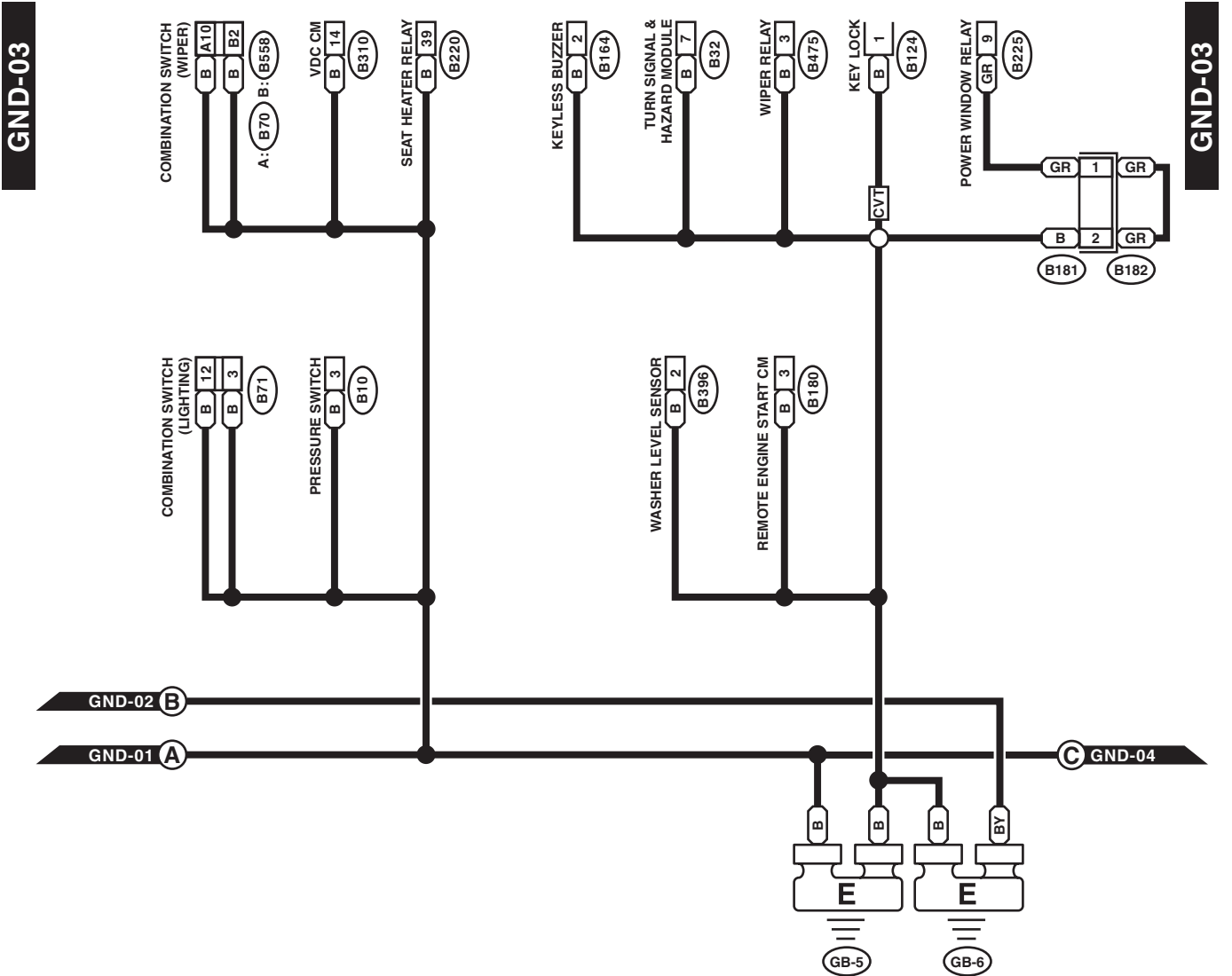
GND-02



WI-37807

Ground Circuit

WIRING SYSTEM



B124 (BLACK)



B164 (BLACK)



B181 (BROWN)



B396 (BROWN)



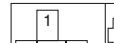
B10 (LIGHT GRAY)



B180



B475



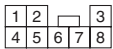
B: B558



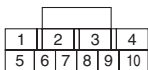
B220

B225

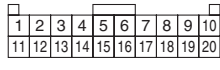
B32



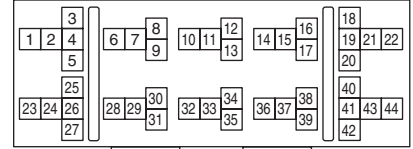
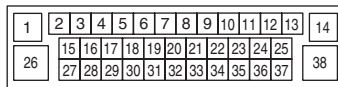
A: B70



B71



B310

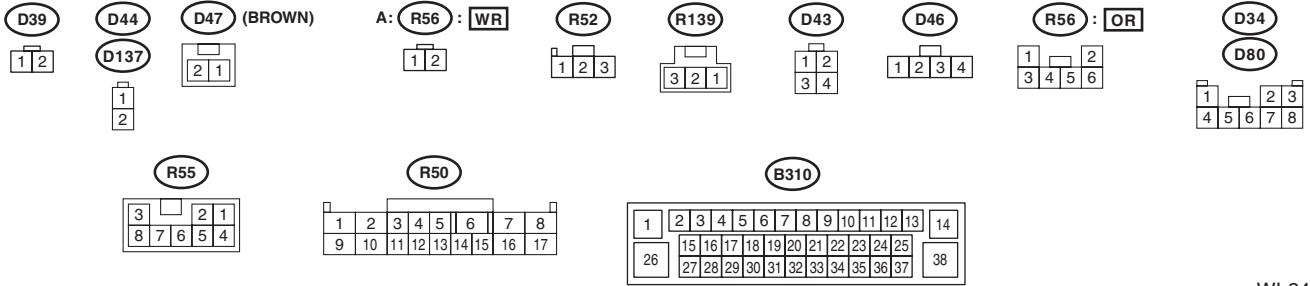
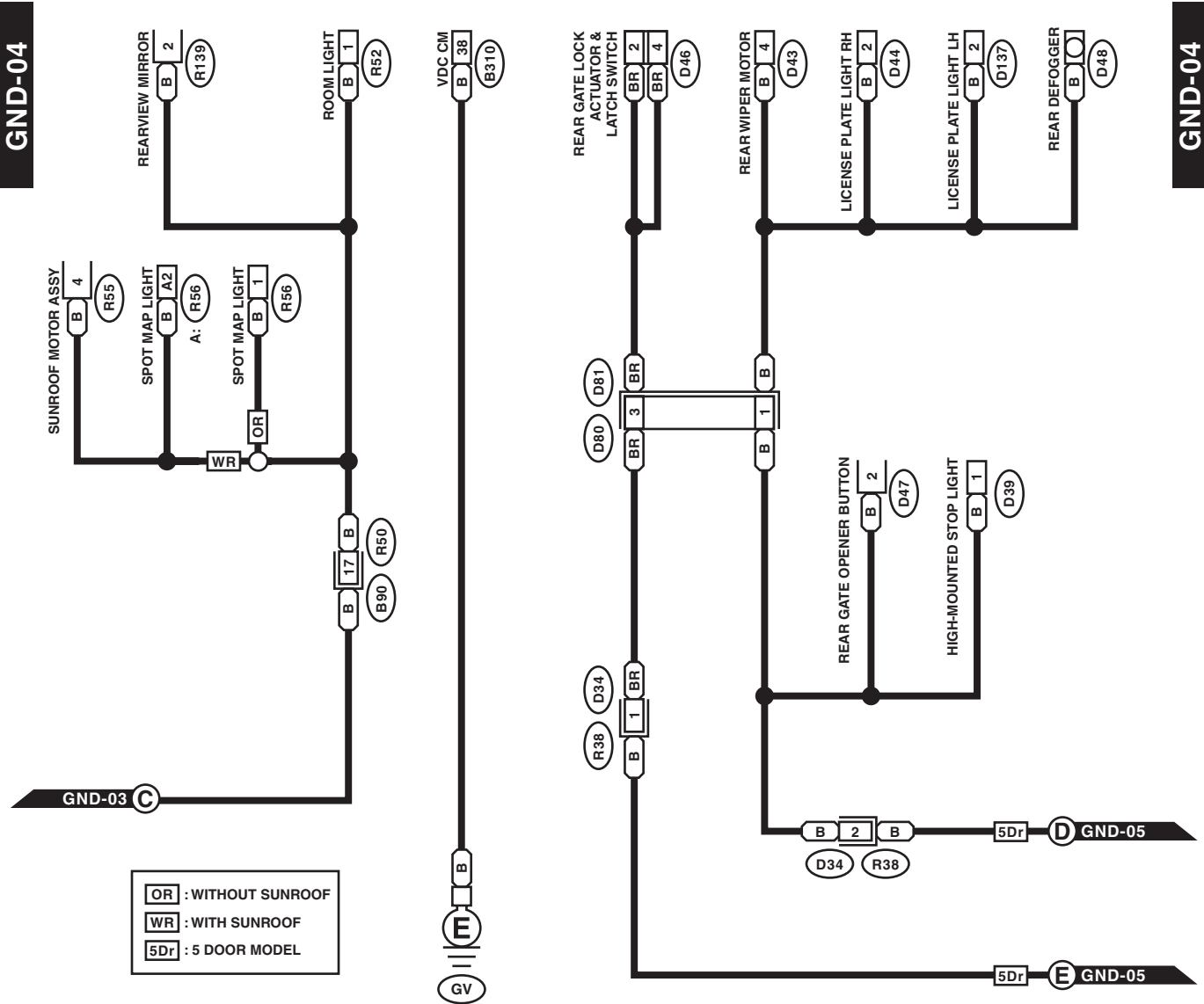


RELAY HOLDER

WI-34142

Ground Circuit

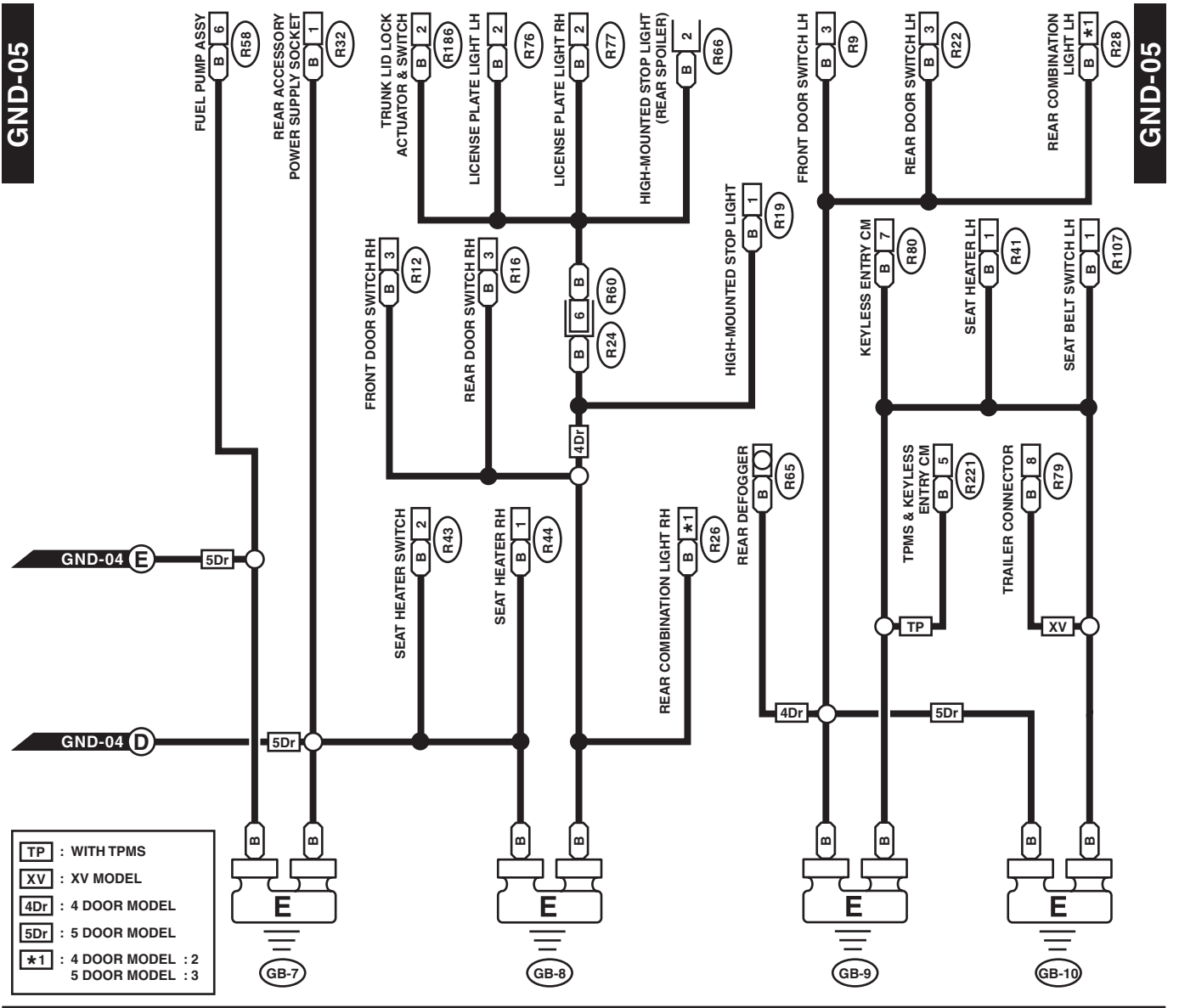
WIRING SYSTEM



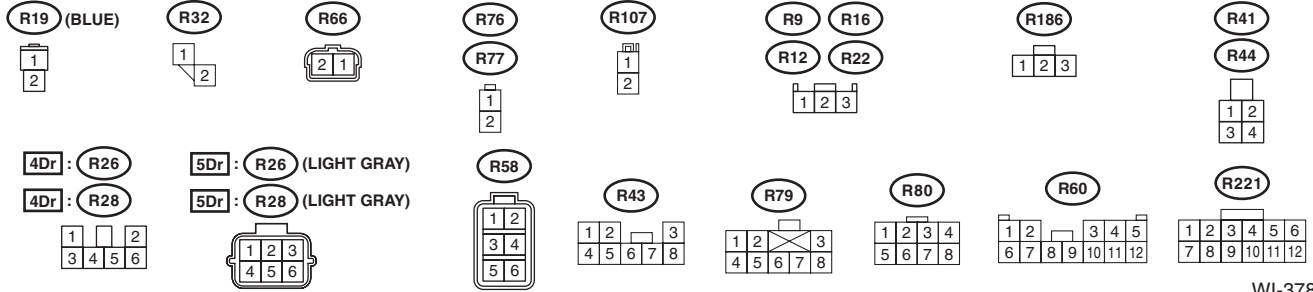
WI-34143

Ground Circuit

WIRING SYSTEM



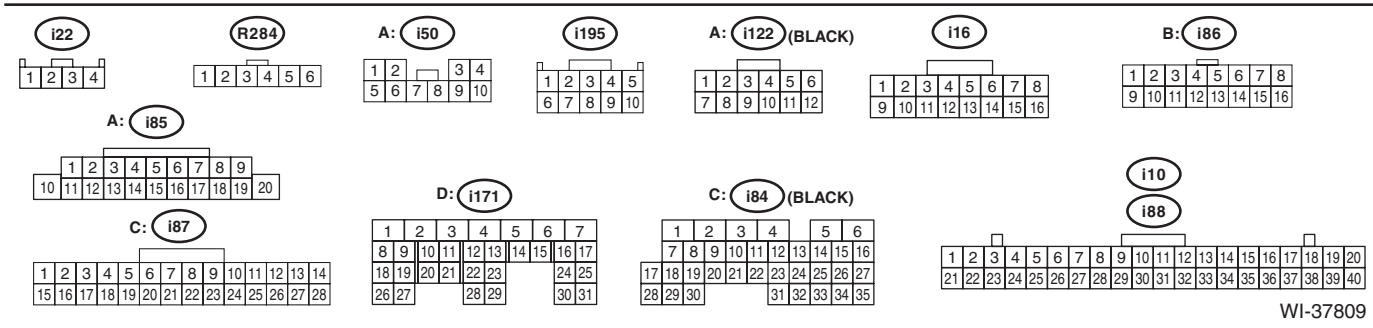
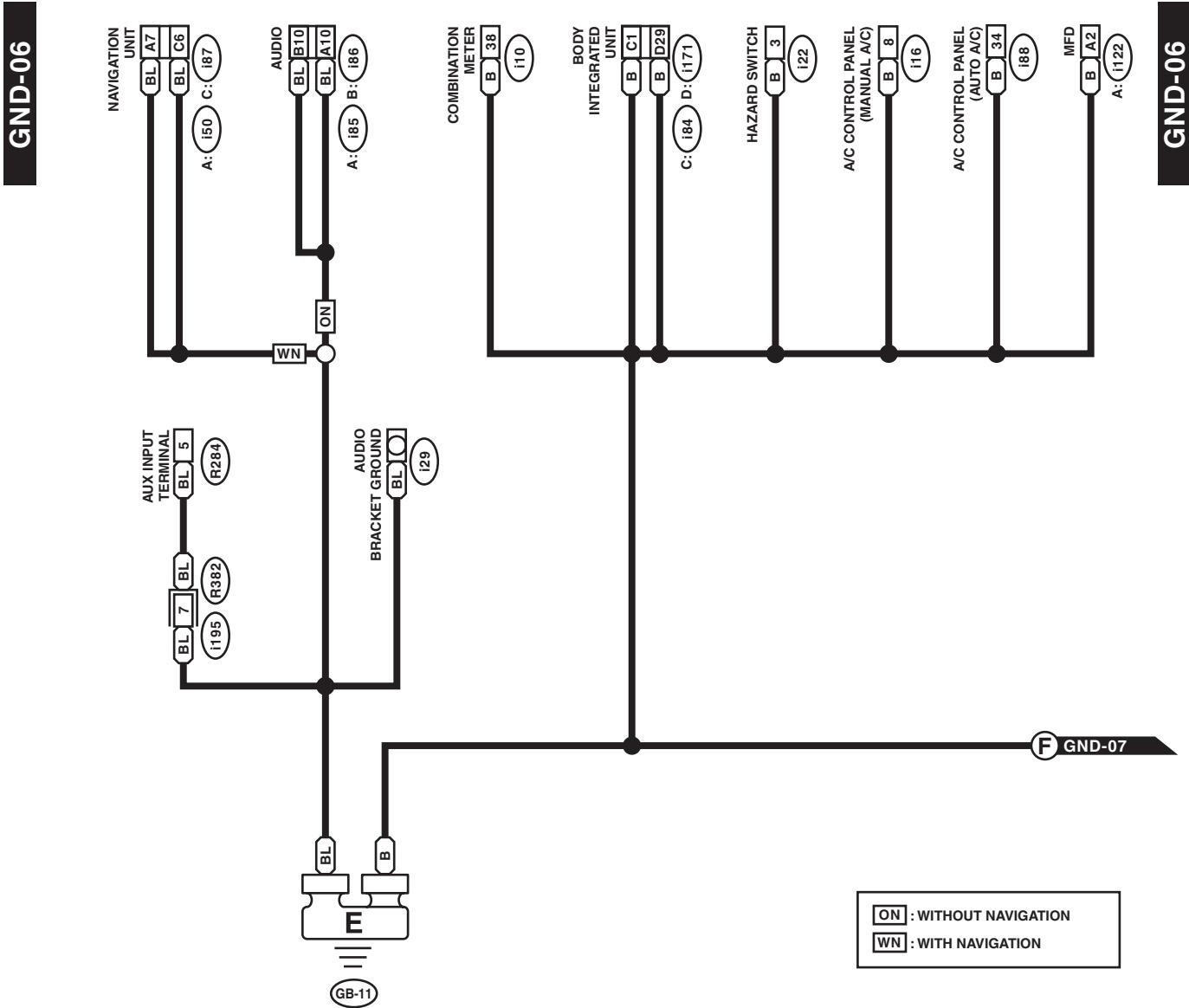
- TP : WITH TPMS
- XV : XV MODEL
- 4Dr : 4 DOOR MODEL
- 5Dr : 5 DOOR MODEL
- *1 : 4 DOOR MODEL : 2
5 DOOR MODEL : 3



WI-37808

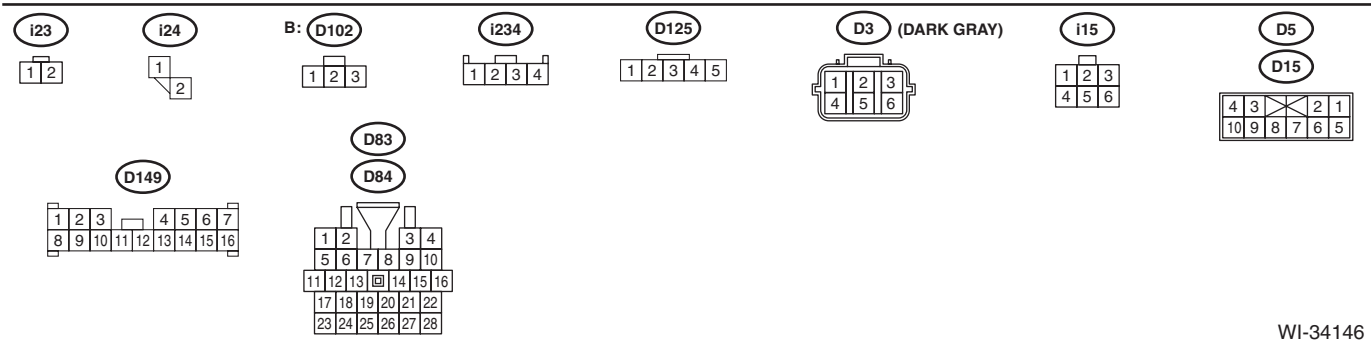
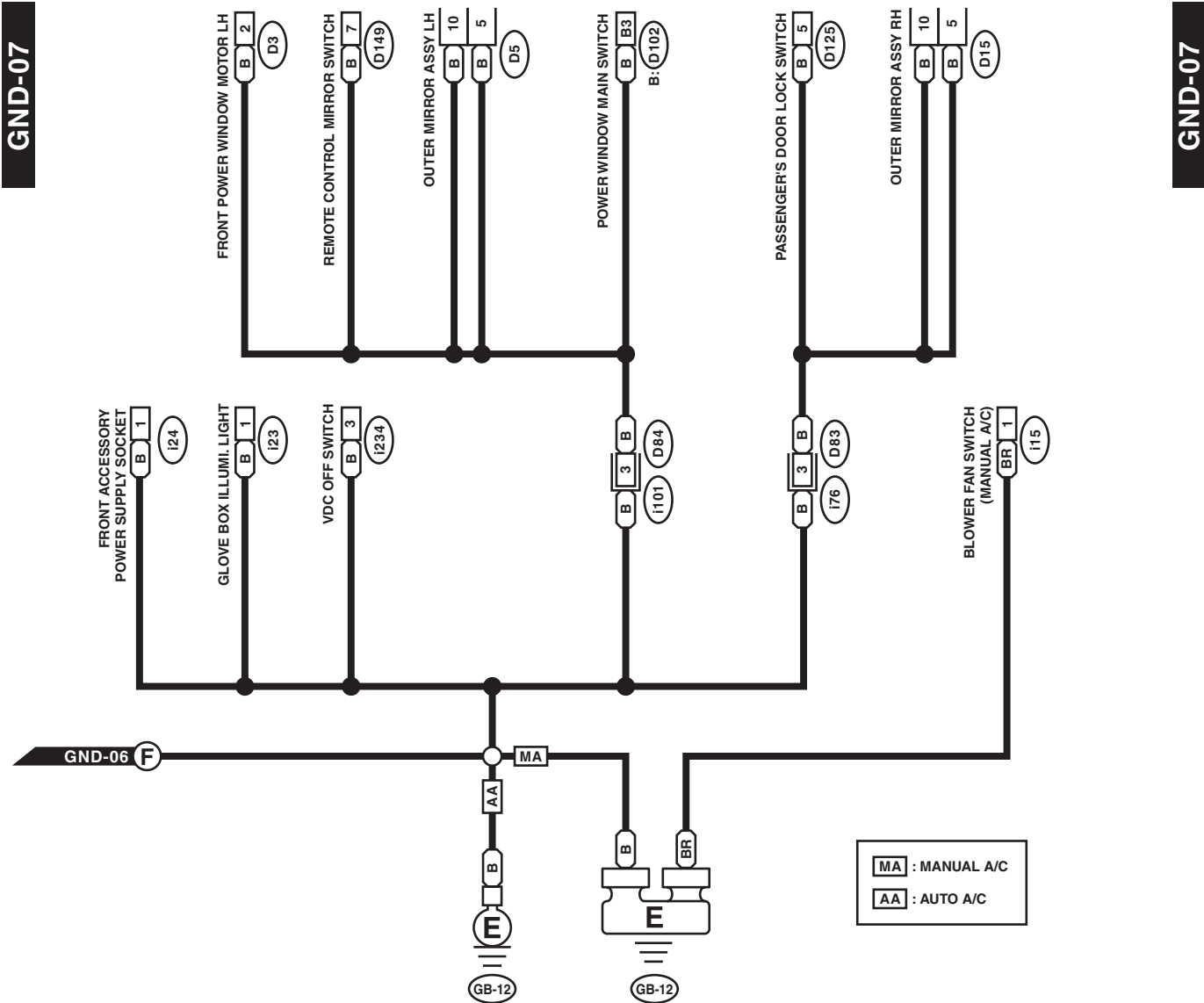
Ground Circuit

WIRING SYSTEM



WI-37809

Ground Circuit



MA : MANUAL A/C
AA : AUTO A/C

WI-34146

GND-07

GND-07