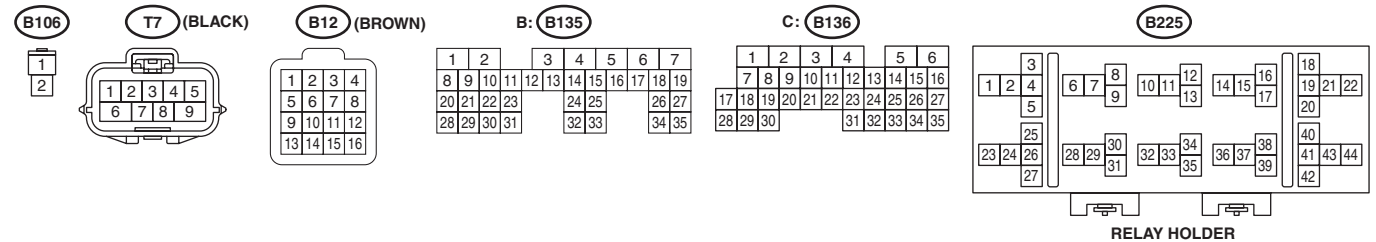
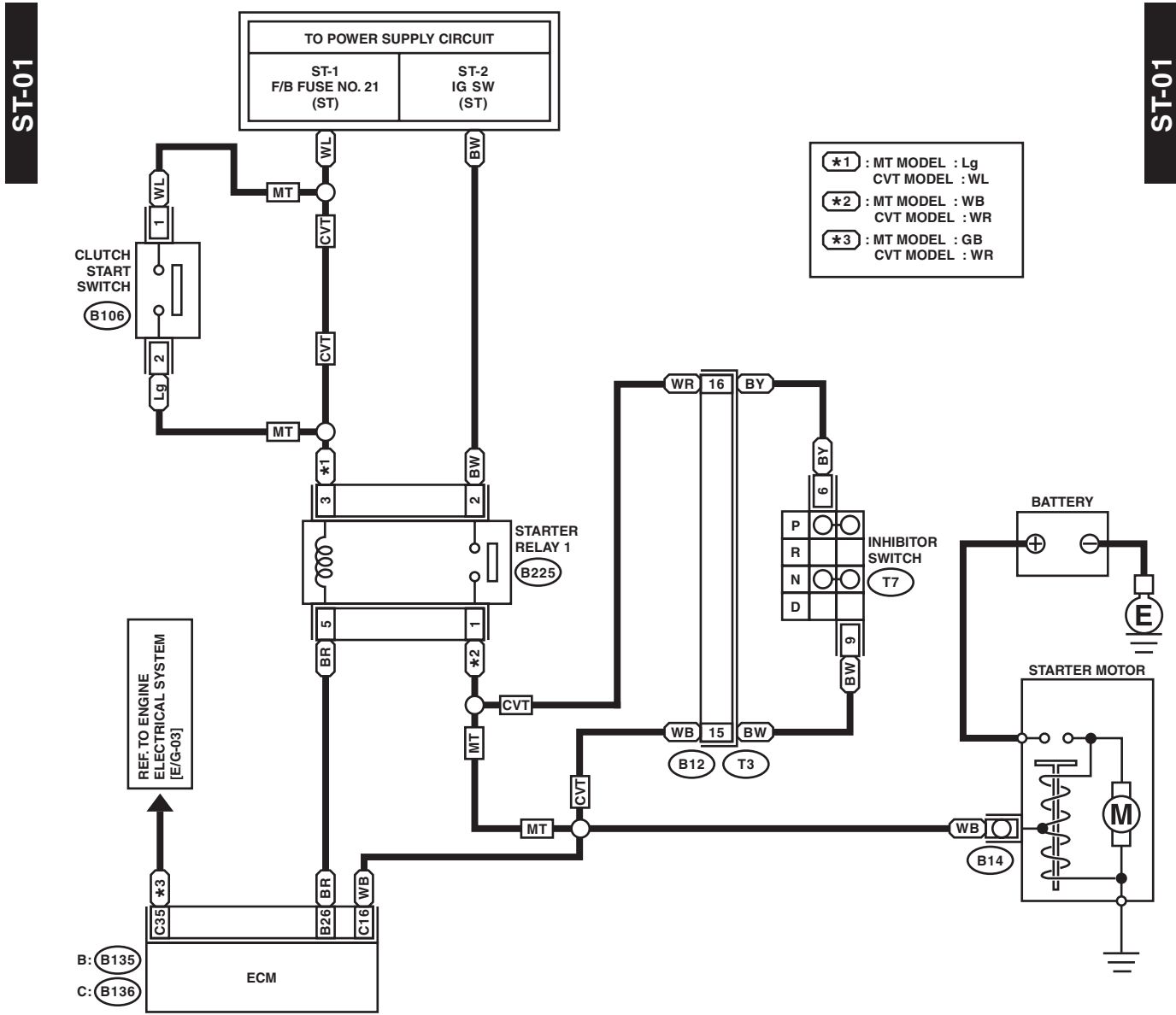


# Starter System

WIRING SYSTEM

## 47. Starter System

### A: WIRING DIAGRAM



WI-34253